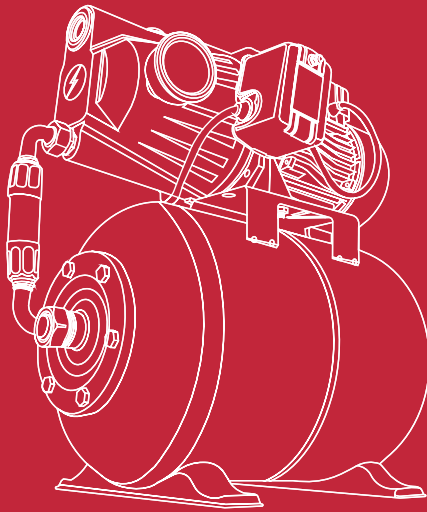


P.I.T.

POG1100-P2



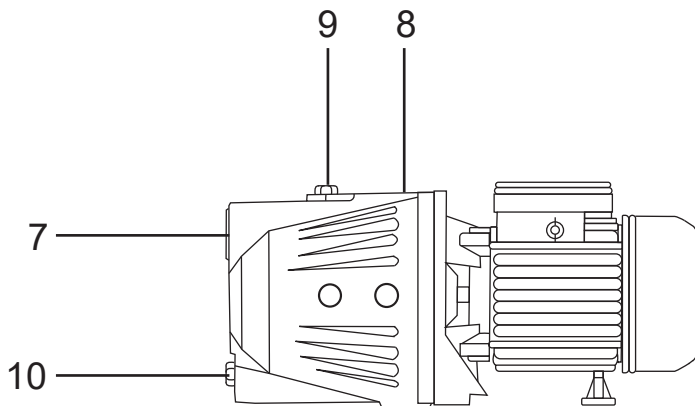
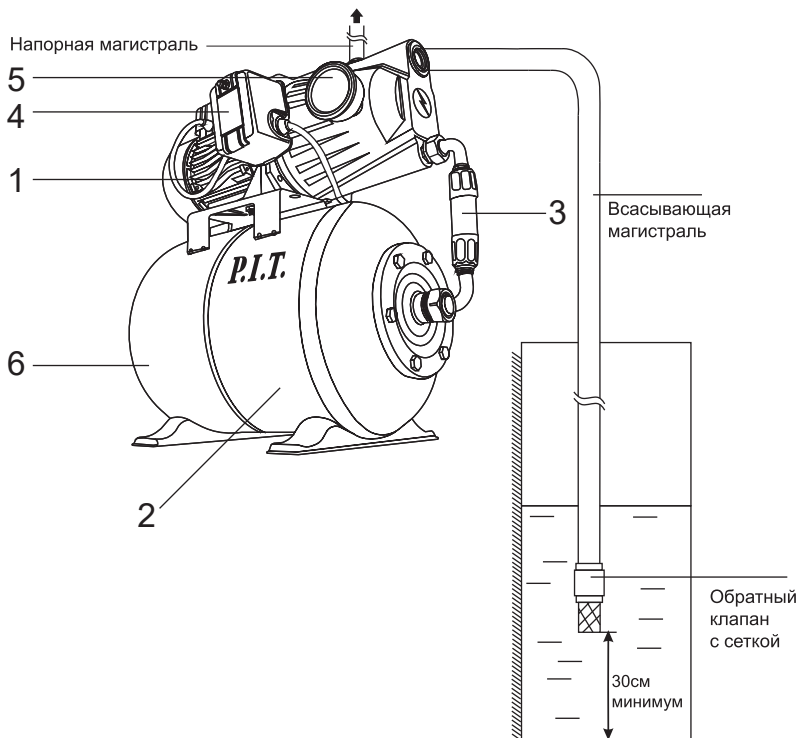
SELF-PRIMING PUMP
ПОВЕРХНОСТНЫЙ НАСОС

1100W

**Powerful
Efficient**

Please read the instruction manual carefully before use!
Пожалуйста, внимательно прочтите инструкцию перед использованием!





English Safety instructions

General power tool safety warnings



WARNING Read all safety warnings and all instructions.

Failure to follow the warnings and instructions may result in electric shock, fire and/or serious injury.

Retain these instructions and directions for future use.

ATTENTION!

- ▶ **Do not use the product without protective grounding!**
- ▶ **Installation of a residual current device (RCD) with a rated leakage current of 30 mA is mandatory!**
- ▶ **The installation of the product and the electrical outlet for connecting it to the mains must be carried out by qualified electricians.**
- ▶ **To avoid accidents, it is strictly forbidden to carry out any repair / maintenance work on the equipment without disconnecting it from the electrical network.**

WARNING

- ▶ **Operation of the surface pump "dry" (without water) is not allowed.**
- ▶ **Do not allow air to enter the suction line.**
- ▶ **The temperature of the pumped-over liquid must be from + 1 ° C to + 35 ° C.**

Important

- ▶ **The installation of electrical equipment for connecting the product must be carried out by qualified specialists in electrical and plumbing work.**
- ▶ **The voltage fluctuation in the electrical network should not exceed $\pm 10\%$.**
- ▶ **Do not repair or disassemble the product yourself.**

Electrical safety

- ▶ **ATTENTION! If the safety instructions are not followed, there is a risk of electric shock.**
- ▶ Check the power cord and plug for damage before using the appliance.
- ▶ All electrical connections must be in a flood-proof location.
- ▶ Unsuitable extension cords can be hazardous. Outdoors, use only approved and appropriately marked extension cords with sufficient wire cross-section.
- ▶ Do not use the mains power cable to transport or fix the instrument.

- ▶ When disconnecting the appliance from the power supply, pull the plug, not the cable.
- ▶ Be careful not to pinch the power cord or rub it against sharp edges.
- ▶ Install the device in a rack and over-fill-proof position.
- ▶ The mains voltage must correspond to the voltage indicated in the technical data.
- ▶ Protect the device from rain and moisture. Penetration of water into the appliance increases the risk of electric shock.
- ▶ Do not point the water jet directly at the pump or other electrical components. Danger to life - possible electric shock.
- ▶ The pump must not be used as a submersible pump.
- ▶ When using the pump near swimming pools, garden ponds or fountains, keep a minimum distance of 2 m and protect the device from slipping into the water.
- ▶ When there are people in the pool or garden pond, do not use the pump.
- ▶ Electrical connections must only be made by a qualified electrician.

Personal safety

- ▶ For safety reasons, persons under the age of 16 or those who have not read this manual must not be allowed to work with the device.
- ▶ The pump is not intended for use by persons with reduced physical or mental capabilities or lack of experience and knowledge of the user, unless he is supervised and instructed in the use of the device by a person responsible for safety.
- ▶ It is forbidden to operate and service the pump while in a state of extreme fatigue, alcoholic, drug intoxication or under the influence of strong medications.
- ▶ Keep children and pets away from the pump while it is running. Children should be supervised to ensure that they do not play with the device.


Safety instructions for working with the pump

- ▶ Any use of the pump in violation of the rules for its operation is considered improper use. Damage resulting from improper use is the sole responsibility of the user.
- ▶ The pump is not intended for professional or industrial use. Long-term continuous use is not allowed.
- ▶ Unauthorized modifications to the pump

design, as well as the use of parts that have not passed the tests and are not approved for use by the manufacturer, are prohibited.

- ▶ It is forbidden to pump explosive, flammable, corrosive or health hazardous substances, as well as water containing mechanical impurities in the form of sand, stones, etc.
- ▶ The pump is not suitable for pumping chlorine-containing water in swimming pools.
- ▶ Not recommended for pumping drinking water.
- ▶ When starting the pump for the first time, ensure that it is completely filled with water. It is not allowed to operate the pump without water consumption.
- ▶ Air entering the suction line is not allowed.
- ▶ To avoid freezing, the water must be completely drained from the pump and from the suction and pressure lines.

Description of product and services

 **Read all safety instructions and instructions.**

Failure to follow the safety instructions and instructions can result in electric shock, fire and / or serious injury.

Please observe the illustrations at the beginning of the operating instructions.

Intended use

The pumping station is designed to provide constant pressure of clean water when arranging water supply systems, watering lawns and irrigating garden plots, as well as for pumping water from tanks or reservoirs.

The design of the pumping station (full automation, rare activation, supply of water under pressure) allows the pumping station to be used as an economical, maintenance-free source of constant water pressure. Large intake depth, water supply height and high performance ensure the versatility of this pumping station for any country house.

Pump device

The general view of the tool is presented on the page with illustrations.

- 1.Pump
- 2.Tank (accumulator)
- 3.High pressure hose
- 4.Pressure switch
- 5.Manometer
- 6.Air valve
- 7.Water inlet
- 8.Water outlet

- 9.Filling hole
- 10.Drain hole

Technical data

Model	POG1100-P2
Rated voltage	220 V~/50 Hz
Rated power	1100 W
Performance	2.8 m³/h
Lifting height	50 m
Suction depth	8 m
Accumulator volume	24 L
The weight	18 Kg

Contents of delivery

- Self-priming pump 1 pc.
- User manual 1 pc.

Note

Text and numbers may contain technical errors and typographical errors. As the product is constantly being improved, P.I.T. reserves the right to make changes to the specifications and equipment of the product specified here without prior notice.

Recommendations for use

During operation, in order to avoid an accident, it is recommended to check from time to time the maximum head and power consumption. A decrease in the maximum head indicates wear, and an increase in energy consumption indicates the presence of mechanical friction in the pumping station.

Check the accumulator air pressure monthly through the air valve

an ordinary car pressure gauge. Before that, you should disconnect the station pump from the network and drain the water from the pressure line.

If the mains voltage goes beyond the permissible limits of 220V ± 10% or the fluctuation in the voltage level is continuous, the pump performance will not correspond to the declared one. In this case, it is recommended to use a mains voltage stabilizer to power the pump.

Preparation for work

Before first use or after long-term storage, check the air pressure in the tank:

- ▶ Check the pressure in the nipple. The pressure should be 1.5 ± 5% Of the atmosphere;
- ▶ In case of insufficient pressure, increase it, with increased pressure, release it,.

Note! Inadequacy of the pressure to the specified value can lead to failure of the tank membrane. This malfunction is not covered by the warranty.

Place the station on a flat horizontal surface and secure through the holes in the supports. Install (if not installed) high pressure hose. Assemble the inlet and outlet ducts.

Connect the suction pipe to the inlet, immerse the pipe in water at a depth of at least 2 m (the distance to the bottom must be at least 0.5 m).

Suction line connection

Attention! The suction line (see fig) must be installed in such a way that it does not exert any mechanical stress or stress on the pump.

Attention! To prevent water from flowing out of the turned off pump, it is imperative to install a non-return valve on the suction pipe (not included in the delivery set).

All threaded connections must be sealed with sealing tape. Air is sucked in through leaks, as a result of which water absorption decreases or stops.

The suction line must have an inner diameter of at least 1 "(25mm). It must be resistant to creases and vacuum.

The suction line should be as short as possible, as the supply power decreases with the increase in the length of the line.

The suction line must constantly rise towards the pump in order to prevent air pockets from forming.

A sufficient water supply must be ensured and the end of the suction line must always be submerged.

Discharge line connection

Attention! The discharge line must be installed in such a way that it does not exert any mechanical stress or stress on the pump.

All threaded connections must be sealed with sealing tape to prevent water leakage.

All parts of the pressure pipeline must withstand the pressure, their installation is carried out by qualified specialists.

Danger! In the presence of fragile parts and improper installation, the pressure pipe may burst during operation. Fluid escaping under pressure can injure you!

To reduce vibrations and noise, the pump must be connected to the pipeline network using flexible connecting hoses.

When installing a pressure water supply, take into account that:

pump performance directly depends on the head (water rise). It is not recommended to use the pump at maximum head - in this case, the water supply will be minimal.

the hydraulic resistance of 10 meters of the horizontal section of the line is equal to ap-

proximately 1 meter of lift.

Electrical connection and grounding

- Electrical work, installation of a socket. Fuses and the connection to the mains power supply must be done by a qualified electrician.
- The pump may only be connected to a properly installed, earthed and tested shockproof socket.

Filling with water:

- Before starting operation, it is necessary to fill the pumping part with water
- Unscrew the filler screw (9)
- Fill the system with water until it fills the pumping part and suction pipe
- Tighten the screw.

Running

Before using for the first time after assembly, open all valves, water taps, nozzles and nozzles to ensure that air is released from the system.

Move the switch to the "I" position. The pump will start pumping water into the system.

Close the shut-off valves in the discharge line when there is no air in the water flowing out of the pump.

The pump will create the required pressure and, after the shutdown pressure is reached, will turn off automatically.

The pump turns on and off automatically - as the water supply is consumed and when the tank is filled.

Note! The cut-in and cut-out pressures are preset at the factory and cannot be changed in the field. Self-adjusting the pressure can lead to product failure. If cases of self-adjustment are identified, the product is removed from the warranty. If necessary, additional adjustment should be carried out by a specialist. by the service center.

A thermal switch is installed at your pumping station to prevent overheating of the pump electric motor and its failure.

Note! Periodic shutdown and reclosing of the station (with constant water consumption) in the absence of visible malfunctions (extraneous noise, drop in supply pressure, etc.) are signs that the thermal switch has tripped. This indicates unfavorable operating conditions: high temperature of the ambient air or inlet water; being in direct sunlight; prolonged significant water consumption, causing the pump to run continuously.

At the end of use, turn off the station by mov-

ing the switch to the "0" position. Remove the plug from the socket.

Before long-term storage of the station, completely empty the tank and pump from water, drain the water through the drain hole (10).

Attention! Before disconnecting hoses ALWAYS relieve pressure by turning on the nearest valve.

Possible problems and malfunctions The station does not start:

- **There is no mains voltage.** Check cable, plug, connectors, fuse.
- **Overheating of the engine due to high temperature of the pumped liquid.** Eliminate the cause of overheating and allow the engine to cool down.
- **Overheating of the engine due to blocked ventilation openings.** Eliminate the cause of overheating and allow the engine to cool down.
- **The residual current device has tripped.** Consult a qualified electrician if the residual current device trips again.
- **Defective engine.** Contact the service center.

Insufficient pressure generated by the pumping station:

- **There is not enough water in the suction line.** Ensure there is water in the suction line.
- **The suction line is not tight.** Check all seals and connections on the suction line.
- **The suction lift is too high.** Reduce the suction lift. The suction head must be subtracted from the head.
- **Leakage between pump hydraulics and motor.** Contact the service center.
- **The pump is clogged or defective.** Flush the hydraulic end of the pump with clean water.
- **Air in the pump or suction pipe.** Fill the pump with water. If the suction line has a non-return valve, fill it with water.
- **The pressure switch settings have changed.**
- **Contact the service center.**
- **The suction line rests against the bottom of the tank.** Fix or shorten the suction line.

The pump does not turn off:

- **Defective On / Off switch.** Contact the service center.

Service

- ▶ Have your electrical equipment repaired only by qualified personnel and only with original spare parts.

The list of authorized service centers can be found on the official website of P.I.T. by the link: <https://pittools.ru/services/>


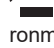
Storage and transportation

Storage:

drain the suction and discharge pipes

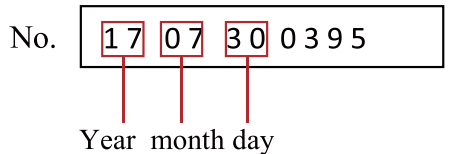
- Unscrew the drain plug and let the water drain out of the pump
- Screw the drain plug again and store the pump and accessories in a frost-protected place, at a temperature of 0 to + 35 ° c and a relative humidity of no more than 80%.
- Products can be transported by any type of closed transport in the manufacturer's packaging or without it, while preserving the product from mechanical damage, atmospheric precipitation.

Dispose of waste

 Damaged power tools, batteries, accessories and waste packaging materials  must be recycled and reused in an environmentally friendly manner.

Do not throw power tools and accumulators / batteries into general household waste!

Product serial number interpretation



The first and second digits of the product serial number from left to right

Year of production, the third and fourth digits indicate the month of production, the fifth and sixth digits indicate the production day.

TERMS OF WARRANTY SERVICE

1. This Warranty Certificate is the only document that confirms your right to free warranty service. Without presenting this certificate, no claims are accepted. In case of loss or damage, the warranty certificate is not restored.

2. The warranty period for the electric machine is 12 months from the date of sale, during the warranty period the service department eliminates manufacturing defects and replaces parts that have failed due to the fault of the manufacturer free of charge. In the warranty repair, an equivalent operable product is not provided. Replaceable parts become property of service providers.

P.I.T is not liable for any damage that may be caused by operation of the electric machine.

3. Only clean tool accompanied with the following duly executed documents: this Warranty Certificate, Warranty Card, with all fields filled out, bearing the stamp of the trade organization and the signature of the buyer, shall be accepted for warranty repair.

4. Warranty repair is not performed in the following cases:

- in the absence of a Warranty Certificate and a Warranty Card or their incorrect execution;
- with failure of both a rotor and a stator of the electric engine, charring or melting of primary winding of the welding machine transformer, charging or starting-charging device, with internal parts melting, burn down of electronic circuit boards;
- if a Warranty Certificate or a Warranty Card does not correspond to this electric machine or to the form established by the supplier;
- upon expiration of the warranty period;
- at attempts of opening or repair of the electric machine outside the warranty workshop; making constructive changes and lubrication of the tool during the warranty period, as evidenced, for example, by the creases on the spline parts of the fasteners of non-rotational parts.
- when using electric tools for production or other purposes connected with making a profit, as well as in case of malfunctions related to instability of the power network parameters exceeding the norms established by GOST;
- in the events of improper operation (use the electric machine for other than intended purposes, attachments to the electric machine of attachments, accessories, etc. not provided by the manufacturer);
- with mechanical damage to the case, power cord and in case of damages caused by aggressive agents and high and low temperatures, ingress of foreign objects in the ventilation grids of the electric machine, as well as in case of damage resulting from improper storage (corrosion of metal parts);
- natural wear and tear on the parts of the electric machine, as a result of long-term operation (determined on the basis of the signs of full or partial depletion of the specified mean life, great contamination, presence of rust outside and inside the electric machine, waste lubricant in the gearbox);
- use of the tool the purposes for other than specified in the operating instructions.
- mechanical damages to the tool;
- in the event of damages due to non-observance of the operating conditions specified in

the instruction (see chapter "Safety Precautions" of the Manual).

- damage to the product due to non-observance of the rules of storage and transportation.

Preventive maintenance of electric machines (cleaning, washing, lubrication, replacement of anthers, piston and sealing rings) during the warranty period is a paid service.

The service life of the product is 3 years. Shelf life is 2 years. It is not recommended for operation after 2 years of storage from the date of manufacture, which is indicated in the serial number on the label of the instrument, without preliminary verification (for the definition of the date of manufacture, see the User's Manual earlier).

The owner is notified of any possible violations of the above terms of warranty service upon completion of diagnostics in the service center.

The owner of the tool entrusts the diagnostic procedure to be conducted in the service center in his absence.

Do not operate the electric machine when there are signs of excessive heat, sparking, or noise in the gearbox. To determine the cause of the malfunction, the buyer should contact the warranty service center.

Malfunctions caused by late replacement of carbon brushes of the engine are eliminated at the expense of the buyer.

5. The warranty does not cover:

- replacement accessories (accessories and components), for example: batteries, discs, blades, drill bits, borers, chucks, chains, sprockets, collet clamps, guide rails, tension and fastening elements, trimming device heads, base of grinding and belt sander machines, hexagonal heads, etc.,
- fast wearing parts, for example: carbon brushes, drive belts, seals, protective covers, guiding rollers, guides, rubber seals, bearings, toothed belts and wheels, shanks, brake belts, starter ratchets and ropes, piston rings, etc. Their replacement during the warranty period is a paid service;
- power cords, in case of damage to the insulation, power cords are subject to mandatory replacement without the consent of the owner (paid service);
- tool case.

Русский

Указания По Технике Безопасности
Общие Указания По Технике Безопасности Для Электроинструментов



ПРЕДУПРЕЖДЕНИЕ

Прочтите все указания и инструкции по технике безопасности.

Несоблюдение указаний и инструкций по технике безопасности может стать причиной поражения электрическим током, пожара и тяжелых травм.

Сохраняйте эти инструкции и указания для будущего использования.

ВНИМАНИЕ!

- ▶ Не допускайте эксплуатации изделия без защитного заземления!
- ▶ Установка устройства защитного отключения (УЗО) номинальным током утечки 30 мА обязательна!
- ▶ Монтаж изделия и электрической розетки для его подключения электросети должны выполнять квалифицированные специалисты по электромонтажным работам.
- ▶ Во избежание несчастных случаев, категорически запрещается производить какие-либо ремонтные/обслуживающие работы на оборудовании без отключения его от электрической сети.

ПРЕДУПРЕЖДЕНИЕ

- ▶ Работа поверхностного насоса «в сухую» (без воды) не допускается.
- ▶ Не допускайте попадания воздуха во всасывающую магистраль.
- ▶ Температура перекачиваемой жидкости должна быть от +1°C до +35°C.

Важно

- ▶ Монтаж электрооборудования для подключения изделия должны выполнять квалифицированные специалисты по электромонтажным и сантехническим работам.
- ▶ Колебание напряжения в электрической сети не должно превышать $\pm 10\%$.
- ▶ Не ремонтируйте и не разбирайте изделие самостоятельно.

Электробезопасность

- ▶ **ВНИМАНИЕ!** При несоблюдении указаний по технике безопасности существует опасность поражения электрическим током.
- ▶ Перед началом работы с прибором проверьте сетевой шнур и штепсельную

вилку на наличие повреждений.

- ▶ Все электрические соединения должны находиться в защищенном от затопления месте.
- ▶ Неподходящие электрические удлинители могут представлять опасность. Вне помещений следует использовать только допущенные для использования и соответственно маркированные электрические удлинители с достаточным поперечным сечением провода.
- ▶ Не используйте сетевой кабель питания для транспортировки или фиксации прибора.
- ▶ При отсоединении прибора от сети питания необходимо тянуть за штепсельную вилку, а не за кабель.
- ▶ Следите за тем, чтобы сетевой кабель не защемлялся и не терся об острые края.
- ▶ Устанавливайте устройство в стойком и защищенном от перелива положении.
- ▶ Напряжение в сети должно соответствовать напряжению, указанному в технических характеристиках.
- ▶ Защищайте прибор от дождя и сырости. Проникновение воды в прибор повышает риск поражения электрическим током.
- ▶ Не направляйте струю воды непосредственно на насос или другие электрические узлы. Опасно для жизни - возможно поражение электрическим током.
- ▶ Нельзя использовать насос как погружной насос.
- ▶ При использовании насоса вблизи плавательных бассейнов, садовых прудов или фонтанов соблюдать минимальное расстояние 2 м и защитить прибор от соскальзывания в воду.
- ▶ Если в бассейне или садовом пруду находятся люди, запрещается использовать насос.
- ▶ Электрические соединения должны выполняться только квалифицированным электриком.

Безопасность людей

- ▶ В целях безопасности лица моложе 16 лет, а также лица, не ознакомившиеся с данным руководством, не должны допускаться до работы с устройством.
- ▶ Насос не предназначен для использования лицами с ограниченными физическими или умственными способностями или при отсутствии у пользователя опыта и знаний, если он не находится


под контролем и не проинструктирован об использовании устройства лицом, ответственным за безопасность.

- ▶ Запрещается эксплуатировать и обслуживать насос, находясь в состоянии сильной усталости, алкогольного, наркотического опьянения или под воздействием сильнодействующих медицинских препаратов.
- ▶ Дети и домашние животные не должны находиться вблизи насоса во время его работы. Следите за тем, чтобы дети не играли с устройством.

Указания по технике безопасности при работе с насосом

- ▶ Любое использование насоса с нарушением правил его эксплуатации считается использованием не по назначению. За ущерб, возникший в результате использования не по назначению, ответственность несёт только пользователь.
- ▶ Насос не предназначен для профессионального или промышленного использования. Не допускается длительное непрерывное использование.
- ▶ Запрещается самовольное внесение изменений в конструкцию насоса, а также использование деталей, не прошедших испытания и не разрешённых к применению изготовителем.
- ▶ Запрещается перекачивание взрывоопасных, горючих, агрессивных или опасных для здоровья веществ, а также воды, содержащей механические примеси в виде песка, камней, и т. п.
- ▶ Насос не предназначен для перекачивания хлорсодержащей воды в плавательных бассейнах.
- ▶ Не рекомендуется для перекачивания питьевой воды.
- ▶ При первом запуске насоса необходимо обеспечить его полное заполнение водой. Не допускается работа насоса без расхода воды.
- ▶ Не допускается попадание воздуха во всасывающую магистраль.
- ▶ Во избежание замерзания необходимо полностью слить воду из насоса, а также всасывающей и напорной магистралей.

Описание продукта и услуг

 Прочтите все указания и инструкции по технике безопасности.

Несоблюдение указаний по технике безопасности и инструкций может привести к

поражению электрическим током, пожару и/или тяжелым травмам.

Пожалуйста, соблюдайте иллюстрации в начале руководства по эксплуатации.

Применение по назначению

Насосная станция предназначена для обеспечения постоянного давления чистой воды при устройстве систем водоснабжения, полива газонов и орошения садовых участков, а также для откачки воды из емкостей или водоёмов.

Конструкция насосной станции (полная автоматизация, редкое включение, запас воды под давлением) позволяет использовать насосную станцию в качестве экономичного, не требующего обслуживания источника постоянного давления воды. Большая глубина забора, высота подачи воды и высокая производительность обеспечивают универсальность данной насосной станции для любого загородного дома.

Устройство насоса

Общий вид инструмента представлен на странице с иллюстрациями.

1. Насос
2. Бак (гидроаккумулятор)
3. Шланг высокого давления
4. Реле давления
5. Манометр
6. Воздушный клапан
7. Штуцер ввода воды
8. Штуцер выхода воды
9. Заливное отверстие
10. Сливное отверстие

Технические данные

Модель	POG1100-P2
Номинальные напряжение/частота	220 В / 50 Гц
Номинальная мощность	1100 Вт
Производительность	2.8 м ³ / ч
Высота подъема	50 м
Глубина всасывания	8 м
Объем гидроаккумулятора	24 л
Вес	18 кг

Комплект поставки

Поверхностный насос 1 шт.
Инструкция пользователя 1 шт.

Примечание

В тексте и цифровых обозначениях могут быть допущены технические ошибки и

опечатки. Так как изделие постоянно совершенствуется, P.I.T. оставляет за собой право на внесение изменений в указанные здесь технические характеристики и комплектацию изделия без предварительного уведомления.

Рекомендации по эксплуатации

Во время эксплуатации, для исключения аварии, рекомендуется проверять время от времени максимальный напор и расход энергии. Уменьшение максимального напора свидетельствует об износе, а повышение расхода энергии о наличии механического трения в насосной станции.

Ежемесячно проверяйте давление воздуха в гидроаккумуляторе через воздушный клапан

обычным автомобильным манометром. Перед этим следует отключить насос станции от сети и слить воду из напорной магистрали.

В случае если напряжение сети выходит за допустимые пределы $220\text{В} \pm 10\%$ или колебание уровня напряжения носит продолжительный характер, производительность насоса не будет соответствовать заявленной. В этом случае, для электропитания насоса рекомендуется использовать стабилизатор сетевого напряжения.

Подготовка к работе

Перед первым использованием или после длительного хранения проверьте давление воздуха в баке:

- ▶ Проверьте давление в ниппеле. Давление должно быть $1.5 \pm 5\%$ Атмосферы;
- ▶ При недостаточном давлении увеличьте его, при увеличенном – стравите

Примечание! Несоответствие давления указанной величины может привести к выходу мембраны бака из строя. Данная неисправность условиями гарантии не поддерживается.

Установите станцию на ровную горизонтальную поверхность и закрепите через отверстие в опорах. Установите (если не установлен) шланг высокого давления. Соберите подводящий и отводящий каналы. Всасывающую трубу подсоедините к входному отверстию, погрузите трубу в воду на глубину не менее 2 м (расстояние до дна должно быть не менее 0.5 м).

Подключение всасывающей линии

Внимание! Всасывающая магистраль (см. рис) должна монтироваться таким образом,

чтобы она не оказывала никакого механического воздействия или напряжения на насос.

Внимание! Чтобы вода не вытекала из отключенного насоса, обязательно нужно устанавливать на всасывающую трубу обратный клапан (в комплект поставки не входит).

Все резьбовые соединения должны быть герметизированы при помощи уплотнительной ленты. Через негерметичные места происходит подсосывание воздуха, в результате чего снижается или прекращается всасывание воды.

Всасывающая линия должна иметь внутренний диаметр не менее 1» (25мм). Она должна быть устойчива к заломам и вакууму.

Всасывающая линия должна быть настолько короткой насколько это возможно, так как с увеличением длины линии уменьшается мощность подачи.

Всасывающая линия должна постоянно подниматься по направлению к насосу, для того чтобы не допустить возникновения воздушных карманов.

Необходимо обеспечить достаточный подвод воды, а конец всасывающей линии должен всегда находиться в воде.

Подключение напорного трубопровода

Внимание! Напорный трубопровод должен монтироваться таким образом, чтобы он не оказывала никакого механического воздействия или напряжения на насос.

Все резьбовые соединения должны быть герметизированы при помощи уплотнительной ленты, чтобы предотвратить утечку воды.

Все детали напорного трубопровода должны выдерживать напор, их монтаж осуществляется квалифицированными специалистами.

Опасности! При наличии непрочных деталей и неквалифицированном монтаже напорный трубопровод может лопнуть во время эксплуатации. Вырывающая под давлением жидкость может травмировать Вас!

Чтобы снизить вибрации и шумы, насос должен подключаться в сети трубопроводов при помощи эластичных соединительных шлангов.

При устройстве напорного водопровода примите во внимание, что:

- ▶ Производительность насоса напрямую зависит от напора (высоты подъема воды). Не рекомендуется использовать насос при максимальном напоре – в этом случае подача воды будет минимальна.
- ▶ Гидравлическое сопротивление 10 метров горизонтального участка магистрали равняется приблизительно 1 метру подъема.

Электрическое подсоединение и заземление

- Электромонтажные работы, установку розетки. Предохранителей и подключение к питающей электросети должен выполнять квалифицированный электрик.
- Насос разрешается подключать только к розеткам с защитным контактом, которые надлежащим образом установлены, заземлены и проверены.

Заполнение водой:

- Перед началом эксплуатации необходимо залить в насосную часть воду
- Открутите винт заливного отверстия (9)
- Заливайте в систему воду, пока она не заполнит насосную часть и всасывающий трубопровод
- Закрутите винт.

Запуск

Перед первым включением после сборки откройте все клапаны, краны водоразбора, распылители и насадки для обеспечения выхода воздуха из системы.

Переведите выключатель в положение «I». Насос начнет накачивать в систему воду. Закройте запоры напорного трубопровода, когда в вытекающей из насоса воде не останется воздуха.

Насос создаст нужное давление и, после того, как будет достигнуто давление отключения, отключится автоматически.

Насос включается и выключается автоматически – по мере расхода запаса воды и при наполнении бака.

Примечание! Значение давлений включения и выключения является предустановленным на заводе и не подлежит изменению в условиях эксплуатации. Самостоятельная регулировка давления может привести к выходу изделия из строя. При выявлении случаев самостоятельной регулировки изделие снимается с гарантии. При необходимости, дополнительная регулировка должна осуществляться специалистами сервисного центра.

На Вашей насосной станции установлен

термовыключатель, предотвращающий перегрев электродвигателя насоса и выход его из строя.

Примечание! Периодическое выключение и повторное включение станции (при постоянном потреблении воды) в отсутствии видимых неисправностей (посторонний шум, падение давления подачи и т. д.) являются признаками срабатывания термовыключателя. Это свидетельствует о неблагоприятных условиях эксплуатации: высокой температуре окружающего воздуха или входной воды; нахождение под прямыми солнечными лучами; продолжительном значительном расходе воды, вызывающем постоянную работу насоса.

По окончании использования выключите станцию, переведя выключатель в положение «0». Выньте вилку из розетки.

Перед длительным хранением станции полностью освободите бак и насос от воды, слив воду через сливное отверстие (10).

Внимание! Перед отсоединением шлангов ОБЯЗАТЕЛЬНО стравите давление, открыв ближайший кран.

Возможные проблемы и неполадки

Станция не запускается:

- **Отсутствует напряжение сети.** Проверьте кабель, вилку, разъемы, предохранитель.
- **Перегрев двигателя из-за высокой температуры перекачиваемой жидкости.** Устраните причину перегрева и дайте двигателю охладиться.
- **Перегрев двигателя из-за перекрытых вентиляционных отверстий.** Устраните причину перегрева и дайте двигателю охладиться.
- **Сработало устройство защитного отключения.** Обратитесь к квалифицированному электрику при повторном срабатывании устройства защитного отключения.
- **Неисправен двигатель.** Обратитесь в сервисный центр.

Недостаточное давление, создаваемое насосной станцией:

- **Недостаточно воды на линии всасывания.** Обеспечьте наличие воды на линии всасывания.
- **Всасывающий трубопровод не герметичен.** Проверьте все уплотнения и места соединения на линии всасывания.
- **Высота всасывания превышает допустимые значения.** Уменьшить вы-

соту всасывания. Высота всасывания должна вычитаться из высоты напора.

- **Утечка между гидравлической частью насоса и двигателем.** Обратитесь в сервисный центр.
- **Насос засорен или неисправен.** Промойте гидравлическую часть насоса чистой водой.
- **Воздух в насосе или всасывающей трубе.** Заполните насос водой. Если всасывающий трубопровод с обратным клапаном, заполните его водой.
- **Изменились настройки реле давления.**

Обратитесь в сервисный центр.

- **Всасывающий трубопровод упирается в дно резервуара.** Закрепите или укоротите всасывающий трубопровод.

Насос не выключается:

- **Неисправен переключатель «Вкл/Выкл».** Обратитесь в сервисный центр.

Техобслуживание и сервис

Техобслуживание и очистка

- ▶ **Все работы по техническому обслуживанию должны проводиться при отключенном от сети кабеле.**

Во время эксплуатации насосная станция не требует никакого обслуживания.

Данная модель оснащена входным фильтром грубой очистки. Необходимо периодически проверять состояние этого фильтра и чистить его по мере загрязнения.

Для этого открутите прозрачную крышку фильтра против часовой стрелки. Достаньте фильтрующий картридж и очистите его.

Не применяйте для чистки фильтра абразивные материалы и агрессивные жидкости. Для исключения аварии рекомендуется время от времени проверять максимальный напор и расход энергии, а также давление воздуха в гидроаккумуляторе (для этого отключите насос и слейте воду из напорной магистрали). Уменьшение максимального напора свидетельствует об износе, а повышение расхода энергии - о наличии механического трения в насосе.

В случае обнаружения этих или иных изменений в работе насоса следует обращаться в сервисный центр.

Сервис

- ▶ **Ремонт вашего электрооборудования поручайте только квалифицированному персоналу и только с применением оригинальных запасных частей.**

Список авторизованных сервисных центров

можно посмотреть на официальном сайте P.I.T. по ссылке: <https://pittools.ru/services/>


Хранение и транспортировка

Хранение:

- Слейте воду из всасывающего и напорного трубопроводов
- Открутите резьбовую пробку сливного отверстия и дайте воде вытечь из насоса
- Снова закрутите резьбовую пробку сливного отверстия и разместите насос и принадлежности на хранение в защищённом от мороза месте, при температуре от 0 до +35°С и относительной влажности не более 80%.

Транспортировать продукцию можно любым видом закрытого транспорта в упаковке производителя или без нее, с сохранением изделия от механических повреждений, атмосферных осадков.

Утилизация

 При утилизации пришедшего в негодность насоса примите все меры, чтобы не нанести вреда окружающей среде.

Не стоит самостоятельно пытаться утилизировать насос. Настоятельно рекомендуется обратиться в специальную службу.

РАСШИФРОВКА ДАТЫ ИЗГОТОВЛЕНИЯ ИЗДЕЛИЯ

№.

1	7	0	7	3	0	0	3	9	5
---	---	---	---	---	---	---	---	---	---

год месяц день

Дата изготовления изделия зашифрована в серийном номере, напечатанном на корпусе инструмента. Первые 2 цифры обозначают год выпуска, следующие 2 цифры - месяц и следующие 2 цифры - день.

УСЛОВИЯ ГАРАНТИЙНОГО ОБСЛУЖИВАНИЯ

1. Настоящее гарантийное свидетельство является единственным документом, подтверждающим ваше право на бесплатное гарантийное обслуживание. Без предъявления данного свидетельства претензии не принимаются. В случае утери или порчи гарантийное свидетельство не восстанавливается.

2. Гарантийный срок на электроинструмент, а также зарядные устройства и аккумуляторные батареи серии OnePower составля-

ет 12 месяцев со дня продажи, в течение гарантийного срока сервисная служба бесплатно устраняет производственные дефекты и производит замену деталей, вышедших из строя по вине изготовителя. На период гарантийного ремонта эквивалентный исправный инструмент не предоставляется. Заменяемые детали переходят в собственность служб сервиса.

Компания P.I.T. не несет ответственности за вред, который может быть причинен при работе с электроинструментом.

3. В гарантийный ремонт инструмент принимается в чистом виде, при обязательном наличии надлежащим образом оформленных документов: настоящего гарантийного свидетельства, гарантийного талона, с полностью заполненными полями, штампом торговой организации и подписью покупателя.

4. Гарантийный ремонт не производится в следующих случаях:

- при отсутствии гарантийного свидетельства и гарантийного талона или неправильном их оформлении;

- при совместном выходе из строя якоря и статора электродвигателя, при обугливании или оплавлении первичной обмотки трансформатора сварочного аппарата, зарядного или пуско-зарядного устройства, при оплавлении внутренних деталей, прожиге электронных плат;

- если гарантийное свидетельство или талон не принадлежат данному электроинструменту или не соответствует установленному поставщиком образцу;

- по истечении срока гарантии;

- при попытках самостоятельного вскрытия или ремонта электроинструмента вне гарантийной мастерской;

- внесения конструктивных изменений и смазки инструмента в гарантийный период, о чем свидетельствуют, например, заломы на шлицевых частях крепежа корпусных деталей.

- при использовании электроинструмента в производственных или иных целях, связанных с получением прибыли, а также при возникновении неисправностей связанных с нестабильностью параметров электросети, превышающих нормы, установленные ГОСТ;

- при неправильной эксплуатации (использование электроинструмента не по назначению, установки на электроинструмент не предназначенных заводом-изготовителем

насадок, дополнительных приспособлений и т.п.;

- при механических повреждениях корпуса, сетевого шнура и при повреждениях, вызванных воздействиями агрессивных средств и высоких и низких температур, попадании инородных предметов в вентиляционные решетки электроинструмента, а также при повреждениях, наступивших в результате неправильного хранения (коррозия металлических частей);

- при выходе из строя электродвигателя, вследствие заклинивания крыльчатки насоса.

- при естественном износе деталей электроинструмента, в результате длительной эксплуатации (определяется по признакам полной или частичной выработки ресурса, сильного загрязнения, ржавчины снаружи и внутри электроинструмента, отработанной смазки в редукторе);

- использование инструмента не по назначению, указанному в инструкции по эксплуатации.

- при механических повреждениях инструмента;

- при возникновении повреждений в связи с несоблюдением предусмотренных инструкцией условий эксплуатации (см. главу «Указание по технике безопасности» в инструкции).

- повреждение изделия вследствие несоблюдения правил хранения и транспортировки.

Профилактическое обслуживание электроинструмента (чистка, промывка, смазка, замена пыльников, поршневых и уплотнительных колец) в гарантийный период является платной услугой.

Срок службы изделия составляет 3 года. Срок хранения – 2 года. Не рекомендуется к эксплуатации по истечении 2 лет хранения с даты изготовления, которая указана в серийном номере на этикетке инструмента, без предварительной проверки (определение даты выпуска смотрите ранее в Руководстве пользователя).

О возможных нарушениях, изложенных выше условий гарантийного обслуживания, владельцу сообщается после проведения диагностики в сервисном центре.

Владелец инструмента доверяет проведение диагностики в сервисном центре в свое отсутствие.

Запрещается эксплуатация электроинструмента при проявлении признаков повы-

шенного нагрева, искрения, а также шума в редукторной части. Для выяснения причин неисправности покупателю следует обратиться в гарантийную мастерскую.

Неисправности, вызванные несвоевременной заменой угольных щеток двигателя, устраняются за счет покупателя.

5.Гарантия не распространяется на:

- сменные принадлежности (аксессуары и оснастка), например: аккумуляторы, диски, ножи, сверла, буры, патроны, цепи, звездочки, цанговые зажимы, шины, элементы натяжения и крепления, головки триммеров, подошвы шлифовальных и ленточных машин, фильтры, головки шестигранные сменные насадки и т.п.

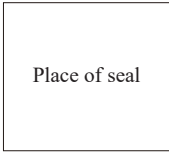
- быстроизнашивающиеся детали, например: угольные щетки, приводные ремни, сальники, защитные кожухи, направляющие ролики, направляющие, резиновые уплотнения, подшипники, зубчатые ремни и колеса, стволы, ленты тормоза, храповики и тросы стартеров, поршневые кольца и т.п.

Замена их в течение гарантийного срока является платной услугой.

-шнуры питания, в случае повреждения изоляции, шнуры питания подлежат обязательной замене без согласия владельца (услуга платная), в т.ч. корпуса инструмента.

P.I.T. WARRANTY CERTIFICATE

Product Name _____
 Product Serial Number
 Charger Serial Number
 Sale Date _____
 Trade Organization Name _____



Dear customer!
 Thank you for purchasing the P.I.T.tool, and we hope that you will be satisfied with your choice. In the process of manufacturing the P.I.T.tools pass multilevel quality control, if nevertheless your product will need maintenance, please contact the authorized P.I.T.service centers.
 Attention!

When buying, ask a seller to check the completeness and operability of the tool, to fill out the Warranty Certificate, the Warranty Card (the boxes shall be filled out by a seller) and to affix the seal of the trade organization in the Guarantee Certificate and the Warranty Card.

Warranty
 By this Warranty Certificate, P.I.T. company guarantees the absence of defects of the production nature.

In the event any of the above defects are detected during the warranty period, the specialized P.I.T. service centers shall repair the product and replace the defective spare parts free of charge.

The warranty period for P.I.T. electric machines is 12 months from the date of sale.

“The warranty maintenance terms acknowledged and accepted. The operability and completeness of the product are checked in my presence. No claims on quality and appearance.”

Buyer’s Signature _____ Surname (legibly) _____

Phone _____

ГАРАНТИЙНОЕ СВИДЕТЕЛЬСТВО НА ИНСТРУМЕНТ P.I.T.

Наименование изделия _____

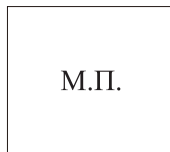
Серийный номер изделия □□□□□□□□□□

Серийный номер зарядного устройства □□□□□□□□□□

Дата продажи « ____ » _____

Наименование торговой организации _____

Уважаемый покупатель!



Благодарим Вас за покупку инструмента P.I.T. и надеемся, что Вы останетесь довольны своим выбором.

При необходимости обслуживания Вашего изделия обращайтесь в авторизованные сервисные центры P.I.T. Все сервисные центры представлены на сайте www.pittools.ru

Внимание!

При покупке требуйте у продавца проверки работоспособности инструмента и его комплектности, а также заполнения гарантийного свидетельства, гарантийного талона (графы «Заполняются продавцом») и простановки печати торговой организации в гарантийном свидетельстве и гарантийных талонах.

Гарантия

На основании данного гарантийного свидетельства компания P.I.T. гарантирует отсутствие дефектов производственного характера.

Если в течение гарантийного срока в Вашем изделии обнаружатся указанные дефекты, то специализированные сервисные центры P.I.T. бесплатно отремонтируют изделие и заменят дефектные запасные части.

Гарантийный срок на электроинструменты P.I.T. составляет 12 месяцев со дня продажи.

«С условиями гарантийного обслуживания ознакомлен(а). Работоспособность и комплектность изделия проверены в моем присутствии. Претензий к качеству и внешнему виду не имею».

Подпись покупателя _____ Фамилия (разборчиво)

Телефон _____

P.I.T. WARRANTY CARD

Name _____ Serial Number _____ Sale Date _____ 20__ Date of Receipt from Repair _____ 20__	P.I.T.		№ 1
	Name _____		
	Serial Number _____		
	Sale Date _____ 20__		
	(Filled out by a Seller)		
	WARRANTY REPAIR CARD		
	Date of Acceptance for Repair _____ 20__		
	Application for Repair _____		
	Customer _____		
	Phone (Address) _____		
	Cause of Application _____		
	Date of Receipt from Repair _____ 20__		
The Tool is checked in my presence _____			
(The Order shall be performed in a Service Center) (Signature)			

Place of Seal

Name _____ Serial Number _____ Sale Date _____ 20__ Date of Receipt from Repair _____ 20__	P.I.T.		№ 2
	Name _____		
	Serial Number _____		
	Sale Date _____ 20__		
	(Filled out by a Seller)		
	WARRANTY REPAIR CARD		
	Date of Acceptance for Repair _____ 20__		
	Application for Repair _____		
	Customer _____		
	Phone (Address) _____		
	Cause of Application _____		
	Date of Receipt from Repair _____ 20__		
The Tool is checked in my presence _____			
(The Order shall be performed in a Service Center) (Signature)			

Place of Seal

Name _____ Serial Number _____ Sale Date _____ 20__ Date of Receipt from Repair _____ 20__	P.I.T.		№ 3
	Name _____		
	Serial Number _____		
	Sale Date _____ 20__		
	(Filled out by a Seller)		
	WARRANTY REPAIR CARD		
	Date of Acceptance for Repair _____ 20__		
	Application for Repair _____		
	Customer _____		
	Phone (Address) _____		
	Cause of Application _____		
	Date of Receipt from Repair _____ 20__		
The Tool is checked in my presence _____			
(The Order shall be performed in a Service Center) (Signature)			

Place of Seal

ГАРАНТИЙНЫЙ ТАЛОН P.I.T.

P.I.T.

Талон № 1

Наименование _____
 Серийный номер _____
 Дата продажи « ____ » _____ 20__ Place of Seal
 (Заполняется продавцом)
 КАРТА ГАРАНТИЙНОГО РЕМОНА
 Дата приема ремонт _____ 20__
 Заявка на ремонт _____
 Заказчик _____
 Телефон (адрес) _____
 Причина обращения _____
 Дата получения от ремонта _____ 20__
 Инструмент проверен в моем присутствии _____
 (Заказ заполняется в Сервисном Центре) (Подпись)

Наименование _____
 Серийный номер _____
 Дата продажи _____ 20__
 Дата получения от ремонта _____ 20__

P.I.T.

Талон № 2

Наименование _____
 Серийный номер _____
 Дата продажи « ____ » _____ 20__ Place of Seal
 (Заполняется продавцом)
 КАРТА ГАРАНТИЙНОГО РЕМОНА
 Дата приема ремонт _____ 20__
 Заявка на ремонт _____
 Заказчик _____
 Телефон (адрес) _____
 Причина обращения _____
 Дата получения от ремонта _____ 20__
 Инструмент проверен в моем присутствии _____
 (Заказ заполняется в Сервисном Центре) (Подпись)

Наименование _____
 Серийный номер _____
 Дата продажи _____ 20__
 Дата получения от ремонта _____ 20__

P.I.T.

Талон № 3

Наименование _____
 Серийный номер _____
 Дата продажи « ____ » _____ 20__ Place of Seal
 (Заполняется продавцом)
 КАРТА ГАРАНТИЙНОГО РЕМОНА
 Дата приема ремонт _____ 20__
 Заявка на ремонт _____
 Заказчик _____
 Телефон (адрес) _____
 Причина обращения _____
 Дата получения от ремонта _____ 20__
 Инструмент проверен в моем присутствии _____
 (Заказ заполняется в Сервисном Центре) (Подпись)

Наименование _____
 Серийный номер _____
 Дата продажи _____ 20__
 Дата получения от ремонта _____ 20__



www.pit-tools.com

P.I.T.

Поставщик / производитель: Xinjiang Longbo Industrial Co., Ltd./Синьцзян Лонгбо Индастриал Ко., Лтд.

Адрес производства: Rm. 602, 6th Floor, No. 531, Weixing Road, Economic And Technological Development Zone, Urumqi, Xinjiang, China / Оф.602, 6 этаж, №531, Вейшинг Род, Экономик Энд Технолоджикал Девелопмент Зон, Урумчи, Синьцзян, Китай

Импортер/ организация, уполномоченная принимать претензии: ООО «Турбо-Тулс»

Юридический адрес: 117246, г. Москва, ул. Херсонская, 43 - 670

Вопросы и предложения направляйте по адресу: 614058, г. Пермь, ул. Фоминская, 36
Горячая линия по сервисному обслуживанию:



*** 2445**

Звонок с мобильного
бесплатный

info@pittools.ru

Сделано в КНР / Made in China

ЕАС