



P.I.T.[®]

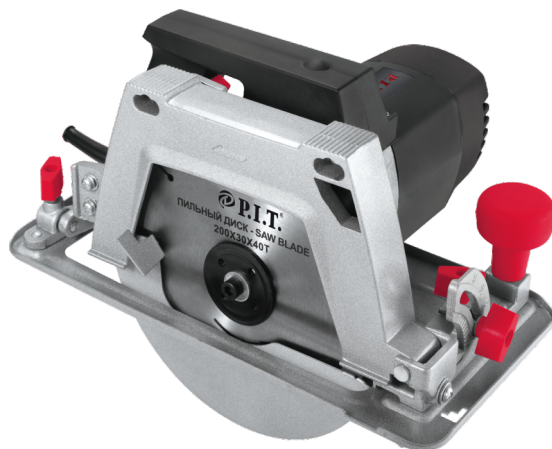
Progressive Innovational Technology

EN PRODUCT PASSPORT
USER'S MANUAL

RU ПАСПОРТ ИЗДЕЛИЯ ИНСТРУКЦИЯ
ПОЛЬЗОВАТЕЛЯ

CIRCULAR SAW

ПИЛА ЦИРКУЛЯРНАЯ ЭЛЕКТРИЧЕСКАЯ



EAC

PKS200-C

PROGRESSIVE INNOVATIONAL TECHNOLOGY

ПРОГРЕССИВНЫЕ ИННОВАЦИОННЫЕ ТЕХНОЛОГИИ



GENERAL SAFETY PRECAUTIONS

Keep your workplace clean. Disorder or unlit areas of the workplace can lead to accidents.

Do not operate this power tool in an explosive environment where flammable liquids, flammable gases or dust are present. During operation, as well as on and off, the tool generates sparks, which can ignite dust or fumes.

During a power tool operation, avoid close to your workplace, children and unauthorized persons. Distracted, you can lose control of the power tool.

The power tool plug must match the power socket. Do not change the plug in any way. Do not use adapter plugs for power tools with protective ground. Unmodified plugs and matching sockets will reduce electric shock risk.

Take the necessary precautions against electric shock. Avoid contact of the tool case with grounded surfaces such as pipes, heating, refrigerators.

Protect the power tool from rain and dampness. The water penetration into the power tool increases the electric shock risk.

Do not use the cord for other purposes, for example, for transportation or hanging of the power tool or to pull the plug from the socket. Protect the cord from high temperatures, oil, sharp edges or moving parts of the power tool. Damaged or tangled cords increase the electric shock risk.

When working outdoors, use an appropriate extension cord. Only use an extension cord that is suitable for outdoor use.

If you cannot avoid using the power tool in a damp location, install the short circuit current interrupter. The application of the short circuit current interrupter reduces the electric shock risk. Be careful, keep an eye on what you are doing, and carefully start operating with the power tool. Do not use the power tool when you are tired or when you are under the influence of drugs, alcohol or medication. One moment of inattention while operating power tools may result in serious personal injury.

Use personal protective equipment and always goggles. The use of personal protective equipment: a protective mask, shoes with non-slip soles, a protective helmet or hearing protection depending on the type of operation of the power tool reduces the risk of injury.

Prevent unintentional activation of the power tool. Before connecting the power tool to the power supply and/or to the battery, make sure that the power tool is turned off. Do not hold the connected tool by the on/off control.

Remove the adjustment tool or wrenches before turning on the power tool. A tool or wrenches located in the rotating part of the power tool may cause injury.

Do not assume an unnatural body position. Always take a stable position and always keep balance. Thanks to this, you can better control the power tool in unexpected situations.

Wear suitable work clothing. Do not wear loose clothing or apparels. Keep hair, clothing, and gloves away from moving parts.

Wide clothes, apparel or long hair can be tightened by rotating parts.

If it is possible to install dust extraction and dust collection devices, check their connection and correct use. The use of a dust pump can reduce the dangers posed by dust. Do not overload the power tool. Use the power tool designed for the purpose of your work. With a suitable power tool, you work better and more reliably in the specified power range.

Do not operate the power tool with a faulty on/off control. A power tool that cannot be turned on or off is dangerous and must be repaired.

Before setting up the power tool, disconnect the plug from the mains socket and/or remove the battery before replacing accessories and stopping operation. This precaution prevents unintentional activation of the power tool.

Keep unused power tools out of the reach of children. Do not allow persons unfamiliar with the power tool or who have not read these manuals to use it. Power tools are dangerous in the hands of inexperienced persons.

Take good care of the power tool. Check the operability and running of the moving parts of the power tool, the absence of 6 breakdowns or damage that adversely affect the operation of the power tool. Damaged parts must be repaired before using the power tool. Poor maintenance of power tools is the cause of a large number of accidents.

Keep the cutting tool sharpened and clean. Carefully groomed cutting tools with sharp cutting edges are less likely to jam and are easier to drive.

Use power tools, accessories, work tools, etc. in accordance with these manuals. Take into account the operating conditions and the operation performed. The use of power tools for unintended work can lead to dangerous situations.

The unused tool should be stored in a dry, closed place, not accessible to children! Do not allow persons who have not read this manual to use the tool.

INTENDED USE

The circular saw is designed for sawing wood and polymer materials. It is possible to work in a stationary mode.

EXPLANATION OF P.I.T. TRADEMARK

P.I.T. Progressive Innovational Technology

Currently, 10 kinds of mechanical and electrical equipment are produced under the P.I.T. trademark. In terms of sales, electric circular saws occupy one of the leading positions.

Each letter and number in the designation of the model has the meaning.

For example, **PKS200-C**

PKS – electric circular saw

200 – disk diameter

C - modification series



MODEL PKS200-C

PRODUCT SPECIFICATIONS

	PKS200-C
Rated voltage	220 V
Rated frequency	50 Hz
Rated output capacity	2,000 W
Speed of rotation	5,500 rpm
Blade depth (cutting depth)	72 mm
<i>diameter of the work headpiece</i>	200 mm
Weight	6.6 kg

FUNCTIONAL CAPABILITIES AND FEATURES OF THE ELECTRIC CIRCULAR SAW

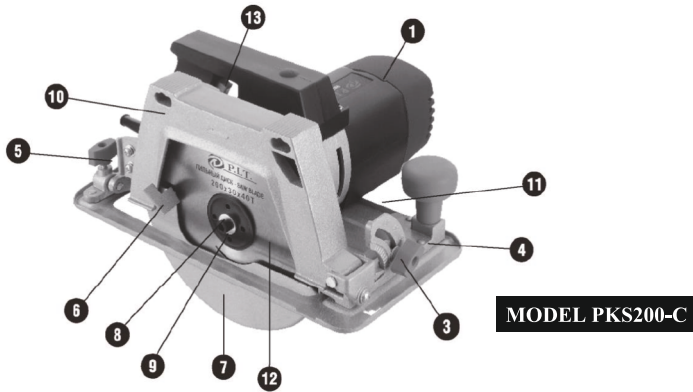
Functional capabilities:

It is possible to change and mount special disks designed to work with laminated and plastic surfaces, as well as sandwich panels and asbestos-cement material, which is usually made of roofing slate. The saw can cut practically any types of construction materials.

Note: ■ – available □ – not available

MODEL	DOUBLE INSULATION	SPARE CARBON BRUSHES	ON/OFF CONTROL WITH SELF-BLOCK	SAW BLADE	FIXED MOUNTING
PKS200-C	■	□	■	■	■

ELECTRIC CIRCULAR SAW PHYSICAL FORM



- | | |
|--------------------------------|------------------------------------|
| 1. Electromotor | 8. Hold-down bolt of the saw blade |
| 2. Handle | 9. Fastener puck |
| 3. Tilt angle adjustment screw | 10. Stationary cover |
| 4. Base | 11. Gage screw |
| 5. Adjustment screw | 12. Saw blade |
| 6. Ripping knife | 13. On/off control |
| 7. Movable protective cover | |

RULES OF OPERATION

ON/OFF

To prevent inadvertent energization, the saw on/off control is locked.

To turn on the power tool, first activate the on/off control lock key at the left of the on/off control, then press the on/off control (13) and release the lock key. To turn off the saw, release the on/off control (10).

The position of the hands during operation

Always hold the circular saw with both hands during operation. The correct and incorrect position of the power tool in the hands is shown in Fig. 1 and 2.

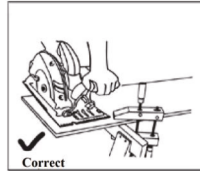


Fig.1

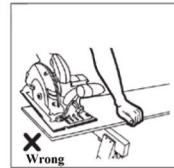


Fig.2

Installing / changing the saw blade

Attention! Before starting the service and setting works of the tool disconnect the plug from the power socket. Wear protective gloves when installing the saw blade. Touching the saw blade may result in injury. Never use grinding wheels as a working tool.

- To change the disk, place the power tool on the side end of the motor case.
- Lock the spindle with the locking lever that located on the tool case.
- With the special wrench included to the package, remove the clamping screw and the outer flange holding the disk.
- Turn the bottom guard clockwise and change the disk.
- Install the saw blade on the inner flange. The cutting direction of the teeth (the direction of the arrow on the saw blade) must be the same as the rotation direction on the guard.
- Lock the spindle.
- Tighten the clamping screw with the hex wrench.
- Tightening torque should be 10-12 Nm, which corresponds to screw down a nut finger-tight plus a quarter turn.

Sawing depth adjustment

The circular saw is equipped with a stepless adjustment of the cutting depth.

A neat and clean cut is obtained when the saw blade protrudes approximately 3 mm beyond the limits of the material being cut. For this:

- Move up the clamping lever for fixing the cutting depth and pull the saw away from the base (3).
- Set the desired size on the scale bar to adjust the cutting depth.
- Lower the adjusting clamping lever.

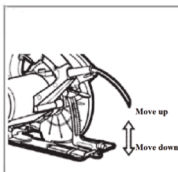


Fig. 3

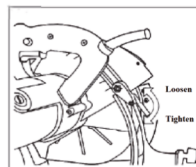


Fig. 4

Saw angle adjustment

Adjusting the sawing angle of the base flange (3) allows you to make beveled cuts. During operation, the base plate (3) should fit tightly to the work surface, thereby reducing vibration and breakage of the saw blade. The circular saw is equipped with stepless adjustment of the bevel angle in the range from 0 to 45 degrees. To set the required sawing angle:

- Loosen the tilt angle adjustment screw (2).
- Use the scale bar to set the sawing angle, set the desired the bevel angle.
- Tighten the adjustment screw (2).
- Check the angle and reliability of the base plate (3).
- It is recommended to check the correct setting of the bevel angle on the non-working material.

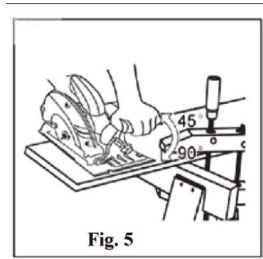


Fig. 5

Installing the parallel guide

The parallel guide makes it possible to perform precise cuts along the workpiece edge and also sawing into equal-sized strips. For this:

- Release the adjustment screw (8).
- Insert the parallel guide into the circular saw base.
- Install the parallel guide to the required indent on the appropriate cut marking.
- Tighten the adjustment screw (8).

The cut marking 0° shows the saw blade position with the rectangular cut. The cut marking 45° shows the saw blade position with the cut in 45°

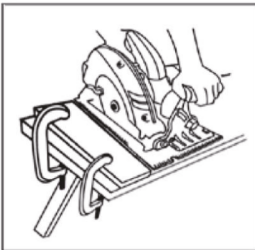


Fig. 6

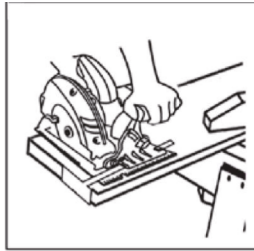


Fig. 7

MAINTENANCE

The circular saw does not require any special maintenance. For extended tool service life, follow the operating, cleaning and storage instructions.

Keep ventilation holes clean. If the saw is dirty, wipe it with a damp cloth. Do not use products containing chlorine, gasoline, solvents, as they damage the plastic of the tool case. After cleaning, wipe the tool with a dry cloth.

All repair work on the tool must be carried out by a qualified specialist of an authorized technical service center with the use of original spare parts.

The use of saw blades with broken geometry can reduce the efficiency of the tool and cause malfunctions in the motor. Replace the saw blades in time.

Regularly check all fasteners, screws on the tool case to make sure they are well tightened. If you lose the screws, replace them immediately with new ones. Failure to do so may result in serious hazards during use.

TERMS OF WARRANTY SERVICE

1. This Warranty Certificate is the only document that confirms your right to free warranty service. Without presenting this certificate, no claims are accepted. In case of loss or damage, the warranty certificate is not restored.

2. The warranty period for the electric machine is 12 months from the date of sale, during the warranty period the service department eliminates manufacturing defects and replaces parts that have failed due to the fault of the manufacturer free of charge. In the warranty repair, an equivalent operable product is not provided. Replaceable parts become property of service providers.

P.I.T. is not liable for any damage that may be caused by operation of the electric machine.

3. Only clean tool accompanied with the following duly executed documents: this Warranty Certificate, Warranty Card, with all fields filled out, bearing the stamp of the trade organization and the signature of the buyer, shall be accepted for warranty repair.

4. Warranty repair is not performed in the following cases:

- in the absence of a Warranty Certificate and a Warranty Card or their incorrect execution;
- with failure of both a rotor and a stator of the electric engine, charring or melting of primary winding of the welding machine transformer, charging or starting-charging device, with internal parts melting, burn down of electronic circuit boards;
- if a Warranty Certificate or a Warranty Card does not correspond to this electric machine or to the form established by the supplier;
- upon expiration of the warranty period;
- at attempts of opening or repair of the electric machine outside the warranty workshop; making constructive changes and lubrication of the tool during the warranty period, as evidenced, for example, by the creases on the spline parts of the fasteners of non-rotational parts.
- when using electric tools for production or other purposes connected with making a profit, as well as in case of malfunctions related to instability of the power network parameters exceeding the norms established by GOST;
- in the events of improper operation (use the electric machine for other than intended purposes, attachments to the electric machine of attachments, accessories, etc. not provided by the manufacturer);
- with mechanical damage to the case, power cord and in case of damages caused by aggressive agents and high and low temperatures, ingress of foreign objects in the ventilation grids of the electric machine, as well as in case of damage resulting from improper storage (corrosion of metal parts);
- natural wear and tear on the parts of the electric machine, as a result of long-term operation (determined on the basis of the signs of full or partial depletion of the specified mean life, great contamination, presence of rust outside and inside the electric machine, waste lubricant in the gearbox);
- use of the tool the purposes for other than specified in the operating instructions.
- mechanical damages to the tool;
- in the event of damages due to non-observance of the operating conditions specified in the instruction (see chapter "Safety Precautions" of the Manual).
- damage to the product due to non-observance of the rules of storage and transportation.

Preventive maintenance of electric machines (cleaning, washing, lubrication, replacement of anthers, piston and sealing rings) during the warranty period is a paid service.

The service life of the product is determined by the manufacturer and is 2 years from the date of manufacture.

The owner is notified of any possible violations of the above terms of warranty service upon completion of diagnostics in the service center.

The owner of the tool entrusts the diagnostic procedure to be conducted in the service center in his absence.

Do not operate the electric machine when there are signs of excessive heat, sparking, or noise in the gearbox. To determine the cause of the malfunction, the buyer should contact the warranty service center.

Malfunctions caused by late replacement of carbon brushes of the engine are eliminated at the expense of the buyer.

5. The warranty does not cover:

- replacement of parts (accessories and furniture), for example: accumulators, disks, knives, drills, bores, cartridges, chains, sprockets, collet clamps, buses, tensioning elements and fasteners, trim tabs, pads of grinders and tape machines, etc.
- quick-wear parts, for example: carbon brushes, drive belts, glands, protective covers, guide rollers, guides/rails, rubber seals, bearings, timing belts and wheels, shafts, brake band, ratchet wheels and starter cables, piston rings, etc. Replacing them during the warranty period is a paid service.
- power cords, in case of insulation damage, power cords are subject to mandatory replacement without the consent of the owner (paid service),
- casing of machine.

P.I.T. WARRANTY CERTIFICATE

Product Name _____

Product Number Serial Number

Place of Seal

Sale Date _____

Trade Organization Name _____

Dear customer!

Thank you for purchasing the P.I.T tool, and we hope that you will be satisfied with your choice. In the process of manufacturing the P.I.T tools pass multilevel quality control, if nevertheless your product will need maintenance, please contact the authorized P.I.T service centers.

Attention!

When buying, ask a seller to check the completeness and operability of the tool, to fill out the Warranty Certificate, the Warranty Card (the boxes shall be filled out by a seller) and to affix the seal of the trade organization in the Guarantee Certificate and the Warranty Card.

Warranty

By this Warranty Certificate, P.I.T. company guarantees the absence of defects of the production nature, both in the product itself and in its constituent components.

In the event any of the above defects are detected during the warranty period, the specialized P.I.T. service centers shall repair the product and replace the defective spare parts free charge.

The warranty period for P.I.T. electric machines is 12 months from the date of sale.

“The warranty maintenance terms acknowledged and accepted. The operability and completeness of the product are checked in my presence. No claims on quality and appearance.”

Buyer's Signature _____ Surname (legibly) _____

Phone _____

ОБЩИЕ МЕРЫ БЕЗОПАСНОСТИ

Содержите рабочее место в чистоте. Беспорядок или неосвещенные участки рабочего места могут привести к несчастным случаям.

Не работайте с этим электроинструментом во взрывоопасном помещении, в котором находятся горючие жидкости, воспламеняющиеся газы или пыль. Во время эксплуатации, а также при включении и выключении инструмент вырабатывает искры, что может привести к воспламенению пыли или паров.

Во время работы с электроинструментом не допускайте близко к Вашему рабочему месту детей и посторонних лиц. Отвлечшись, Вы можете потерять контроль над электроинструментом.

Штепсельная вилка электроинструмента должна соответствовать штепсельной розетке. Никим образом не изменяйте штепсельную вилку. Не применяйте переходных штекеров для электроинструментов с защитным заземлением. Неизменные штепсельные вилки и подходящие штепсельные розетки снижают риск поражения электротоком.

Предпринимайте необходимые меры предосторожности от удара электрическим током. Избегайте контакта корпуса инструмента с заземленными поверхностями, такими как трубы, отопление, холодильники.

Защищайте электроинструмент от дождя и сырости. Проникновение воды в электроинструмент повышает риск поражения электротоком.

Не допускается использовать шнур не по назначению, например, для транспортировки или подвески электроинструмента, или для вытягивания вилки из штепсельной розетки. Защищайте шнур от воздействия высоких температур, масла, острых кромок или подвижных частей электроинструмента. Поврежденный или спутанный шнур повышает риск поражения электротоком.

При работе на свежем воздухе используйте соответствующий удлинитель. Используйте только такой удлинитель, который подходит для работы на улице.

Если невозможно избежать применения электроинструмента в сыром помещении, то устанавливайте выключатель защиты от токов повреждения. Применение выключателя защиты от токов повреждения снижает риск электрического поражения.

Будьте внимательными, следите за тем, что Вы делаете, и продуманно начинайте работу с электроинструментом. Не пользуйтесь электроинструментом в усталом состоянии или, если Вы находитесь под влиянием наркотиков, спиртных напитков или лекарств. Один момент невнимательности при работе с электроинструментом может привести к серьезным травмам.

Применяйте средства индивидуальной защиты и всегда защитные очки. Использование средств индивидуальной защиты: защитной маски, обуви на нескользящей подошве, защитного шлема или средств защиты органов слуха в зависимости от вида работы электроинструмента снижает риск получения травмы.

Предотвращайте непреднамеренное включение электроинструмента. Перед подключением электроинструмента к электропитанию и/или к аккумулятору убедитесь в выключенном состоянии электроинструмента. Не держите подсоединенный инструмент за переключатель.

Убирайте установочный инструмент или гаечные ключи до включения электроинструмента. Инструмент или ключ, находящийся во вращающейся части электроинструмента, может привести к травмам.

Не принимайте неестественное положение корпуса тела. Всегда занимайте устойчивое положение и держите всегда равновесие. Благодаря этому Вы можете лучше контролировать электроинструмент в неожиданных ситуациях.

Носите подходящую рабочую одежду. Не носите широкую одежду и украшения. Держите волосы, одежду и рукавицы вдали от движущихся частей.

Широкая одежда, украшения или длинные волосы могут быть затянуты вращающимися частями.

При наличии возможности установки пылеотсасывающих и пылесборных устройств проверяйте их присоединение и правильное использование. Применение пылесоса может снизить опасности, создаваемые пылью. Не перегружайте электроинструмент. Используйте для Вашей работы предназначенный для этого электроинструмент. С подходящим по характеристикам электроинструментом Вы работаете лучше и надежнее в указанном диапазоне мощности.

Не работайте с электроинструментом с неисправным выключателем. Электроинструмент, который не поддается включению или выключению, опасен и должен быть отремонтирован.

До начала наладки электроинструмента, перед заменой принадлежностей и прекращением работы отключайте штепсельную вилку от розетки сети и/или выньте аккумулятор. Эта мера предосторожности предотвращает непреднамеренное включение электроинструмента.

Храните неиспользуемые электроинструменты недоступно для детей. Не разрешайте пользоваться электроинструментом лицам, которые незнакомы с ним или не читали настоящих инструкций. Электроинструменты опасны в руках неопытных лиц.

Тщательно ухаживайте за электроинструментом. Проверяйте работоспособность и ход движущихся частей электроинструмента, отсутствие 6 поломок или повреждений, отрицательно влияющих на функционирование электроинструмента. Поврежденные части должны быть отремонтированы до использования электроинструмента. Плохое обслуживание электроинструментов является причиной большого числа несчастных случаев.

Держите режущий инструмент в заточенном и чистом состоянии. Заботливо ухоженные режущие инструменты с острыми режущими кромками реже заклиниваются и их легче вести.

Применяйте электроинструмент, принадлежности, рабочие инструменты и т.п. в соответствии с настоящими инструкциями. Учитывайте при этом рабочие условия и выполняемую работу. Использование электроинструментов для непредусмотренных работ может привести к опасным ситуациям.

Неиспользуемый инструмент должен храниться в сухом, закрытом месте, не доступном для детей! Не позволяйте использовать инструмент лицам, которые не ознакомились с настоящей инструкцией.

НАЗНАЧЕНИЕ

Циркулярная пила предназначена для распиловки древесных и полимерных материалов. Есть возможность работать в стационарном режиме.

РАСШИФРОВКА ТОРГОВОЙ МАРКИ P.I.T.

P.I.T.[®] Progressive Innovational Technology (Прогрессивные Инновационные Технологии)

В настоящее время под маркой P.I.T. выпускается механическое и электрическое оборудование 10 видов. По объему продаж циркулярные пилы занимают одно из лидирующих мест.

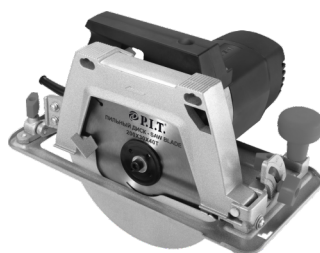
Каждая буква и цифра в обозначении модели имеет значение.

Например, **PKS200-C**

PKS – циркулярная пила

200 – диаметр диска

C – серия модификации



модель PKS200-C

ТЕХНИЧЕСКИЕ ХАРАКТЕРИСТИКИ

	PKS200-C
Номинальное напряжение	220 В
Номинальное частота	50 Гц
Номинальная выходная мощность	2000 Вт
Число оборотов	5500 об/мин
Глубина пропила	72 мм
диаметр рабочей насадки	200 мм
Вес	6,6 кг

ФУНКЦИОНАЛЬНЫЕ ВОЗМОЖНОСТИ И ОСОБЕННОСТИ ПИЛЫ ЦИРКУЛЯРНОЙ

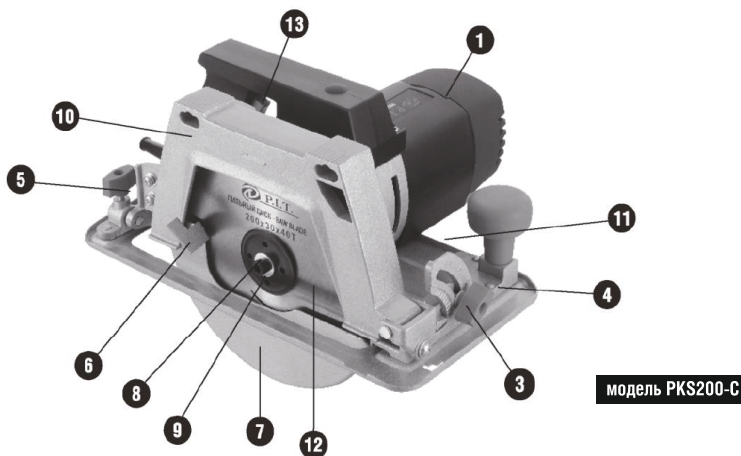
Функциональные возможности:

Предусмотрена возможность смены и монтирования особых дисков, предназначенных для работы с ламинированной и пластиковой поверхностью, а также с сэндвич-панелями и асбестоцементным материалом, из которого обычно изготавливают кровельный шифер. Пила может разрезать практически любые виды стройматериалов.

Примечание: есть отсутствует

Модель	Двойная изоляция	Запасные угольные щетки	Клавиша включения с самоблокировкой	Пильный диск	Стационарное крепление
PKS200-C	<input checked="" type="checkbox"/>	<input type="checkbox"/>	<input checked="" type="checkbox"/>	<input checked="" type="checkbox"/>	<input checked="" type="checkbox"/>

ВНЕШНИЙ ВИД ПИЛЫ ЦИРКУЛЯРНОЙ



1. Электродвигатель
2. Ручка
3. Регулировочный винт угла наклона
4. Основание
5. Регулировочный винт
6. Расклинивающий нож
7. Подвижный защитный кожух

8. Болт крепления пильного диска
9. Прижимная шайба
10. Неподвижный кожух
11. Винт фиксации линейки
12. Пильный диск
13. Выключатель

модель PKS200-C

ПРАВИЛА ЭКСПЛУАТАЦИИ

Включение/выключение

Для предотвращения случайного включения кнопка выключения пилы заблокирована.

Для включения электроинструмента задействуйте сначала кнопку блокировки включения, находящуюся слева от выключателя, затем нажмите выключатель (13) и отпустите кнопку блокировки. Для выключения пилы отпустите выключатель (10).

Положение рук при работе

При работе всегда крепко держите циркулярную пилу обеими руками. Правильное и неверное положение электроинструмента в руках показано на рис.1 и 2.

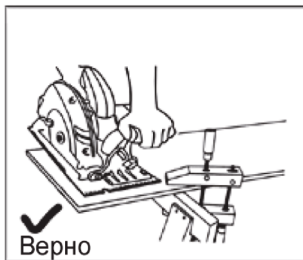


Рис.1

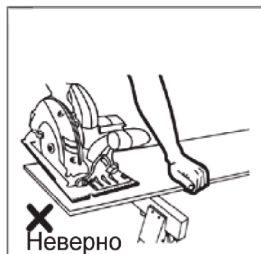


Рис.2

Установка/смена пильного диска

Внимание! До начала работ по обслуживанию и настройке электроинструмента отсоединяйте вилку шнура сети от штепсельной розетки.

При установке пильного диска надевайте защитные перчатки. Прикосновение к пильному диску может привести к травме.

Ни в коем случае не применяйте шлифовальные круги в качестве рабочего инструмента.

– Для смены диска положите электроинструмент на торцовую сторону корпуса двигателя.

– Заблокируйте шпиндель рычагом блокировки, находящимся на корпусе инструмента.

– Специальным ключом, входящим в комплектацию, выверните зажимной винт и внешний фланец, удерживающие диск.

– Поверните нижний защитный кожух по часовой стрелке и поменяйте диск.

– Установите пильный диск на внутренний фланец. Направление резания зубьев (направление стрелки на пильном диске) должно совпадать со стрелкой направления вращения на защитном кожухе.

– Заблокируйте шпиндель.

– Затяните шестигранным ключом зажимной винт.

– Момент затяжки должен составлять 10–12 Нм, что отвечает заворачиванию рукой плюс четверть оборота.

Регулировка глубины пиления

Циркулярная пила оснащена бесступенчатой регулировкой глубины резания.

Аккуратный и чистый рез получается, когда пильный диск выступает за пределы распиливаемого материала примерно на 3 мм. Для этого:

– Поднимите зажимной рычаг фиксации глубины пропила и оттяните пилу от подошвы (3).

– Установите желаемый размер по масштабной линейке для регулировки глубины резания.

– Опустите регулировочный зажимной рычаг.

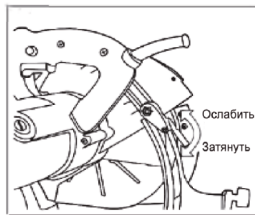
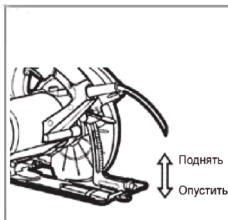


Рис.4

Регулировка угла пиления

Регулировка угла пиления подошвы основания (3) позволяет совершать косоугольные пропилы. Во время работы плита основания(3) должна плотно прилегать к рабочей поверхности, тем самым, уменьшая вибрацию и поломку пильного диска. Циркулярная пила оснащена бесступенчатой регулировкой угла скоса кромки в пределах от 0 до 45 градусов. Чтобы установить требуемый угол пропила:

- Ослабьте винт для настройки угла наклона (2).
- С помощью шкалы масштабной линейки выставления угла пропила установите требуемый угол скоса.
- Затяните регулировочный винт (2).
- Проверьте угол и надежность крепления опорной плиты (3).
- Рекомендуется предварительно проверить правильность настройки угла скоса на нерабочем материале.

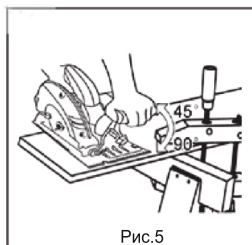


Рис.5

Установка параллельной направляющей

Параллельная направляющая дает возможность выполнять точные пропилы вдоль кромки заготовки и также распиливание на равные по размеру полосы. Для этого:

- Отпустите регулировочный винт (8).
- Вставьте параллельную направляющую в основание циркулярной пилы.
- Установите параллельную направляющую на величину требуемого отступа на соответствующую маркировку реза.
- Затяните регулировочный винт (8).

Маркировка пропила 0° показывает позицию пильного диска при прямоугольном пропилом. Маркировка пропила 45° показывает позицию пильного диска при пропилом в 45°.

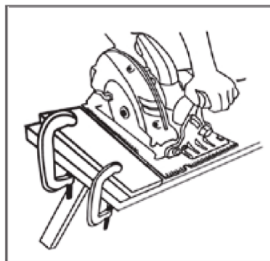


Рис.6

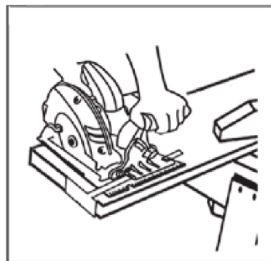


Рис.7

ТЕХНИЧЕСКОЕ ОБСЛУЖИВАНИЕ

Циркулярная пила не нуждается в каком-либо специальном техническом обслуживании.

Для продолжительного срока службы инструмента соблюдайте инструкции по эксплуатации, чистке и хранению.

Держите вентиляционные отверстия чистыми. При загрязнении пилы, протрите ее влажной тряпкой. Не используйте средства, содержащие хлор, бензин, растворители, так как они повреждают пластик корпуса инструмента. После чистки протрите инструмент сухой тряпкой.

Все работы по ремонту инструмента должны выполняться квалифицированным специалистом авторизованного сервисного центра с применением оригинальных запчастей.

Использование пильных дисков с нарушенной геометрией может снизить эффективность работы инструмента и вызвать неисправности в работе мотора. Всегда заменяйте пильные диски.

Регулярно проверяйте все крепежи, винты на корпусе инструмента, чтобы убедиться, что они хорошо подтянуты. При потере винтов, немедленно замените их новыми. Несоблюдение этого правила может вызвать серьезную опасность при использовании.

УСЛОВИЯ ГАРАНТИЙНОГО ОБСЛУЖИВАНИЯ

1. Настоящее гарантийное свидетельство является единственным документом, подтверждающим Ваше право на бесплатное гарантийное обслуживание. Без предъявления данного свидетельства претензии не принимаются. В случае утери или порчи гарантийное свидетельство не восстанавливается.

2. Гарантийный срок на электроинструмент составляет 12 месяцев со дня продажи, в течение гарантийного срока сервисная служба бесплатно устраняет производственные дефекты и производит замену деталей, вышедших из строя по вине изготовителя. На период гарантийного ремонта эквивалентный исправный инструмент не предоставляется. Заменяемые детали переходят в собственность служб сервиса. Компания P.I.T. не несет ответственности за вред, который может быть причинен при работе с электроинструментом.

3. В гарантийный ремонт инструмент принимается в чистом виде, при обязательном наличии надлежащим образом оформленных документов: настоящего гарантийного свидетельства, гарантийного талона, с полностью заполненными полями, штампом торговой организации и подписью покупателя.

4. Гарантийный ремонт не производится в следующих случаях:

- при отсутствии гарантийного свидетельства и гарантийного талона или неправильном их оформлении;
- при совместном выходе из строя якоря и статора электродвигателя, при обугливание или оплавлении первичной обмотки трансформатора сварочного аппарата, зарядного или пуско-зарядного устройства, при оплавлении внутренних деталей, прожиге электронных плат;
- если гарантийное свидетельство или талон не принадлежат данному электроинструменту или не соответствует установленному поставщиком образцу;
- по истечению срока гарантии;
- при попытках самостоятельного вскрытия или ремонта электроинструмента вне гарантийной мастерской; внесения конструктивных изменений и смазки инструмента в гарантийный период, о чем свидетельствуют, например, заломы на шлицевых частях крепежа корпусных деталей.
- при использовании электроинструмента в производственных или иных целях, связанных с получением прибыли, а также – при возникновении неисправностей связанных с нестабильностью параметров электросети, превышающих нормы, установленные ГОСТ;
- при неправильной эксплуатации (использование электроинструмента не по назначению, установки на электроинструмент не предназначенных заводом-изготовителем насадок, дополнительных приспособлений и т.п.;
- при механических повреждениях корпуса, сетевого шнура и при повреждениях, вызванных воздействиями агрессивных средств и высоких и низких температур, попадании инородных предметов в вентиляционные решетки электроинструмента, а также при повреждениях, наступивших в результате неправильного хранения (коррозия металлических частей);
- при естественном износе деталей электроинструмента, в результате длительной эксплуатации (определяется по признакам полной или частичной выработки ресурса, сильного загрязнения, ржавчины снаружи и внутри электроинструмента, отработанной смазки в редукторе);
- использование инструмента не по назначению, указанному в инструкции по эксплуатации.
- при механических повреждениях инструмента;
- при возникновении повреждений в связи с несоблюдением предусмотренных инструкцией условий эксплуатации (см. главу Указание по технике безопасности в инструкции).
- повреждение изделия вследствие несоблюдения правил хранения и транспортировки.

Профилактическое обслуживание электроинструмента (чистка, промывка, смазка, замена пыльников, поршневых и уплотнительных колец) в гарантийный период является платной услугой.

Срок службы изделия установлен изготовителем и составляет 2 года со дня изготовления.

О возможных нарушениях, изложенных выше условий гарантийного обслуживания, владельцу сообщается после проведения диагностики в сервисном центре.

Владелец инструмента доверяет проведение диагностики в сервисном центре в свое отсутствие.

Запрещается эксплуатация электроинструмента при проявлении признаков повышенного нагрева, искрения, а также шума в редукторной части. Для выяснения причин неисправности покупателю следует обратиться в гарантийную мастерскую.

Неисправности, вызванные несвоевременной заменой угольных щеток двигателя, устраняются за счет покупателя.

5. Гарантия не распространяется на:

- сменные принадлежности (аксессуары и оснастка), например: аккумуляторы, диски, ножи, сверла, буры, патроны, цепи, звездочки, цанговые зажимы, шины, элементы натяжения и крепления, головки триммеров, подошвы шлифовальных и ленточных машин, фильтры и т.п.
- быстроизнашивающиеся детали, например: угольные щетки, приводные ремни, сальники, защитные кожухи, направляющие ролики, направляющие, резиновые уплотнения, подшипники, зубчатые ремни и колеса, стволы, ленты тормоза, храповики и тросы стартеров, поршневые кольца и т.п. Замена их в течении гарантийного срока является платной услугой.
- шнуры питания, в случае повреждения изоляции, шнуры питания подлежат обязательной замене без согласия владельца (услуга платная).
- корпуса инструмента.

ГАРАНТИЙНОЕ СВИДЕТЕЛЬСТВО НА ИНСТРУМЕНТ P.I.T.

Наименование изделия _____

Артикул изделия Серийный номер

Дата продажи «__» _____

Наименование торговой организации _____

М.П.

Уважаемый покупатель!

Благодарим Вас за покупку инструмента P.I.T. и надеемся, что Вы останетесь довольны своим выбором. В процессе производства инструменты P.I.T. проходят многоуровневый контроль качества, если тем не менее Ваше изделие будет нуждаться в обслуживании, просим Вас обращаться в авторизированные сервисные центры P.I.T.

Внимание!

При покупке требуйте у продавца проверки комплектности и работоспособности инструмента, заполнение гарантийного свидетельства, гарантийного талона (графы заполняются продавцом) и простановки печати торговой организации в гарантийном свидетельстве и гарантийном талоне.

Гарантия

На основании данного гарантийного свидетельства компания P.I.T. гарантирует отсутствие дефектов производственного характера, как в самом изделии, так и в составляющих его компонентах.

Если в течении гарантийного срока в Вашем изделии тем не менее обнаружатся указанные дефекты, специализированные сервисные центры P.I.T. бесплатно отремонтируют изделие и заменят дефектные запасные части.

Гарантийный срок на электроинструменты P.I.T. составляет 12 месяцев со дня продажи.

«С условиями гарантийного обслуживания ознакомлен(а). Работоспособность и комплектность изделия проверены в моем присутствии. Претензий к качеству и внешнему виду не имею».

Подпись покупателя _____ Фамилия(разборчиво) _____

Телефон _____

P.I.T. WARRANTY CARD

Name _____
 Serial number _____
 The date of sale "" _____
 The date of receipt of the repair 20 _____



Name _____
 Serial number _____
 Date of sale "" _____
 (Filled by seller)

Seal is here

WARRANTY REPAIR CARD

date of acceptance for repair ____ 20 _____.
 Application for repair _____
 Customer _____
 Telephone (address) _____
 The reason for petition _____
 Tool checked in my presence _____
 (The order is filled in the service center) (signature)

Seal is here

Name _____
 Serial number _____
 The date of sale "" _____
 The date of receipt of the repair 20 _____



Name _____
 Serial number _____
 Date of sale "" _____
 (Filled by seller)

Seal is here

WARRANTY REPAIR CARD

date of acceptance for repair ____ 20 _____.
 Application for repair _____
 Customer _____
 Telephone (address) _____
 The reason for petition _____
 Tool checked in my presence _____
 (The order is filled in the service center) (signature)

Seal is here

Name _____
 Serial number _____
 The date of sale "" _____
 The date of receipt of the repair 20 _____



Name _____
 Serial number _____
 Date of sale "" _____
 (Filled by seller)

Seal is here

WARRANTY REPAIR CARD

date of acceptance for repair ____ 20 _____.
 Application for repair _____
 Customer _____
 Telephone (address) _____
 The reason for petition _____
 Tool checked in my presence _____
 (The order is filled in the service center) (signature)

Seal is here

ГАРАНТИЙНЫЙ ТАЛОН P.I.T.

 Наименование _____
 Серийный номер _____
 Дата продажи «__» _____ 20__ г.
 Дата получения из ремонта «__» _____ 20__ г.

 Наименование _____
 Серийный номер _____
 Дата продажи «__» _____ 20__ г.
 (Заполняется продавцом)

М.П.

КАРТА ГАРАНТИЙНОГО РЕМОНТА

 Дата приема в ремонт __ __ 20__ г.
 Заявка на ремонт _____
 Заказчик _____
 Телефон(адрес) _____
 Причина обращения _____
 Дата получения из ремонта __ __ 20__ г.
 Инструмент проверен в моем присутствии _____
 (Заказ заполняется в сервисном центре) (подпись)

М.П.

 Наименование _____
 Серийный номер _____
 Дата продажи «__» _____ 20__ г.
 Дата получения из ремонта «__» _____ 20__ г.

 Наименование _____
 Серийный номер _____
 Дата продажи «__» _____ 20__ г.
 (Заполняется продавцом)

М.П.

КАРТА ГАРАНТИЙНОГО РЕМОНТА

 Дата приема в ремонт __ __ 20__ г.
 Заявка на ремонт _____
 Заказчик _____
 Телефон(адрес) _____
 Причина обращения _____
 Дата получения из ремонта __ __ 20__ г.
 Инструмент проверен в моем присутствии _____
 (Заказ заполняется в сервисном центре) (подпись)

М.П.

 Наименование _____
 Серийный номер _____
 Дата продажи «__» _____ 20__ г.
 Дата получения из ремонта «__» _____ 20__ г.

 Наименование _____
 Серийный номер _____
 Дата продажи «__» _____ 20__ г.
 (Заполняется продавцом)

М.П.

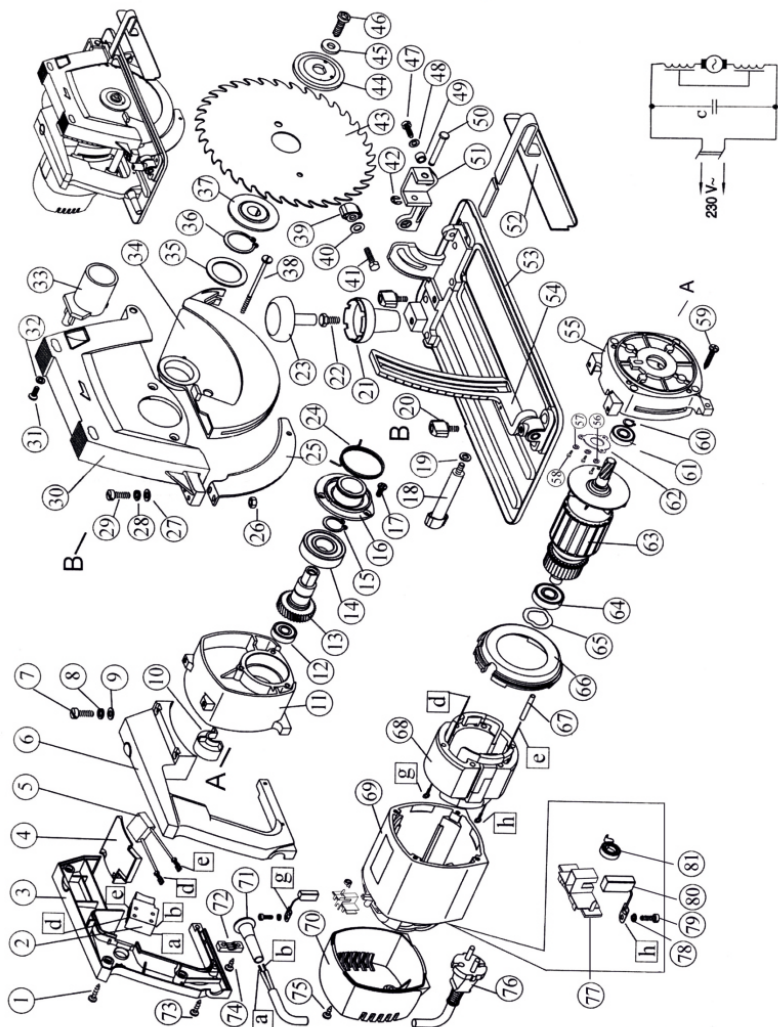
КАРТА ГАРАНТИЙНОГО РЕМОНТА

 Дата приема в ремонт __ __ 20__ г.
 Заявка на ремонт _____
 Заказчик _____
 Телефон(адрес) _____
 Причина обращения _____
 Дата получения из ремонта __ __ 20__ г.
 Инструмент проверен в моем присутствии _____
 (Заказ заполняется в сервисном центре) (подпись)

М.П.

P.I.T. WARRANTY SHEET / ГАРАНТИЙНЫЙ ТАЛОН P.I.T.

PKS200-C





Поставщик: Китай Xinjiang Longbo Industrial Co., Ltd.
Адрес производства: Rm. 602, 6th Floor, No. 531, Weixing Road, Economic And Technological Development Zone, Urumqi, Xinjiang, China
Уполномоченный представитель: ООО "Турбо-Тулс"
Юридический адрес: 614012, Пермский КРАЙ, г. Пермь, ул. Норильская, д. 8

Сделано в КНР/Made in China

