



P.I.T.®
Progressive Innovative Technology

EN PRODUCT PASSPORT
USER'S MANUAL

RU ПАСПОРТ ИЗДЕЛИЯ ИНСТРУКЦИЯ
ПОЛЬЗОВАТЕЛЯ

TILE CUTTER
ПЛИТКОРЕЗ ЭЛЕКТРИЧЕСКИЙ



EAC

PTC180-C

PROGRESSIVE INNOVATIONAL TECHNOLOGY
ПРОГРЕССИВНЫЕ ИННОВАЦИОННЫЕ ТЕХНОЛОГИИ



GENERAL SAFETY PRECAUTIONS

1. Do not use the power tool for any purpose other than those specified in this manual.
2. Do not allow using the power tool by the unqualified persons, non-adult or persons with insufficient physical abilities for operate the power tool.
3. In case of transfer of the power tool to other persons in detail explain about rules of its use and give to study this manual.
4. Do not allow children to contact with the power tool.
5. Do not immerse the power tool or parts of it in water or other liquids.
6. Do not use a power tool if there is a risk of fire or explosion, for example, near flammable liquids or gases.
7. Carry the power tool, holding it only by the base.
8. Do not carry the power tool when it is powered on.
9. Make sure that the mains parameters correspond to the parameters specified on the power tool and in this manual.
10. Connect the power tool to the mains only after you have checked that the on/off control is in the off position.
11. Use personal protective equipment when operating with power tools. If necessary, use a respirator, special gloves, glasses and headphones.
12. When operating with a power tool, it is recommended to wear suitable clothing so that parts of the clothing do not come into contact with the tool. Also, make sure that there is nothing on you that could interfere with the work or cause unwanted consequences.
13. For your safety, it is strongly recommended to work with a power tool placed on a stable flat surface.
14. The cut workpiece must be brought to the saw blade of the power tool only when the engine has gained the maximum turning number.
15. Nothing except for the material to be cut must touch the saw blade when the power tool is powered on.
16. Do not apply excessive force when feeding the workpiece. It is forbidden to keep the cut workpiece on the overhanging.
17. Do not apply lateral pressure to the saw blade.
18. Do not turn the power tool on or off if there is a workpiece on the desktop.
19. Do not leave the power tool running unattended.
20. Always try to keep the workpiece so that dust and small particles do not fly towards the body.
21. It is necessary to ensure effective air cooling of the power tool. It is forbidden to close ventilation openings, it is necessary to watch their purity.
22. Keep the power cord away from the heat source, oil, sharp objects and saw blade.
23. Do not allow children, animals or strangers to enter the work area.
24. When disconnecting the power tool from the mains, hold the plug of the mains cable.
25. Always unplug the power tool when you are not using it.
26. Disconnect the power tool from the mains:
 - in case of any problems;
 - before changing disks or cleaning;
 - after completion of the work.
27. Do not use the power tool after it has been dropped or if it shows any signs of damage, or with a damaged power cord or plug. Contact an authorized technical service center to diagnose or repair the power tool.
28. Immediately disconnect power by pressing the on/off control in an abrupt halt (no voltage in the mains or jamming of a saw blade), overload or overheating of the motor. Disconnect the mains plug from the mains socket.
29. If the mains cable is damaged, it must be replaced by the manufacturer or its agent or a similarly qualified person in order to avoid danger.
Replacement of the mains cable is carried out in an authorized technical service center according to the current rate.
30. Operation and maintenance must be carried out strictly in accordance with this manual.
31. At the end of operation the power tool must be cleaned of dust and dirt.
32. Do not use cleaning agents that may damage the tool surface (gasoline and other aggressive substances).

EXPLANATION OF P.I.T. TRADEMARK

P.I.T. Progressive Innovational Technology

Currently, 10 kinds of mechanical and electrical equipment are produced under the P.I.T. trademark.

Each letter and number in the designation of the model of P.I.T. electric ceramic tile cutter has the meaning.

For example, **PTC80-C**

P – Trademark of P.I.T.

TC – electric ceramic tile cutter

180 – disk diameter

INTENDED USE

Electric ceramic tile cutter stationary PTC180-C is designed for cutting wall and floor ceramic tiles in the framework of household needs. Please note that this tool is not intended for professional work. Use of the tool for other purposes is the basis for refusal of warranty repair.

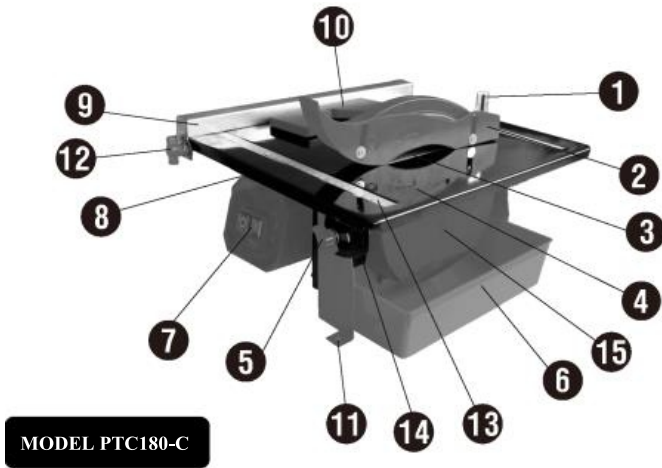
PRODUCT SPECIFICATIONS

Rated voltage	220 V
Disk diameter	180 mm
No-load speed	2,950 rpm
Rated output capacity	650 W
Cutting depth 90°/45°	35/23 mm
Weight	14 kg
Work table size	395x385 mm

FUNCTIONAL CAPABILITIES AND FEATURES

- Ability to grind the edges and set the edges at 45 degrees > for external angles without the use of trimmings;
- Suitable for processing porcelain tile and natural stone;
- Suitable for cutting thin tiles and mosaics or stones of increased thickness

ELECTRIC CERAMIC TILE CUTTER ASSEMBLY



- | | | |
|----------------------------------------------------|----------------------------------------------------|-------------------------------|
| 1. Splitter blade | 7. On/off control | 13. Work table scale |
| 2. Protective cover (upper) | 8. Engine | 14. Work table tilt angle |
| 3. Cutting circle | 9. Parallel limit stop | 15. Protective cover (bottom) |
| 4. Work table | 10. Angular bump | |
| 5. Handle – locking screw for the table tilt angle | 11. Mounting holes | |
| 6. Pallet | 12. The clamping screw for the parallel limit stop | |

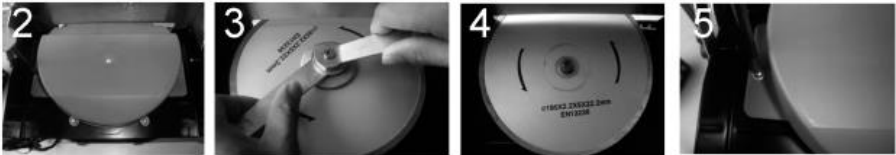
STANDARD SET

1. Operation manual
2. Electric tile cutter stationary
3. Saw blade
4. Wrenches – 2 pcs.
5. Protective cover
6. Gully
7. Parallel limit stop
8. Angular bump
9. Splitter blade with the mounting screw

RULES OF OPERATION

Saw blade installation / replacement

1. Unplug the power tool from the power supply.
2. Remove the protective cover (15) of the saw blade.
3. Using the wrenches, unscrew the nut of the saw blade.
4. Remove the fastener puck and install a new saw blade. Replace the fastener puck.
5. Tighten the nut. Replace the protective cover (15).



Tool on/off

To turn on the tool, connect the mains plug to the wall socket and press the on/off control (7). To power off the tool, press the on/off control again. Then disconnect the plug from the mains.

Cut-off jobs

Before using the tool, pour a sufficient amount of water into a special tray (6).

1. Place the required workpiece on the work table (4) opposite the saw blade (3).
2. Press the on/off control (7) and wait until the engine reaches its maximum speed. Then smoothly start feeding the workpiece along the cutting line.
3. When the cutting process is complete, press the on/off control (7).

Attention!

1. When cutting guide workpiece with a moderate feeding.
2. It is not necessary to press strongly on workpiece, to distort it or to carry out oscillatory displacements. Do not break the saw blade by lateral pressure.
3. Always drive the workpiece against the rotation direction of the saw blade; otherwise there is a risk of uncontrolled exit from the slot.
4. To prevent accidental damage to the power cable during operation, always check the cable position.

Adjusting the parallel limit stop

To perform an accurate longitudinal cut, the workpiece should be pressed against a parallel limit stop (9). To adjust it, loosen the screws (12), set it in the desired position using the scale (13), and tighten the screws.

Cutting angle setting

The cutting angle can be changed from 0° to 45°. Loosen the screws (5) and tilt the work table (4) to the desired angle. Re-tighten the screws (5) on both sides of the work table.

Use of angular bump

The angular bump allows doing a cut at an angle of 45°. Set the parallel limit stop to the desired position. Place the angular bump on the work table, leaning against the parallel limit stop. Insert material for cutting to the angular bump. Slowly start feeding along the parallel limit stop.

MAINTENANCE

1. Every time after the work is finished:

Drain the dirty water from the tray;

Remove the protective cover of the disk and clean it;

After loosening the screws, move the work table and wipe the entire tool.

The tool body and vents should be cleaned from dirt and dust with a soft cloth or napkin. Resistant dirt is recommended to be removed with a soft cloth soaked in soapy water.

2. The use of worn-out saw blades reduces the work efficiency performed and can lead to the failure of the electromotor, so it is necessary to periodically replace the worn discs.

3. Check that all screws are securely fastened on a regular basis. If a loose screw is detected, tighten it immediately. Otherwise, you put yourself at risk of injury.

4. It is necessary to take special care of the electromotor, avoid contact with water or oil in its windings.

5. To clean the case, do not use cleaning agents that may cause rust on the tool metal parts damage the plastic surface.

6. Make sure that the vents are always clean.

7. As a result, carbon brushes are subject to wear. Carefully monitor their condition and replace them in a timely manner (to replace the carbon brushes, contact an authorized technical service center).

TERMS OF WARRANTY SERVICE

1. This Warranty Certificate is the only document that confirms your right to free warranty service. Without presenting this certificate, no claims are accepted. In case of loss or damage, the warranty certificate is not restored.

2. The warranty period for the electric machine is 12 months from the date of sale, during the warranty period the service department eliminates manufacturing defects and replaces parts that have failed due to the fault of the manufacturer free of charge. In the warranty repair, an equivalent operable product is not provided. Replaceable parts become property of service providers.

P.I.T is not liable for any damage that may be caused by operation of the electric machine.

3. Only clean tool accompanied with the following duly executed documents: this Warranty Certificate, Warranty Card, with all fields filled out, bearing the stamp of the trade organization and the signature of the buyer, shall be accepted for warranty repair.

4. Warranty repair is not performed in the following cases:

- in the absence of a Warranty Certificate and a Warranty Card or their incorrect execution;
- with failure of both a rotor and a stator of the electric engine, charring or melting of primary winding of the welding machine transformer, charging or starting-charging device, with internal parts melting, burn down of electronic circuit boards;
- if a Warranty Certificate or a Warranty Card does not correspond to this electric machine or to the form established by the supplier;
- upon expiration of the warranty period;
- at attempts of opening or repair of the electric machine outside the warranty workshop; making constructive changes and lubrication of the tool during the warranty period, as evidenced, for example, by the creases on the spline parts of the fasteners of non-rotational parts.
- when using electric tools for production or other purposes connected with making a profit, as well as in case of malfunctions related to instability of the power network parameters exceeding the norms established by GOST;
- in the events of improper operation (use the electric machine for other than intended purposes, attachments to the electric machine of attachments, accessories, etc. not provided by the manufacturer);
- with mechanical damage to the case, power cord and in case of damages caused by aggressive agents and high and low temperatures, ingress of foreign objects in the ventilation grids of the electric machine, as well as in case of damage resulting from improper storage (corrosion of metal parts);
- natural wear and tear on the parts of the electric machine, as a result of long-term operation (determined on the basis of the signs of full or partial depletion of the specified mean life, great contamination, presence of rust outside and inside the electric machine, waste lubricant in the gearbox);
- use of the tool the purposes for other than specified in the operating instructions.
- mechanical damages to the tool;
- in the event of damages due to non-observance of the operating conditions specified in the instruction (see chapter "Safety Precautions" of the Manual).
- damage to the product due to non-observance of the rules of storage and transportation.

Preventive maintenance of electric machines (cleaning, washing, lubrication, replacement of anthers, piston and sealing rings) during the warranty period is a paid service.

The service life of the product is determined by the manufacturer and is 2 years from the date of manufacture.

The owner is notified of any possible violations of the above terms of warranty service upon completion of diagnostics in the service center.

The owner of the tool entrusts the diagnostic procedure to be conducted in the service center in his absence.

Do not operate the electric machine when there are signs of excessive heat, sparking, or noise in the gearbox. To determine the cause of the malfunction, the buyer should contact the warranty service center.

Malfunctions caused by late replacement of carbon brushes of the engine are eliminated at the expense of the buyer.

5. The warranty does not cover:

- replacement accessories (accessories and components), for example: batteries, discs, blades, drill bits, borers, chucks, chains, sprockets, collet clamps, guide rails, tension and fastening elements, trimming device heads, base of grinding and belt sander machines, filters, etc.,
- fast wearing parts, for example: carbon brushes, drive belts, seals, protective covers, guiding rollers, guides, rubber seals, bearings, toothed belts and wheels, shanks, brake belts, starter ratchets and ropes, piston rings, etc. Their replacement during the warranty period is a paid service;
- power cords, in case of damage to the insulation, power cords are subject to mandatory replacement without the consent of the owner (paid service);
- tool case.

P.I.T. WARRANTY CERTIFICATE

Product Name _____

Place of seal _____

Product Number

Serial Number

Sale Date _____

Trade Organization Name _____

Dear customer!

Thank you for purchasing the P.I.T tool, and we hope that you will be satisfied with your choice. In the process of manufacturing the P.I.T tools pass multilevel quality control, if nevertheless your product will need maintenance, please contact the authorized P.I.T service centers.

Attention!

When buying, ask a seller to check the completeness and operability of the tool, to fill out the Warranty Certificate, the Warranty Card (the boxes shall be filled out by a seller) and to affix the seal of the trade organization in the Guarantee Certificate and the Warranty Card.

Warranty

By this Warranty Certificate, P.I.T. company guarantees the absence of defects of the production nature.

In the event any of the above defects are detected during the warranty period, the specialized P.I.T. service centers shall repair the product and replace the defective spare parts free of charge.

The warranty period for P.I.T. electric machines is 12 months from the date of sale.

“The warranty maintenance terms acknowledged and accepted. The operability and completeness of the product are checked in my presence. No claims on quality and appearance.”

Buyer's Signature _____ Surname (legibly) _____

Phone _____



ОБЩИЕ МЕРЫ БЕЗОПАСНОСТИ

1. Не используйте электроинструмент для любых иных целей, кроме указанных в данном руководстве.
2. Не допускайте использования электроинструмента неквалифицированными, несовершеннолетними лицами или людьми с недостаточными для использования электроинструмента физическими данными.
3. В случае передачи электроинструмента другим лицам подробно расскажите о правилах его использования и дайте ознакомиться с настоящим руководством.
4. Не позволяйте детям контактировать с электроинструментом.
5. Не погружайте электроинструмент или отдельные его части в воду или другие жидкости.
6. Не используйте электроинструмент, если есть риск возгорания или взрыва, например, вблизи легковоспламеняющихся жидкостей или газов.
7. Переносите электроинструмент, держа его только за основание.
8. Не переносите электроинструмент во включенном состоянии.
9. Убедитесь в том, что параметры в сети соответствуют параметрам, указанным на электроинструменте и в настоящем руководстве.
10. Подключайте электроинструмент к сети только после того, как Вы убедитесь в том, что выключатель находится в выключенном положении.
11. При работе с электроинструментом пользуйтесь средствами индивидуальной защиты. В случае необходимости воспользуйтесь респиратором, специальными перчатками, очками и наушниками.
12. При работе с электроинструментом рекомендуется надевать подходящую одежду, чтобы части одежды не контактировали с инструментом. Также убедитесь, что на Вас нет ничего, что могло бы помешать работе или вызвать нежелательные последствия.
13. В целях Вашей безопасности настоятельно рекомендуется работать с электроинструментом, размещенным на устойчивой ровной поверхности.
14. Разрезаемую заготовку необходимо подводить к отрезному диску электроинструмента только когда двигатель набрал максимальное количество оборотов.
15. Ничего, кроме разрезаемого материала, не должно касаться отрезного диска, когда электроинструмент включен.
16. Не прилагайте излишних усилий при подаче заготовки. Запрещено держать разрезаемую заготовку на весу.
17. Запрещается осуществлять боковое давление на отрезной диск.
18. Не включайте и не выключайте электроинструмент при наличии заготовки на рабочем столе.
19. Не оставляйте включенный электроинструмент без внимания.
20. Всегда старайтесь держать заготовку так, чтобы пыль и мелкие частицы не летели в сторону тела.
21. Необходимо обеспечить эффективное воздушное охлаждение электроинструмента. Запрещено закрывать вентиляционные отверстия, следует следить за их чистотой.
22. Держите сетевой кабель вдали от источника нагрева, масла, острых предметов и отрезного диска.
23. Не допускайте присутствия детей, животных или посторонних в рабочей зоне.
24. При отключении электроинструмента от сети держитесь за штекер сетевого кабеля.
25. Всегда отключайте электроинструмент от электросети, когда вы его не используете.
26. Отключайте электроинструмент от электрической сети:
 - в случае любых неполадок;
 - перед сменой дисков или чисткой;
 - после окончания работ.
27. Не пользуйтесь электроинструментом после его падения или если на нем видны какие-либо следы повреждения, а также с поврежденным сетевым кабелем или штекером. Обратитесь в авторизованный сервисный центр для диагностики или ремонта электроинструмента.
28. Немедленно отключите электроинструмент путем нажатия на выключатель при внезапной остановке (отсутствие напряжения в сети или заклинивание отрезного диска), перегрузке или перегреве электродвигателя. Отсоедините штекер сетевого кабеля от электросети.
29. При повреждении сетевого кабеля во избежание опасности его должен заменить изготовитель или его агент, или аналогичное квалифицированное лицо.
30. Замена сетевого кабеля осуществляется в авторизованном сервисном центре согласно действующему тарифу.
30. Работа и техобслуживание должны осуществляться строго в соответствии с данным руководством.
31. По окончании работы электроинструмент необходимо очищать от пыли и грязи.
32. Не используйте чистящие средства, которые могут повредить поверхность инструмента (бензин и прочие агрессивные вещества).

РАСШИФРОВКА ТОРГОВОЙ МАРКИ P.I.T.

P.I.T.[®] Progressive Innovational Technology
(Прогрессивные Инновационные Технологии)

В настоящее время под маркой P.I.T. выпускается механическое и электрическое оборудование 10 видов. Обозначение данной модели плиткореза электрического имеет следующее значение.

Например, **PTC180-C**

P – торговая марка P.I.T.

ТС – плиткорез электрический

180 – диаметр диска 180 мм

НАЗНАЧЕНИЕ

Плиткорез электрический стационарный PTC180-C предназначен для резки настенной и напольной керамической плитки в рамках бытовых нужд. Обращаем Ваше внимание на то, что данный инструмент не предназначен для профессиональных работ. Использование инструмента не по назначению является основанием для отказа в гарантийном ремонте.

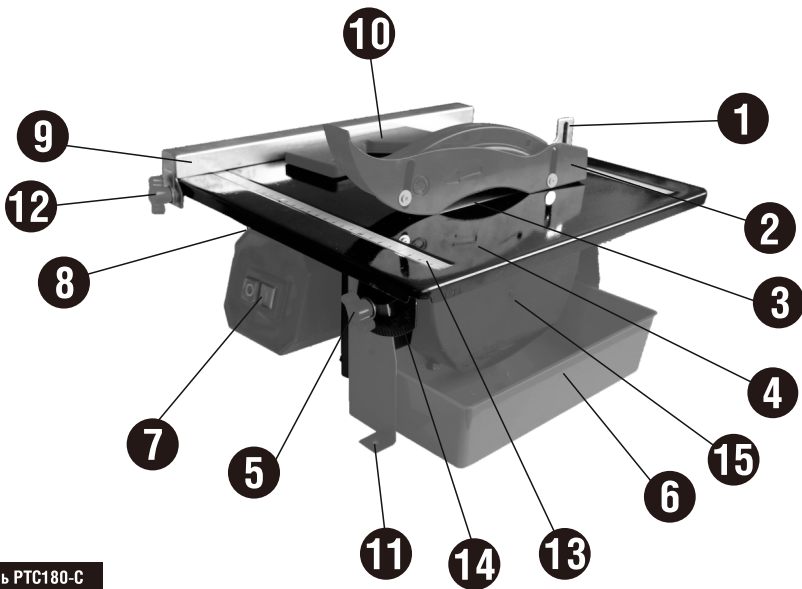
ТЕХНИЧЕСКИЕ ХАРАКТЕРИСТИКИ

Номинальное напряжение	220±5% В
Диаметр диска	180 мм
Число оборотов на холостом ходу	2950 об/мин
Номинальная выходная мощность	650 Вт
Глубина резки 90°/45°	35/23 мм
Вес	14 кг
Размер стола	395x385 мм

ФУНКЦИОНАЛЬНЫЕ ВОЗМОЖНОСТИ И ОСОБЕННОСТИ

- возможность шлифовки краев и задания кромок под 45 градусов > для наружных углов без применения триммов;
- подходит для обработки керамогранита и натурального камня;
- универсальность > пригодны для распила плитки и мозаики или камней повышенной толщины

УСТРОЙСТВО ПЛИТКОРЕЗА ЭЛЕКТРИЧЕСКОГО



модель PTC180-C

- | | | |
|--------------------------------------|---------------------------------------|------------------------------|
| 1. Нож расклинивающий | 7. Выключатель | 13. Шкала рабочего стола |
| 2. Кожух защитный(верхний) | 8. Двигатель | 14. Шкала угла наклона стола |
| 3. Круг отрезной | 9. Упор параллельный | 15. Кожух защитный (нижний) |
| 4. Рабочий стол | 10. Упор угловой | |
| 5. Ручка-винт фиксации наклона стола | 11. Крепежные отверстия | |
| 6. Поддон | 12. Винт зажимной параллельного упора | |

КОМПЛЕКТАЦИЯ

1. Руководство по эксплуатации
2. Плиткорез электрический стационарный
3. Диск отрезной
4. Ключ – 2 шт.
5. Защитный кожух
6. Лоток для воды
7. Параллельный упор
8. Угловой упор
9. Расклинивающий нож винтом крепления

ПРАВИЛА ЭКСПЛУАТАЦИИ

Установка/замена отрезного диска

1. Отключите электроинструмент от сети питания.
2. Снимите защитный кожух (15) отрезного диска.
3. При помощи ключей отвинтите гайку крепления отрезного диска.
4. Снимите прижимную шайбу и установите новый отрезной диск. Установите на место прижимную шайбу.
5. Завинтите гайку. Установите на место защитный кожух (15).



Включение/выключение инструмента

Чтобы включить инструмент, подсоедините штекер сетевого кабеля к розетке и нажмите на выключатель (7). Для отключения инструмента повторно нажмите на выключатель. Затем отключите штекер сетевого кабеля от сети.

Отрезные работы

Перед использованием инструмента необходимо налить достаточное количество воды в специальный лоток (6).

1. На рабочем столе (4) напротив отрезного диска (3) разместите необходимую заготовку.
2. Нажмите на выключатель (7) и дождитесь, пока двигатель наберет максимальное количество оборотов. Затем плавно начинайте подачу заготовки по линии реза.
3. При завершении процесса резки, нажмите на выключатель (7).

ВНИМАНИЕ!

1. При отрезных работах ведите заготовку с умеренной подачей.
2. Не следует сильно давить на заготовку, перекашивать ее или выполнять колебательное движение. Не затормаживайте отрезной диск боковым давлением.
3. Всегда ведите заготовку против направления вращения отрезного диска, в противном случае возникает опасность неконтролируемого выхода из прорези.
4. Чтобы случайно не повредить во время работы сетевой кабель, постоянно следите за его положением.

Регулировка параллельного упора

Для выполнения точного продольного реза заготовку следует прижимать к параллельному упору (9). Для его регулировки ослабьте винты (12), установите его в необходимом положении, пользуясь шкалой (13), и затяните винты.

Установка угла реза

Угол пропила можно изменять в пределах от 0° до 45°. Ослабьте винты (5) и наклоните стол (4) до необходимого угла. Снова затяните винты (5) по обеим сторонам рабочего стола.

Использование углового упора

Угловой упор позволяет делать рез под углом 45°. Установите параллельный упор в нужное положение. Разместите угловой упор на рабочем столе прислонив его к параллельному упору. Вставьте материал для резки в угловой упор. Плавно начинайте подачу вдоль параллельного упора

ТЕХНИЧЕСКОЕ ОБСЛУЖИВАНИЕ

1. Каждый раз по окончании работы необходимо:

слить грязную воду из лотка;

снять защитный кожух диска и очистить его;

ослабив винты, сместить рабочий стол и протереть весь инструмент. Корпус инструмента и вентиляционные отверстия следует протирать от грязи и пыли мягкой тканью или салфеткой. Устойчивые загрязнения рекомендуется устранять при помощи мягкой ткани, смоченной в мыльной воде.

2. Использование изношенных отрезных дисков снижает эффективность выполняемой работы и может привести к выходу из строя электродвигателя, поэтому необходимо периодически заменять износившиеся диски.

3. Регулярно проверяйте надежность крепления всех винтов. При обнаружении ослабленного винта немедленно затяните его. В противном случае Вы подвергаете себя риску получения травмы.

4. Необходимо особенно бережно относиться к электродвигателю, избегать попадания воды или масла в его обмотки.

5. Для чистки корпуса не следует использовать чистящие средства, которые могут привести к образованию ржавчины на металлических частях изделия или повредить пластиковую поверхность.

6. Следите за тем, чтобы вентиляционные отверстия всегда были чистыми.

7. В результате работы угольные щетки подвержены износу. Внимательно следите за их состоянием и своевременно заменяйте (для замены угольных щеток необходимо обращаться в авторизованный сервисный центр).

УСЛОВИЯ ГАРАНТИЙНОГО ОБСЛУЖИВАНИЯ

1. Настоящее гарантийное свидетельство является единственным документом, подтверждающим Ваше право на бесплатное гарантийное обслуживание. Без предъявления данного свидетельства претензии не принимаются. В случае утери или порчи гарантийное свидетельство не восстанавливается.
 2. Гарантийный срок на электроинструмент составляет 12 месяцев со дня продажи, в течение гарантийного срока сервисная служба бесплатно устраняет производственные дефекты и производит замену деталей, вышедших из строя по вине изготовителя. На период гарантийного ремонта эквивалентный исправный инструмент не предоставляется. Заменяемые детали переходят в собственность служб сервиса. Компания P.I.T. не несет ответственности за вред, который может быть причинен при работе с электроинструментом.
 3. В гарантийный ремонт инструмент принимается в чистом виде, при обязательном наличии надлежащим образом оформленных документов: настоящего гарантийного свидетельства, гарантийного талона, с полностью заполненными полями, штампом торговой организации и подписью покупателя.
 4. Гарантийный ремонт не производится в следующих случаях:
 - при отсутствии гарантийного свидетельства и гарантийного талона или неправильном их оформлении;
 - при совместном выходе из строя якоря и статора электродвигателя, при обугливание или оплавлении первичной обмотки трансформатора сварочного аппарата, зарядного или пуско-зарядного устройства, при оплавлении внутренних деталей, прожиге электронных плат;
 - если гарантийное свидетельство или талон не принадлежат данному электроинструменту или не соответствует установленному поставщиком образцу;
 - по истечении срока гарантии;
 - при попытках самостоятельного вскрытия или ремонта электроинструмента вне гарантийной мастерской; внесения конструктивных изменений и смазки инструмента в гарантийный период, о чем свидетельствуют, например, заломы на шлицевых частях крепежа корпусных деталей.
 - при использовании электроинструмента в производственных или иных целях, связанных с получением прибыли, а также – при возникновении неисправностей связанных с нестабильностью параметров электросети, превышающих нормы, установленные ГОСТ;
 - при неправильной эксплуатации (использование электроинструмента не по назначению, установки на электроинструмент не предназначенных заводом-изготовителем насадок, дополнительных приспособлений и т.п.);
 - при механических повреждениях корпуса, сетевого шнура и при повреждениях, вызванных воздействиями агрессивных средств и высоких и низких температур, попадании инородных предметов в вентиляционные решетки электроинструмента, а также при повреждениях, наступивших в результате неправильного хранения(коррозия металлических частей);
 - при естественном износе деталей электроинструмента, в результате длительной эксплуатации(определяется по признакам полной или частичной выработки ресурса, сильного загрязнения, ржавчины снаружи и внутри электроинструмента, отработанной смазки в редукторе);
 - использование инструмента не по назначению, указанному в инструкции по эксплуатации.
 - при механических повреждениях инструмента;
 - при возникновении повреждений в связи с несоблюдением предусмотренных инструкцией условий эксплуатации(см. главу Указание по технике безопасности в инструкции).
 - повреждение изделия вследствие несоблюдения правил хранения и транспортировки.
- Профилактическое обслуживание электроинструмента (чистка, промывка, смазка, замена пыльников, поршневых и уплотнительных колец) в гарантийный период является платной услугой.
- Срок службы изделия установлен производителем и составляет 2 года со дня изготовления.
- О возможных нарушениях, изложенных выше условий гарантийного обслуживания, владельцу сообщается после проведения диагностики в сервисном центре.
- Владелец инструмента доверяет проведение диагностики в сервисном центре в свое отсутствие.
- Запрещается эксплуатация электроинструмента при появлении признаков повышенного нагрева, искрения, а также шума в редукторной части. Для выяснения причин неисправности покупателю следует обратиться в гарантийную мастерскую.
- Неисправности, вызванные несвоевременной заменой угольных щеток двигателя, устраняются за счет покупателя.
5. Гарантия не распространяется на:
 - сменные принадлежности (аксессуары и оснастка), например: аккумуляторы, диски, ножи, сверла, буры, патроны, цепи, звездочки, цанговые зажимы, шины, элементы натяжения и крепления, головки триммеров, подошвы шлифовальных и ленточных машин, фильтры и т.п.
 - быстроизнашивающиеся детали, например: угольные щетки, приводные ремни, сабельники, защитные кожухи, направляющие ролики, направляющие, резиновые уплотнения, подшипники, зубчатые колеса, стволы, ленты тормоза, храповики и тросы стартеров, поршневые кольца и т.п. Замена их в течении гарантийного срока является платной услугой.
 - шнуры питания, в случае повреждения изоляции, шнуры питания подлежат обязательной замене без согласия владельца (услуга платная).
 - корпуса инструмента.

ГАРАНТИЙНОЕ СВИДЕТЕЛЬСТВО НА ИНСТРУМЕНТ P.I.T.

Наименование изделия _____
Артикул изделия
Серийный номер
Дата продажи «__» _____
Наименование торговой организации _____

М.П.

Уважаемый покупатель!

Благодарим Вас за покупку инструмента P.I.T. и надеемся, что Вы останетесь довольны своим выбором. В процессе производства инструменты P.I.T. проходят многоуровневый контроль качества, если тем не менее Ваше изделие будет нуждаться в обслуживании, просим Вас обращаться в авторизованные сервисные центры P.I.T.

Внимание!

При покупке требуйте у продавца проверки комплектности и работоспособности инструмента, заполнение гарантийного свидетельства, гарантийного талона(графы заполняются продавцом) и простановки печати торговой организации в гарантийном свидетельстве и гарантийном талоне.

Гарантия

На основании данного гарантийного свидетельства компания P.I.T. гарантирует отсутствие дефектов производственного характера.

Если в течении гарантийного срока в Вашем изделии тем не менее обнаружатся указанные дефекты, специализированные сервисные центры P.I.T. бесплатно отремонтируют изделие и заменят дефектные запасные части.

Гарантийный срок на электроинструменты P.I.T. составляет 12 месяцев со дня продажи.

«С условиями гарантийного обслуживания ознакомлен(а). Работоспособность и комплектность изделия проверены в моем присутствии. Претензий к качеству и внешнему виду не имею».

Подпись покупателя _____ Фамилия(разборчиво) _____

Телефон _____



P.I.T. WARRANTY CARD

Name _____
Serial number _____
The date of sale 20 _____
The date of receipt of the repair 20 _____



Name _____
Serial number _____
Date of sale "" _____
(Filled by seller)

Seal is here

WARRANTY REPAIR CARD
date of acceptance for repair ____20_____
Application for repair _____
Customer _____
Telephone (address) _____
The reason for petition _____
Tool checked in my presence _____
(The order is filled in the service center) (signature)

Seal is here

Name _____
Serial number _____
The date of sale 20 _____
The date of receipt of the repair 20 _____



Name _____
Serial number _____
Date of sale "" _____
(Filled by seller)

Seal is here

WARRANTY REPAIR CARD
date of acceptance for repair ____20_____
Application for repair _____
Customer _____
Telephone (address) _____
The reason for petition _____
Tool checked in my presence _____
(The order is filled in the service center) (signature)

Seal is here

Name _____
Serial number _____
The date of sale 20 _____
The date of receipt of the repair 20 _____



Name _____
Serial number _____
Date of sale "" _____
(Filled by seller)

Seal is here

WARRANTY REPAIR CARD
date of acceptance for repair ____20_____
Application for repair _____
Customer _____
Telephone (address) _____
The reason for petition _____
Tool checked in my presence _____
(The order is filled in the service center) (signature)

Seal is here



ГАРАНТИЙНЫЙ ТАЛОН P.I.T.

Наименование _____
Серийный номер _____
Дата продажи «__» _____ 201__ г.
Дата получения из ремонта «__» _____ 201__ г.



Наименование _____
Серийный номер _____
Дата продажи «__» _____ 201__ г.
(Заполняется продавцом)

М.П.

КАРТА ГАРАНТИЙНОГО РЕМОНТА __
Дата приема в ремонт __ _____ 201__ г.
Заявка на ремонт _____
Заказчик _____
Телефон(адрес) _____
Причина обращения _____
Дата получения из ремонта __ _____ 201__ г.
Инструмент проверен в моем присутствии _____
(Заказ заполняется в сервисном центре) (подпись)

М.П.

Наименование _____
Серийный номер _____
Дата продажи «__» _____ 201__ г.
Дата получения из ремонта «__» _____ 201__ г.



Наименование _____
Серийный номер _____
Дата продажи «__» _____ 201__ г.
(Заполняется продавцом)

М.П.

КАРТА ГАРАНТИЙНОГО РЕМОНТА __
Дата приема в ремонт __ _____ 201__ г.
Заявка на ремонт _____
Заказчик _____
Телефон(адрес) _____
Причина обращения _____
Дата получения из ремонта __ _____ 201__ г.
Инструмент проверен в моем присутствии _____
(Заказ заполняется в сервисном центре) (подпись)

М.П.

Наименование _____
Серийный номер _____
Дата продажи «__» _____ 201__ г.
Дата получения из ремонта «__» _____ 201__ г.



Наименование _____
Серийный номер _____
Дата продажи «__» _____ 201__ г.
(Заполняется продавцом)

М.П.

КАРТА ГАРАНТИЙНОГО РЕМОНТА __
Дата приема в ремонт __ _____ 201__ г.
Заявка на ремонт _____
Заказчик _____
Телефон(адрес) _____
Причина обращения _____
Дата получения из ремонта __ _____ 201__ г.
Инструмент проверен в моем присутствии _____
(Заказ заполняется в сервисном центре) (подпись)

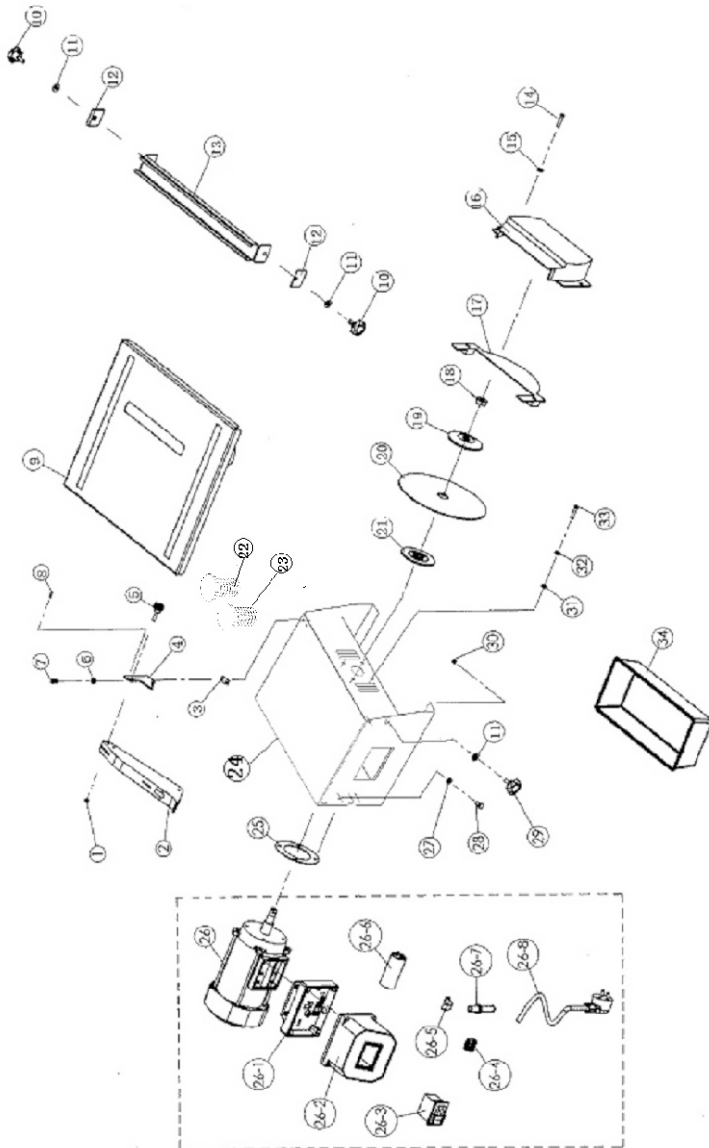
М.П.



P.I.T. WARRANTY SHEET / ГАРАНТИЙНЫЙ ТАЛОН P.I.T.



РТС180-С





Поставщик: Китай Xinjiang Longbo Industrial Co., Ltd.
Адрес производства: Rm. 602, 6th Floor, No. 531, Weixing Road, Economic And Technological Development Zone, Urumqi, Xinjiang, China
Уполномоченный представитель: ООО "Турбо-Тулс"
Юридический адрес: 614012, Пермский КРАЙ, г. Пермь, ул. Норильская, д. 8

Сделано в КНР/Made in China

