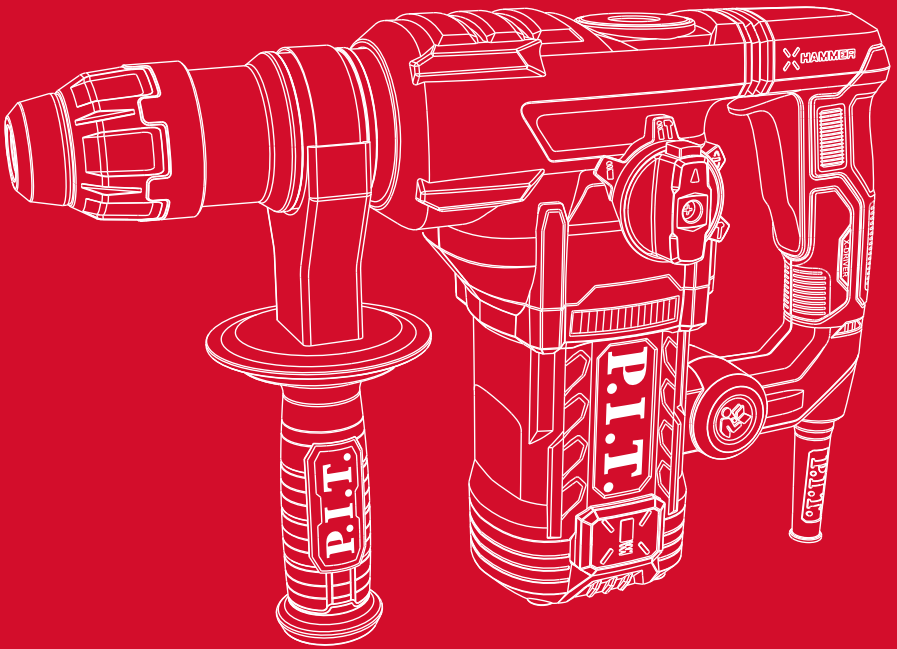


# P.I.T.

## PBH32-C6



### ELECTRIC HAMMER DRILL

ПЕРФОРАТОР

**1500W**

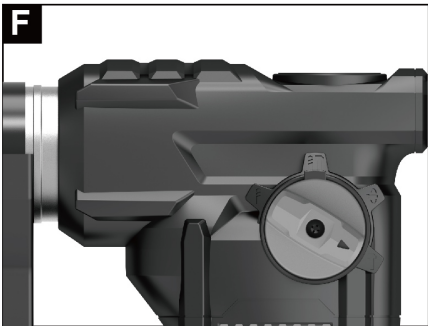
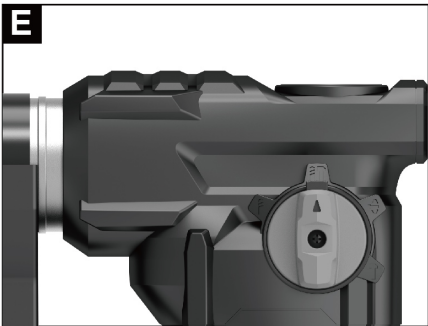
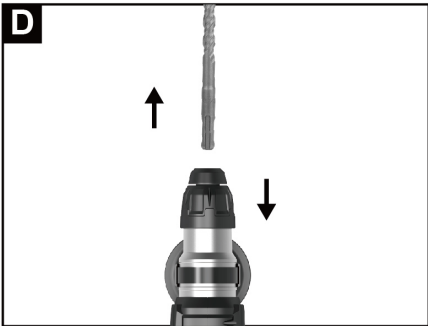
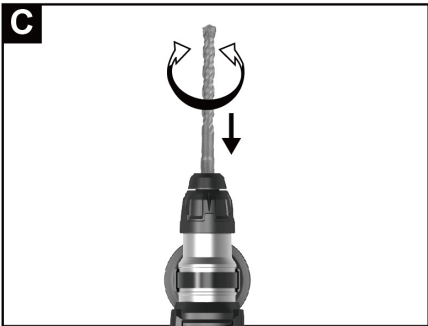
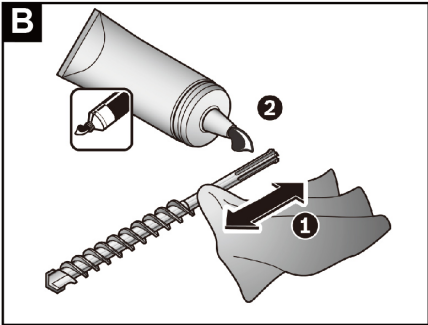
**Powerful  
Efficient**

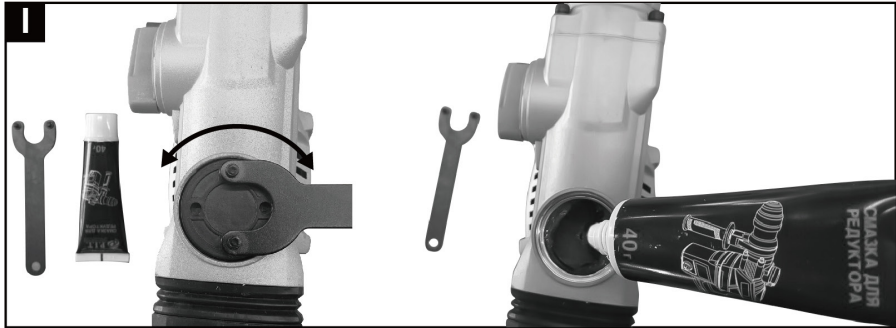
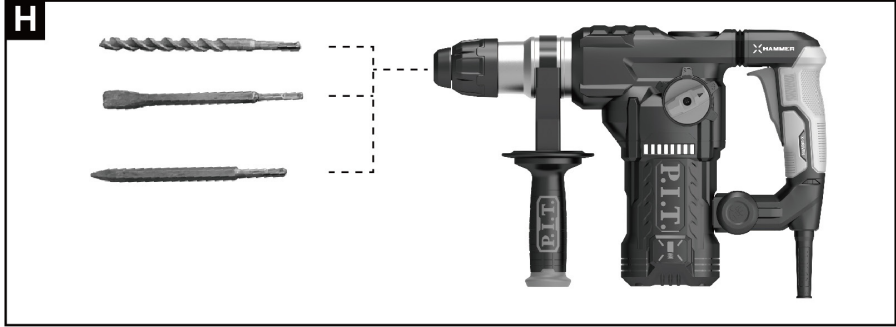
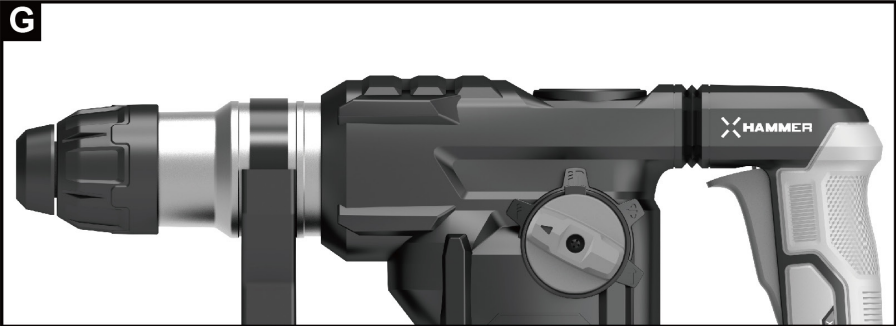
Please read the instruction manual carefully before use!

Пожалуйста, внимательно прочтите инструкцию перед использованием!









## English

### Safety notes

#### General power tool safety warnings



#### **WARNING** Read all safety warnings and all instructions.

Failure to follow the warnings and instructions may result in electric shock, fire and/or serious injury.

**Save all warnings and instructions for future reference.** The term “power tool” in the warnings refers to your mains- operated (corded) power tool or battery-operated (cordless) power tool.

#### Work area safety

- ▶ Keep work area clean and well lit. Cluttered or dark areas invite accidents.
- ▶ Do not operate power tools in explosive atmospheres, such as in the presence of flammable liquids, gases or dust. Power tools create sparks which may ignite the dust or fumes.
- ▶ Keep children and bystanders away while operating a power tool. Distractions can cause you to lose control.

#### Electrical safety

- ▶ Power tool plugs must match the outlet. Never modify the plug in any way. Do not use any adapter plugs with earthed (grounded) power tools. Unmodified plugs and matching outlets will reduce risk of electric shock.
- ▶ Avoid body contact with earthed or grounded surfaces, such as pipes, radiators, ranges and refrigerators. There is an increased risk of electric shock if your body is earthed or grounded.
- ▶ Do not expose power tools to rain or wet conditions. Water entering a power tool will increase the risk of electric shock.
- ▶ Do not abuse the cord. Never use the cord for carrying, pulling or unplugging the power tool. Keep cord away from heat, oil, sharp edges and moving parts. Damaged or entangled cords increase the risk of electric shock.
- ▶ When operating a power tool outdoors, use an extension cord suitable for outdoor use. Use of a cord suitable for outdoor use reduces the risk of electric shock.
- ▶ If operating a power tool in a damp location is unavoidable, use a residual current device (RCD) protected supply. Use of an RCD reduces the risk of electric shock.

### Personal safety

- ▶ Stay alert, watch what you are doing and use common sense when operating a power tool. Do not use a power tool while you are tired or under the influence of drugs, alcohol or medication. A moment of inattention while operating power tools may result in serious personal injury.
- ▶ Use personal protective equipment. Always wear eye protection. Protective equipment such as dust mask, nonskid safety shoes, hard hat, or hearing protection used for appropriate conditions will reduce personal injuries.
- ▶ Prevent unintentional starting. Ensure the switch is in the off-position before connecting to power source and/or battery pack, picking up or carrying the tool. Carrying power tools with your finger on the switch or energising power tools that have the switch on invites accidents.
- ▶ Remove any adjusting key or wrench before turning the power tool on. A wrench or a key left attached to a rotating part of the power tool may result in personal injury.
- ▶ Do not overreach. Keep proper footing and balance at all times. This enables better control of the power tool in unexpected situations.
- ▶ Dress properly. Do not wear loose clothing or jewellery. Keep your hair, clothing and gloves away from moving parts. Loose clothes, jewellery or long hair can be caught in moving parts.
- ▶ If devices are provided for the connection of dust extraction and collection facilities, ensure these are connected and properly used. Use of dust collection can reduce dust-related hazards.

### Power tool use and care

- ▶ Stay alert, watch what you are doing and use the power tool wisely. Do not use a power tool when you are tired or under the influence of drugs, alcohol or medicines. One moment of inattention while operating a power tool can result in serious injury.
- ▶ Use personal protective equipment. Always wear safety goggles. The use of personal protective equipment such as a face shield, non-slip shoes, a hard hat or hearing protection, depending on the type of power tool operation, reduces the risk of injury.
- ▶ Prevent the power tool from being switched on unintentionally. Before con-

necting the power tool to the mains and/ or battery, or lifting or carrying the power tool, make sure that it is turned off. Holding your finger on the switch while transporting the power tool and connecting the power tool to the mains while the power tool is on can cause an accident.

- ▶ Remove the setting tool or wrenches before turning on the power tool. A tool or wrench placed in a rotating part of a power tool can cause injury.
- ▶ Do not assume an unnatural body position. Always take a stable position and keep your balance. This gives you better control of the power tool in unexpected situations.
- ▶ Wear suitable work clothes. Do not wear loose clothing or jewelry. Keep hair and clothing away from moving parts. Loose clothes, jewelry or long hair can be caught in rotating parts.
- ▶ If it is possible to install dust extraction and dust collection devices, check their connection and correct use. The use of a dust extractor can reduce the danger posed by dust.
- ▶ Good knowledge of power tools, gained as a result of their frequent use, should not lead to self-confidence and disregard for safe handling of power tools. One careless action in a fraction of a second can result in serious injury.

**ATTENTION!** In the event of an interruption in the operation of the power tool due to a complete or partial loss of power supply or damage to the power control circuit, set the switch to the off position, making sure that it is not blocked (if any). Disconnect the mains plug from the socket or remove the removable battery. This prevents an uncontrolled restart.

### **Power tool use and handling**

- ▶ Do not overload the power tool. Use the appropriate special power tool for the job. With the right power tool, you work better and more reliably in the specified power range.
- ▶ Do not operate a power tool with a faulty switch. A power tool that cannot be turned on or off is dangerous and must be repaired.
- ▶ Before setting up the power tool, changing accessories, or storing the power tool, unplug the power tool from the wall outlet and/or remove the battery if possible. This precaution prevents the power tool from being switched on unintentionally.

- ▶ Keep power tools out of the reach of children. Do not allow anyone who is not familiar with it or who has not read these instructions to use the power tool. Power tools are dangerous in the hands of inexperienced persons.
- ▶ The appliance is not intended for use by persons (including children) with reduced physical, sensory or mental capabilities, or lack of experience or knowledge, unless they have been given supervision or instruction regarding the use of the appliance by a person responsible for their safety.
- ▶ Take good care of power tools and accessories. Check the function and running of the moving parts of the power tool for perfect function, for breakage or damage that would impair the function of the power tool. Damaged parts must be repaired before using the power tool. Poor maintenance of power tools is the cause of a large number of accidents.
- ▶ Keep cutting tools sharp and clean. Carefully maintained cutting tools with sharp cutting edges are less likely to jam and are easier to guide.
- ▶ Use power tools, accessories, work tools, etc. in accordance with these instructions. Consider the working conditions and the work to be done. Use of power tools for unintended work can lead to dangerous situations.
- ▶ Keep handles and gripping surfaces dry and clean and free from oil or grease. Slippery handles and gripping surfaces prevent safe handling of the tool and prevent reliable control in unforeseen situations.

### **Application and maintenance of cordless tools**

- ▶ The battery is not fully charged when shipped. To ensure full battery performance, fully charge the battery before first use.
- ▶ Use the battery only in combination with your P.I.T. This is the only way to prevent dangerous battery overload.
- ▶ Charge batteries only with chargers recommended by the manufacturer. A charger designed for certain types of batteries may present a fire hazard when used with other batteries.
- ▶ Only use the batteries specified for this purpose in power tools. Use of other batteries may result in personal injury and fire

hazard.

- ▶ Make sure the tool is turned off before inserting the battery. Inserting a rechargeable battery into a powered tool may result in an accident.
- ▶ Check the battery for firm seating. It has two levels of fixation.

### **Important safety instructions for working with the battery pack.**

**WARNING:** Use only original P.I.T. Use of batteries not manufactured by P.I.T. or batteries that have been modified may result in battery explosion, fire, personal injury or property damage. It will also automatically void the P.I.T. on the P.I.T. tool and charger.

- ▶ Before using the battery pack, read all instructions and warning labels on the charger, battery pack, and tool powered by the battery pack.
- ▶ Do not disassemble the battery pack.
- ▶ Do not drop or hit the battery pack.
- ▶ Do not use a damaged battery pack
- ▶ If the operating time of the battery pack becomes significantly shortened, stop using it immediately. Otherwise, the unit may overheat, resulting in burns and even an explosion.
- ▶ If electrolyte gets into your eyes, rinse with plenty of clean water and seek medical attention immediately. This can lead to vision loss.
- ▶ Do not short the contacts of the battery pack with each other:

(1) Do not touch the contacts with any conductive objects.

(2) Do not store the battery pack in a container with other metal objects such as nails, coins, etc.

(3) Do not expose the battery pack to water or rain. Shorting the contacts of the battery pack together can cause high current, overheating, possible burns, and even breakage of the pack.

- ▶ Do not store the tool and battery pack where the temperature can reach or exceed 50°C (122°F).
- ▶ Do not throw the battery pack into a fire, even if it is severely damaged or completely out of order. The battery pack may explode if exposed to fire.
- ▶ If the battery is damaged or misused, gas may be released. Provide fresh air and if you have any complaints, consult a doctor. Gases can cause respiratory irritation.

- ▶ Clean the battery vents from time to time with a soft, dry, and clean brush.
- ▶ Charge the battery pack without completely discharging it. Be sure to stop using the tool and charge the unit if you notice a decrease in tool power.
- ▶ Never recharge a fully charged battery pack. Overcharging shortens battery life.
- ▶ Charge the battery pack at room temperature. Allow a hot battery pack to cool before charging.
- ▶ Charge the lithium-ion battery pack if you will not be using the tool for a long time (more than six months).
- ▶ Do not open the battery. Doing so may cause a short circuit.
- ▶ Protect the battery from high temperatures such as prolonged exposure to the sun, fire, water and moisture. There is a risk of explosion.
- ▶ Store the battery within the temperature range of 0 to 45°C. Do not leave the battery in the car in summer.
- ▶ The supplied lithium-ion batteries must be used in accordance with the requirements of the dangerous goods laws. For commercial shipments, such as by a third party or freight forwarder, special warnings and labels must be applied to the packaging. Be sure to consult with a Hazardous Materials Specialist when preparing your device for shipping. Also observe local requirements and regulations. They may be stricter. Cover or secure open contacts and pack the battery so that it does not move around in the package.
- ▶ Follow local regulations regarding disposal of the battery pack.

### **Safety instructions for rotary hammers**

- ▶ **Wear hearing protection.** Exposure to noise can cause hearing loss.
- ▶ **Use the additional handle supplied with the tool.** Improper handling may result in injury.
- ▶ **Hold the tool by insulated surfaces when working where the drill bit may come into contact with hidden wires.** Contact of drill bits with live wires may cause exposed metal parts of the tool to become live and cause electric shock to the operator.
- ▶ **Wear a hard hat (safety helmet), safety glasses and/or a face shield.** Regular glasses or sunglasses are not safety

glasses. Wearing a dust mask and thick gloves is highly recommended.

- ▶ **Make sure the drill is in place before starting work.**
- ▶ **The tool generates vibrations during operation. The screws can easily loosen, causing malfunctions or accidents. Carefully check the tightening of the screws before operation.**
- ▶ **In cold weather or when the tool has not been used for a long time, run the tool without a load to warm it up.** This will warm up the lubricant. Without proper preheating, drilling will be difficult.
- ▶ **Always ensure stable support.** When using the tool at height, make sure there is no one below.
- ▶ **Hold the tool firmly with both hands.**
- ▶ **Keep hands away from moving parts.**
- ▶ **Do not leave the tool unattended while it is running.** Only operate the tool when you are holding it in your hands.
- ▶ **Do not point the tool at people nearby while working.** The drill may fly out and seriously injure others.
- ▶ **Do not touch the drill, parts near the drill or the workpiece immediately after use,** as they may be very hot and cause burns.
- ▶ **Some materials contain toxic chemicals.** Be careful not to inhale dust and avoid skin contact. Follow safety instructions.
- ▶ **Always turn off the tool and remove the battery and drill bit before passing the tool on to others.**
- ▶ **Before working, make sure there are no buried objects such as electric pipes, water pipes or gas pipes in the work area.** Otherwise, the drill/chisel blade may cause electric shock, leakage or gas leakage when it comes into contact with them.
- ▶ **Do not operate the tool without load unless necessary.**

**Switch operation warning:** Before plugging in the tool, always verify that the switch trigger operates properly and returns to the "off" position when released.

**Product description and specifications**



**Read all safety warnings and instructions.** Failure to follow warnings and instructions may result in electric shock, fire and/or serious injury.

**Intended use**

The tool is designed for drilling with impact and chiselling in brick, concrete and stone. It is also suitable for drilling without impact in wood, metal, ceramics and plastic.

**Components depicted**

The numbering of the presented components is done in accordance with the image on the illustration page.

- (1) Handle
- (2) SDS-PLUS chuck
- (3) Mode switch
- (4) Gearbox cover
- (5) Switch

**Technical parameters**

Model	PBH32-C6
Rated voltage	220-240V~ 50/60 Hz
Power	1500 W
No-load speed	920 r/min
Impact frequency	4250 ipm
Max. drilling diameter (concrete)	Ø32 mm(1-1/4")
Impact	6 J
Weight	5.1 kg

**Contents of delivery**

Electric hammer drill	1 pc
Drill	3 pcs
Flat chisel	1 pc
Pointed chisel	1 pc
Special key	1 pc
Dust collector	1 pc
Lubricant	1 pc
Auxiliary handle	1 pc
Carbon brushes	2 pcs
Instruction manual	1 pc

**Note**

The text and numerical designations of the instructions may contain technical and typographical errors. Since the product is constantly being improved, P.I.T. reserves the right to change the specifications and characteristics of the product without prior notice.

**Installation and operation**

**Installing the side handle (auxiliary handle) (Fig. A)**



**CAUTION:** Always use the side handle for safe operation.

The side handle rotates, allowing the user to operate the tool in any position. Turn the side handle counterclockwise to loosen it. Set the handle to the desired position, then turn clockwise to lock the side handle.

**Installing or removing a drill (Fig. B-D)**

- ▶ Clean the drill bit shank and apply grease before installing the drill bit. Lubricating the chuck ensures smooth operation and longer life.
- ▶ Insert the drill bit into the tool until it is fully engaged. Once the drill bit is installed, try to pull it out to make sure the drill bit is securely attached.
- ▶ To remove the bit, pull the chuck cover down and then pull the bit out.

**Impact drilling (Fig. E)**

**CAUTION:** The tool/drill bit may be subject to sudden, strong torque if the drill hole becomes clogged with debris or chips, or if the drill bit strikes rebar in concrete while drilling. Always hold the tool firmly by both the auxiliary handle and the main handle while operating. Failure to do so may result in loss of control of the tool and serious injury. Set the operating mode switch to the “Ham Drilling” position . Set the second mode switch to the “Ham Drilling” position .

Place the drill bit in the correct position in the hole and press the switch. Do not apply strong pressure to the tool. It is better to apply light pressure. Keep the tool correctly positioned to prevent it from falling out of the hole. Do not apply excessive force when the hole is clogged with chips or debris. Instead, rotate the tool at idle speed and gradually remove the drill bit from the hole. Repeat this several times, the hole will be clear and you can start drilling again.


**Note:** When the tool is running without load, the drill may rotate off-center. The tool is automatically centered during operation. This does not affect the accuracy of the drill hole.

**Drilling holes in wood or metal**

**CAUTION:** Hold the tool firmly and watch how the drill bit penetrates the workpiece. The tool/drill bit will be subjected to high, sudden torque during drilling.



**CAUTION:** Always secure the workpiece in a vice or similar holding device.

**CAUTION:** Never use “Hamming” when a drill bit is mounted on this tool. Damage to the drill bit may occur.

**Note:** Applying too much pressure to the tool will not increase drilling performance. In fact, excessive pressure will only damage the drill bit tip, reduce tool performance, and shorten tool life. Set the function switch to the hammer drilling side . Set the mode change button



to the “Drilling” position .

**Diamond core drills (Fig. F)**

**Note:** If you select the “Hit Drilling” action mode, the diamond core drill may be damaged. When using the diamond core drill for drilling, be sure to set the “Drilling” mode . Set the second mode switch to the “Drilling” position .

**Note:** When the tool is running without load, the drill may not rotate on the center. The tool will automatically center itself during operation. This does not affect the accuracy of the hole.

**Chiselling mode (Fig. G)**

Set the mode switch to the “Hamming” position . Set the second switch to the “Ham Drilling” position . Hold the tool firmly with both hands. Turn on the tool and apply light pressure to prevent the tool from jumping uncontrollably. Pressing harder on the tool will not increase the effect.

**Chuck type**

SDS-PLUS (two grooves and two slots)

**Maintenance and cleaning**

**Remove the battery from the tool before performing any adjustments, repairs or maintenance.**

- ▶ There are no user-serviceable parts in the power tool.
- ▶ Never clean power tools with water or chemical cleaning agents.
- ▶ Wipe with a dry cloth.
- ▶ Store power tools in a dry place.
- ▶ Keep engine vents clean. Keep all operating controls clean.

**Before using this tool, fill it with grease as shown below (Fig. I).**

- ▶ Hold the tool vertically and add grease until the grease is no longer visible in the grease filler neck.
- ▶ Before filling, remove the grease filler neck cap with a wrench.
- ▶ Be careful not to lose the gasket attached to the bottom of the cap when filling.
- ▶ Check the oil level once a day to ensure that the tool has grease.
- ▶ After filling, tighten the cap.
- ▶ Adding grease: First, unscrew the grease filler neck cap, add grease to the tool, and then tighten the cap with a wrench.

**Service**

- ▶ To ensure product safety and reliability, repairs, any other maintenance or adjust-

ments must be performed at an authorized P.I.T. service center. [www.pittools.ru/services](http://www.pittools.ru/services). Always use P.I.T. spare parts.

**Storage and transportation**

Store the tool in closed rooms with natural ventilation in the package at air temperature from  $-10^{\circ}\text{C}$  to  $+50^{\circ}\text{C}$  and air humidity not more than 80%.

Products can be transported by any type of closed transport in the manufacturer's packaging or without it, while preserving the product from mechanical damage, precipitation. Remove the battery and replacement tool from the tool before transporting.

<b>Troubleshooting</b>		
<b>Malfunction</b>	<b>Indication</b>	<b>Solution</b>
The product does not start	1. No power supply voltage.	Check the supply voltage.
	2. Carbon brushes are completely worn out.	Contact the after-sales service center for repair.
	3. Failure of switch, motor or other components.	Contact the after-sales service center for repair.
	4. The gearbox is jammed.	
The machine does not develop full speed or does not operate at full power.	1. The power supply voltage is too low.	Check the supply voltage.
	2. Carbon brushes are worn out.	Contact the after-sales service center for repair.
	3. Failure of switch, motor or other components.	Contact the after-sales service center for repair.
	4. The gearbox is jammed.	
	5. Lack of lubrication or its ineffectiveness due to high temperature.	Contact the after-sales service center for repair.
Operating modes do not switch	The mode switch knob is broken.	Contact the after-sales service center for repair.
Machine stopped while working	1. No power supply voltage.	Check the power supply voltage.
	2. Carbon brushes are completely worn out.	Contact the after-sales service center for repair.
	3. The gearbox is jammed.	
Decrease in machine efficiency	1. Triggering of the limiting clutch.	Contact the after-sales service center for repair.
	2. Jamming in the mechanism.	
	3. Lack of lubrication in the cylinder.	
Switch sticking	Dust getting on the switch and tool.	Clean the tool from dust.
Inability to install/remove tooling from chuck	1. Inconsistency between the type/size of the tool and the chuck.	Replace the equipment with the appropriate one.
	2. Jamming of the tooling due to increased temperature due to friction (lack of/absence of lubrication).	Allow the tool to cool. Use lubricant when installing the tool.
Machine overheating	1. Intensive operating mode, operation at maximum load.	Change your work schedule, reduce the load.
	2. High ambient temperature, poor ventilation or clogged vents.	Take steps to reduce temperatures, improve ventilation and clean vents.
	3. Insufficient lubrication, gearbox seizure.	Contact the after-sales service center for repair.
	4. The winding is burnt or damaged.	
The power indicator is not on	1. Insufficient power supply voltage.	Check the supply voltage.
	2. Power indicator or circuit failure.	Please contact the after-sales service center for repair.

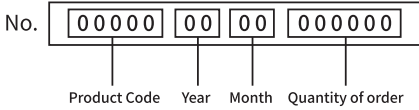
**Dispose of waste**



Damaged power tools, batteries, accessories and waste packaging materials must be recycled and reused in an environmentally friendly manner.

Do not throw power tools and accumulators / batteries into general household waste!

**Product serial number interpretation serial number**



The date of manufacture of the product is encoded in the serial number printed on the body of the tool. The first 2 digits indicate the year of issue, the next 2 digits indicate the month.

**TERMS OF WARRANTY SERVICE**

To customers (users) of warranty service:

1. This warranty certificate is the only document that confirms your right to free warranty service. If this proof is not presented, no claims will be accepted. Warranty certificates cannot be recovered if lost or damaged.
2. It is required to provide a valid and legal document for purchasing the product. The document must have the name or seal of the sales company; at the same time, state the full model name of the purchased P.I.T. product, the serial number on the nameplate of the fuselage, and the date of purchase, and the required warranty. The whole machine and its accessories.

The warranty period:

1. The warranty period of the product is 12 months from the date of sale. During the warranty period, the service department will eliminate manufacturing defects free of charge and replace the parts that fail due to the manufacturer's fault. In warranty repair, an equivalent operable product is not provided. Replaceable parts become the property of the service provider.
2. The wear degree on the diameter of the motor rotor commutator is less than 0.4 mm (except for brushless motor tools), and the internal damage caused by the quality of the tool belongs to the warranty.

The following situations occur during the warranty period, which is not covered by the warranty:

1. In the absence of any valid legal documents (invoices) such as warranty certificates

and warranty cards to prove the date of purchase.

2. Damage caused by natural wear and overload. (For example, motor rotor and stator failure caused by overload, scorching or melting of the primary winding of the welding machine transformer, charging or starting the charging device, melting of internal parts, burning of electronic circuit boards, etc.)
  3. The casing and power cord are mechanically damaged, as well as damage caused by corrosive media and high and low temperature, foreign objects entering the ventilation network of the motor, and damage caused by improper storage (corrosion of metal parts);
  4. Damage caused by improper carrying, transportation and storage by users.
  5. Products that are opened, repaired, replaced or modified by users themselves.
  6. Any damage caused by indiscriminate use, beyond the scope of use of the tool, and not in accordance with the instructions for use and maintenance. (see chapter "Safety Precautions" in the manual);
  7. The damage caused by the following situations is not guaranteed due to improper use and non-quality problems:
    - (1) When the power tool is running at high speed, use the braking device to forcibly stop the rotation.
    - (2) Excessive pressure is applied to the tool during the use of the tool.
    - (3) Use the tool outside the scope of its purpose and capabilities.
    - (4) Damage caused by the tool working in a dusty environment for a long time without timely maintenance of the tool.
    - (5) Change the rotation direction of the work head before the tool stops completely.
    - (6) Shock the battery or charger and replace the plug of the charger without permission, causing damage to the battery or charger.
    - (7) Damage caused by two-stroke gasoline tools not being fueled in the correct proportions.
- The warranty does not include:
1. Replacement of accessories (accessories and components) such as batteries, discs, blades, drills, chucks, chains, sprockets, collet clamps, guide rails, tension and fastening elements, dresser heads, grinders And belt sander base machine, hexagonal head, etc.;
  2. Wearing parts, such as: carbon brushes, transmission belts, seals, protective covers, guide rollers, guide rails, rubber seals, bear-

# **P.I.T.**

ings, toothed belts and wheels, shanks, brake belts, starter ratchets and ropes, piston rings  
Wait.

The above accessories are replaced with paid services during the warranty period;

## Русский

**Указания по технике безопасности**  
**Общие указания по технике безопасности для электроинструментов**



**Предупреждение** Прочитайте все указания по технике безопасности, инструкции, иллюстрации и спецификации, предоставленные вместе с настоящим электроинструментом.

Несоблюдение каких-либо из указанных ниже инструкций может стать причиной поражения электрическим током, пожара и/или тяжелых травм.

**Сохраняйте эти инструкции и указания для будущего использования.**

Использованное в настоящих инструкциях и указаниях понятие «электроинструмент» распространяется на электроинструмент с питанием от сети (с сетевым шнуром) и на аккумуляторный электроинструмент (без сетевого шнура).

### Безопасность рабочего места

- ▶ Содержите рабочее место в чистоте и хорошо освещенным. Беспорядок или неосвещенные участки рабочего места могут привести к несчастным случаям.
- ▶ Не работайте с электроинструментами во взрывоопасной атмосфере, напр., содержащей горючие жидкости, воспламеняющиеся газы или пыль. Электроинструменты искрят, что может привести к воспламенению пыли или паров.
- ▶ Во время работы с электроинструментом не допускайте близко к Вашему рабочему месту детей и посторонних лиц. Отвлечшись, Вы можете потерять контроль над электроинструментом.

### Электробезопасность

- ▶ Штепсельная вилка электроинструмента должна подходить к штепсельной розетке. Ни в коем случае не вносите изменения в штепсельную вилку. Не применяйте переходные штекеры для электроинструментов с защитным заземлением. Неизменные штепсельные вилки и подходящие штепсельные розетки снижают риск поражения электротоком.
- ▶ Предотвращайте телесный контакт с заземленными поверхностями, как то: с трубами, элементами отопления, кухонными плитами и холодильниками. При заземлении Вашего тела повышается риск поражения электротоком.

- ▶ Защищайте электроинструмент от дождя и сырости. Проникновение воды в электроинструмент повышает риск поражения электротоком.
- ▶ Не разрешается использовать шнур не по назначению. Никогда не используйте шнур для транспортировки или подвески электроинструмента, или для извлечения вилки из штепсельной розетки. Защищайте шнур от воздействия высоких температур, масла, острых кромок или подвижных частей электроинструмента. Поврежденный или спутанный шнур повышает риск поражения электротоком.
- ▶ При работе с электроинструментом под открытым небом применяйте пригодные для этого кабели-удлинители. Применение пригодного для работы под открытым небом кабеля-удлинителя снижает риск поражения электротоком.
- ▶ Если невозможно избежать применения электроинструмента в сыром помещении, подключайте электроинструмент через устройство защитного отключения. Применение устройства защитного отключения снижает риск электрического поражения.

### Безопасность людей

- ▶ Будьте внимательны, следите за тем, что делаете, и продуманно начинайте работу с электроинструментом. Не пользуйтесь электроинструментом в усталом состоянии или под воздействием наркотиков, алкоголя или лекарственных средств. Один момент невнимательности при работе с электроинструментом может привести к серьезным травмам.
- ▶ Применяйте средства индивидуальной защиты. Всегда носите защитные очки. Использование средств индивидуальной защиты, как то: защитной маски, обуви на нескользящей подошве, защитного шлема или средств защиты органов слуха, в зависимости от вида работы с электроинструментом снижает риск получения травм.
- ▶ Предотвращайте непреднамеренное включение электроинструмента. Перед тем как подключить электроинструмент к сети и/или к аккумулятору, поднять или переносить электроинструмент, убедитесь, что он выключен. Удержание пальца на выключателе при транспортировке электроинструмента и подключение к сети питания включенного элек-

троинструмента чревато несчастными случаями.

- ▶ Убирайте установочный инструмент или гаечные ключи до включения электроинструмента. Инструмент или ключ, находящийся во вращающейся части электроинструмента, может привести к травмам.
- ▶ Не принимайте неестественное положение корпуса тела. Всегда занимайте устойчивое положение и сохраняйте равновесие. Благодаря этому Вы можете лучше контролировать электроинструмент в неожиданных ситуациях.
- ▶ Носите подходящую рабочую одежду. Не носите широкую одежду и украшения. Держите волосы и одежду вдали от подвижных деталей. Широкая одежда, украшения или длинные волосы могут быть затянuty вращающимися частями.
- ▶ При наличии возможности установки пылеотсасывающих и пылесборных устройств проверяйте их присоединение и правильное использование. Применение пылеотсоса может снизить опасность, создаваемую пылью.
- ▶ Хорошее знание электроинструментов, полученное в результате частого их использования, не должно приводить к самоуверенности и игнорированию техники безопасности обращения с электроинструментами. Одно небрежное действие за долю секунды может привести к серьезным травмам.

**ВНИМАНИЕ!** В случае возникновения перебоев в работе электроинструмента вследствие полного или частичного прекращения энергоснабжения или повреждения цепи управления энергоснабжением установите выключатель в положение Выкл., убедившись, что он не заблокирован (при его наличии). Отключите сетевую вилку от розетки или отсоедините съёмный аккумулятор. Этим предотвращается неконтролируемый повторный запуск.

### Применение электроинструмента и обращение с ним

- ▶ Не перегружайте электроинструмент. Используйте для работы соответствующий специальный электроинструмент. С подходящим электроинструментом Вы работаете лучше и надежнее в указанном диапазоне мощности.
- ▶ Не работайте с электроинструментом при неисправном выключателе. Элек-

троинструмент, который не поддается включению или выключению, опасен и должен быть отремонтирован.

- ▶ Перед тем как настраивать электроинструмент, заменяя принадлежности или убирать электроинструмент на хранение, отключите штепсельную вилку от розетки сети и/или выньте, если это возможно, аккумулятор. Эта мера предосторожности предотвращает непреднамеренное включение электроинструмента.
- ▶ Храните электроинструменты в недоступном для детей месте. Не разрешайте пользоваться электроинструментом лицам, которые не знакомы с ним или не читали настоящих инструкций. Электроинструменты опасны в руках неопытных лиц.
- ▶ Прибор не предназначен для использования лицами (включая детей) с пониженными физическими, чувственными или умственными способностями или при отсутствии у них опыта или знаний, если они не находятся под контролем или не проинструктированы об использовании прибора лицом, ответственным за их безопасность.
- ▶ Тщательно ухаживайте за электроинструментом и принадлежностями. Проверяйте безупречную функцию и ход движущихся частей электроинструмента, отсутствие поломок или повреждений, отрицательно влияющих на функцию электроинструмента. Поврежденные части должны быть отремонтированы до использования электроинструмента. Плохое обслуживание электроинструментов является причиной большого числа несчастных случаев.
- ▶ Держите режущий инструмент в затаченном и чистом состоянии. Заботливо ухоженные режущие инструменты с острыми режущими кромками режут легче и их легче вести.
- ▶ Применяйте электроинструмент, принадлежности, рабочие инструменты и т. п. в соответствии с настоящими инструкциями. Учитывайте при этом рабочие условия и выполняемую работу. Использование электроинструментов для непредусмотренных работ может привести к опасным ситуациям.
- ▶ Держите ручки и поверхности захвата сухими и чистыми, следите чтобы на

них чтобы на них не было жидкой или консистентной смазки. Скользкие ручки и поверхности захвата препятствуют безопасному обращению с инструментом и не дают надежно контролировать его в непредвиденных ситуациях.

## Применение и обслуживание аккумулятора инструмента

- ▶ Аккумулятор поставляется не полностью заряженным. Для обеспечения полной мощности аккумулятора зарядите его полностью перед первым применением.
- ▶ Используйте аккумуляторную батарею только в комбинации с Вашим инструментом P.I.T. Только так вы сможете предотвратить опасную перегрузку аккумулятора.
- ▶ Заряжайте аккумуляторы только в зарядных устройствах, рекомендуемых изготовителем. Зарядное устройство, предусмотренное для определенного вида аккумуляторов, может привести к пожарной опасности при использовании его с другими аккумуляторами.
- ▶ Применяйте в электроинструментах только предусмотренные для этого аккумуляторы. Использование других аккумуляторов может привести к травмам и пожарной опасности.
- ▶ Убедитесь, что инструмент выключен, прежде чем вставлять аккумуляторную батарею. Установка аккумуляторной батареи во включенный инструмент может привести к несчастному случаю.
- ▶ Проверьте аккумуляторную батарею на прочность посадки. Она имеет две ступени фиксации.

## Инструкции по технике безопасности для перфораторов

**ВНИМАНИЕ:** Используйте только фирменные аккумуляторные батареи P.I.T. Использование аккумуляторных батарей, не произведенных P.I.T., или батарей, которые были подвергнуты модификациям, может привести к взрыву аккумулятора, пожару, травмам и повреждению имущества. Это также автоматически аннулирует гарантию P.I.T. на инструмент и зарядное устройство P.I.T.

- ▶ Перед использованием аккумуляторного блока прочитайте все инструкции и предупреждающие надписи на зарядном устройстве, аккумуляторном блоке и инструменте, работающем от аккумуляторного блока.

- ▶ Не разбирайте аккумуляторный блок.
- ▶ Не роняйте и не ударяйте аккумуляторный блок.
- ▶ Не используйте поврежденный аккумуляторный блок
- ▶ Если время работы аккумуляторного блока значительно сократилось, немедленно прекратите работу. В противном случае, может возникнуть перегрев блока, что приведет к ожогам и даже к взрыву.
- ▶ В случае попадания электролита в глаза промойте их обильным количеством чистой воды и немедленно обратитесь к врачу. Это может привести к потере зрения.
- ▶ Не замыкайте контакты аккумуляторного блока между собой:
  - (1) Не прикасайтесь к контактам какими-либо токопроводящими предметами.
  - (2) Не храните аккумуляторный блок в контейнере вместе с другими металлическими предметами, такими как гвозди, монеты и т.п.
  - (3) Не допускайте попадания на аккумуляторный блок воды или дождя. Замыкание контактов аккумуляторного блока между собой может привести к возникновению большого тока, перегреву, возможным ожогам и даже поломке блока.
- ▶ Не храните инструмент и аккумуляторный блок в местах, где температура может достигать или превышать 50 °C (122 °F).
- ▶ Не бросайте аккумуляторный блок в огонь, даже если он сильно поврежден или полностью вышел из строя. Аккумуляторный блок может взорваться под действием огня.
- ▶ При повреждении и ненадлежащем использовании аккумулятора может выделиться газ. Обеспечьте приток свежего воздуха и при возникновении жалоб обратитесь к врачу. Газы могут вызвать раздражение дыхательных путей.
- ▶ Время от времени прочищайте вентиляционные прорези аккумулятора мягкой, сухой и чистой кисточкой.
- ▶ Заряжайте блок аккумуляторов не допуская его полной разрядки. Обязательно прекратите работу с инструментом и зарядите блок, если вы заметили снижение мощности инструмента.
- ▶ Никогда не подзаряжайте полностью заряженный блок аккумуляторов. Перезарядка сокращает срок службы аккумуля-

лятора.

- ▶ Заряжайте блок аккумуляторов при комнатной температуре. Перед зарядкой горячего блока аккумуляторов дайте ему остыть.
- ▶ Зарядите литий-ионный аккумуляторный блок, если вы не будете пользоваться инструментом длительное время (более шести месяцев).
- ▶ Не вскрывайте аккумулятор. При этом возникает опасность короткого замыкания.
- ▶ Защищайте аккумуляторную батарею от высоких температур, например, от длительного нагревания на солнце, от огня, воды и влаги. Существует опасность взрыва.
- ▶ Храните аккумулятор в диапазоне температур от 0 до 45°C. Не оставляйте аккумулятор летом в автомобиле.
- ▶ Входящие в комплект литий-ионные аккумуляторы должны эксплуатироваться в соответствии с требованиями законодательства об опасных товарах. При коммерческой транспортировке, например, третьей стороной или экспедитором, необходимо нанести на упаковку специальные предупреждения и маркировку. В процессе подготовки устройства к отправке обязательно проконсультируйтесь со специалистом по опасным материалам. Также соблюдайте местные требования и нормы. Они могут быть строже. Закройте или закрепите разомкнутые контакты и упакуйте аккумулятор так, чтобы он не перемещался по упаковке.
- ▶ Выполняйте требования местного законодательства относительно утилизации аккумуляторного блока.

### Указания по технике безопасности для перфораторов

- ▶ **Надевайте средства защиты органов слуха.** Воздействие шума может привести к потере слуха.
- ▶ **Используйте дополнительную рукоятку, поставляемую с инструментом.** Неправильное обращение может привести к травмам.
- ▶ **Держите инструмент за изолированные поверхности при работе, когда бур может соприкоснуться со скрытыми проводами.** Контакт буров с проводами под напряжением может привести к попаданию открытых металлических

частей инструмента под напряжение и поражению оператора электрическим током.

- ▶ **Надевайте каску (защитный шлем), защитные очки и/или защитную маску.** Обычные очки или солнцезащитные очки не являются защитными очками. Настоятельно рекомендуется надевать пылезащитную маску и толстые перчатки.
- ▶ **Перед работой убедитесь, что бур установлен на место.**
- ▶ **Инструмент создает вибрации во время работы. Винты могут легко ослабнуть, что приведет к неисправностям или несчастным случаям.** Тщательно проверьте затяжку винтов перед работой.
- ▶ **В холодную погоду или когда инструмент не использовался в течение длительного времени, запустите инструмент без нагрузки, чтобы он нагрелся.** Это разогреет смазку. Без надлежащего предварительного нагрева бурение будет затруднено.
- ▶ **Всегда обеспечивайте устойчивую опору.** При использовании инструмента на высоте убедитесь, что внизу никого нет.
- ▶ **Крепко держите инструмент обеими руками.**
- ▶ **Держите руки подальше от движущихся частей.**
- ▶ **Не оставляйте инструмент без присмотра, пока он работает.** Работайте с инструментом, только когда вы держите его в руках.
- ▶ **Не направляйте инструмент на людей, находящихся поблизости, во время работы.** Бур может вылететь и серьезно поранить других.
- ▶ **Не прикасайтесь к сверлу, деталям рядом со сверлом или к заготовке сразу после работы,** так как они могут быть очень горячими и вызывать ожоги.
- ▶ **Некоторые материалы содержат токсичные химикаты.** Будьте осторожны, не вдыхайте пыль и избегайте контакта с кожей. Следуйте инструкциям по безопасности.
- ▶ Всегда выключайте инструмент и снимайте аккумуляторную батарею и бур перед тем, как передавать инструмент другим.
- ▶ **Перед работой убедитесь, что в рабочей зоне нет зарытых предме-**

тов, таких как электрические трубы, водопроводные трубы или газовые трубы. В противном случае лезвие бура долота при контакте с ними может вызвать поражение электрическим током, утечку или утечку газа.

► **Не используйте инструмент без нагрузки, если это не необходимо.**

**Предупреждение о работе переключателя:** перед тем, как вставить аккумуляторную батарею в инструмент, всегда проверяйте, что переключатель срабатывает должным образом и возвращается в положение «ВЫКЛ» при отпускании.

## Описание и характеристики продукта



Прочтите все предупреждения по безопасности и все инструкции.

Несоблюдение предупреждений и инструкций может привести к поражению электрическим током, пожару и/или серьезным травмам.

## Назначение

Инструмент предназначен для бурения с ударом и долбления в кирпиче, бетоне и камне. Также подходит для бурения без удара в дереве, металле, керамике и пластике.

## Изображенные компоненты

Нумерация представленных компонентов выполнена в соответствии с изображением на странице иллюстраций.

- (1) Рукоятка
- (2) Патрон SDS-PLUS
- (3) Переключатель режимов
- (4) Крышка редуктора
- (5) Выключатель

## Технические данные

Модель	PVN32-C6
Номинальное Напряжение	220-240В~ 50/60 Гц
Мощность	1500 Вт
Частота оборотов	920 об/мин
Частота ударов	4250 уд/мин
Макс. диаметр бурения (бетон)	Ø32 мм (1-1/4")
Сила удара	6 Дж
Вес	5.1 кг

## Комплект поставки

Перфоратор	1 шт
Бур	3 шт
Плоское долото	1 шт

Пикообразное долото	1 шт
Специальный ключ	1 шт
Пылеуловитель	1 шт
Смазка	1 шт
Вспомогательная рукоятка	1 шт
Угольные щетки	2 шт
Инструкция по эксплуатации	1 шт

## Примечание

В тексте и числовых обозначениях инструкции могут быть допущены технические и типографские ошибки. Поскольку продукт постоянно улучшается, P.I.T. оставляет за собой право вносить изменения в спецификации и характеристики продукта без предварительного уведомления.

## Установка и эксплуатация

### Установка боковой рукоятки (вспомогательной рукоятки) (Рис. А)

**ОСТОРОЖНО:** Всегда используйте боковую рукоятку для безопасной работы.

Боковая рукоятка вращается, что позволяет пользователю работать с инструментом в любом положении. Поверните боковую рукоятку против часовой стрелки, чтобы ослабить ее. Установите рукоятку в желаемое положение, затем поверните по часовой стрелке, чтобы зафиксировать боковую рукоятку.


### Установка или снятие бура (Рис. В-D)

- Очистите хвостовик бура и нанесите смазку перед установкой бура. Смазка патрона обеспечивает плавную работу и более длительный срок службы.
- Вставьте бур в инструмент до полного зацепления. После установки бура попробуйте вытащить его, чтобы убедиться, что бур надежно закреплен.
- Чтобы снять бур, потяните крышку патрона вниз, а затем вытащите бур.


### Сверление с ударом (рис. E)

**ОСТОРОЖНО:** инструмент/бур может подвергаться воздействию сильного внезапного крутящего момента, если отверстие для бурения засорится мусором или стружкой, или если бур столкнется с арматурой в бетоне при бурении.

Во время работы всегда крепко держите инструмент за дополнительную рукоятку и основную рукоятку одновременно. Невыполнение этого может привести к потере контроля над инструментом и серьезным травмам.

Установите переключатель режима работы в положение « Сверление с ударом » 

Установите второй переключатель режи-

мов в положение « Сверление с ударом » .

Установите бур в правильное положение в отверстие и нажмите на выключатель. Не прилагайте сильного давления к инструменту. Лучше слегка надавите. Держите инструмент правильно расположенным, чтобы не допустить его выпадения из отверстия. Не прикладывайте чрезмерных усилий, когда отверстие забито стружкой или мусором. Вместо этого вращайте инструмент на холостом ходу и постепенно вынимайте бур из отверстия. Повторив это несколько раз, отверстие будет чистым, и вы сможете снова начать бурение.



**Примечание:** Когда инструмент работает без нагрузки, сверло может вращаться не по центру. Инструмент автоматически центрируется во время работы. Это не влияет на точность бурового отверстия.

**Сверление отверстий в дереве или металле**


**ОСТОРОЖНО:** Крепко держите инструмент и следите, как сверло проникает в заготовку. Инструмент/сверло будет подвергаться большому внезапному крутящему моменту во время сверления.


**ОСТОРОЖНО:** Всегда закрепляйте заготовку в тисках или аналогичном зажимном устройстве.

**ОСТОРОЖНО:** Никогда не используйте «Сверление с ударом», когда на этом инструменте установлено сверло. Может произойти повреждение сверла.

**Примечание:** Слишком сильное нажатие на инструмент не увеличит эффективность сверления. Фактически, чрезмерное давление только повредит наконечник сверла, снизит производительность инструмента и сократит срок его службы. Установите переключатель режима работы в сторону сверления с ударом . Установите кнопку изменения режима в положение «Сверление» .

**Алмазные коронки (рис. F)**



**Примечание:** если вы выберете режим действия «Сверление с ударом», алмазная коронка может быть повреждена. При использовании алмазной коронки для сверления обязательно установите режим «Сверление» .

Установите второй переключатель режима в положение «Сверление» .

**Примечание:** когда инструмент работает

без нагрузки, сверло может вращаться не по центру. Инструмент будет автоматически центрироваться во время работы. Это не влияет на точность отверстия.

**Режим долбления (рис. G)**

Установите переключатель режимов в положение «Долбление» . Установите второй переключатель в положение «Сверление с ударом» . Крепко держите инструмент обеими руками. Включите инструмент и слегка надавите, чтобы инструмент не подпрыгивал бесконтрольно. Более сильное нажатие на инструмент не увеличит эффект.

**Тип патрона**

SDS-PLUS (два паза и два слота)

**Техническое обслуживание и чистка**

Извлеките аккумуляторную батарею из инструмента перед выполнением любых регулировок, ремонта или обслуживания.

- ▶ В электроинструменте нет деталей, обслуживаемых пользователем.
- ▶ Никогда не чистите электроинструмент водой или химическими чистящими средствами.
- ▶ Протирайте сухой тканью.
- ▶ Храните электроинструмент в сухом месте.
- ▶ Содержите вентиляционные отверстия двигателя в чистоте. Содержите все рабочие органы управления в чистоте.

**Перед использованием этого инструмента заполните его смазкой, как указано ниже (рис. I).**

- ▶ Держите инструмент вертикально и добавляйте смазку до того, как смазка перестанет быть видна в горловине для смазки.
- ▶ Перед заправкой снимите крышку с горловины для смазки с помощью гаечного ключа.
- ▶ Будьте осторожны, чтобы не потерять прокладку, прикрепленную к нижней части крышки при заправке.
- ▶ Проверьте уровень масла один раз в день, чтобы убедиться, что в инструменте есть смазка.
- ▶ После заправки затяните крышку.
- ▶ Добавление смазки: сначала открутите крышку горловины для смазки, добавьте смазку в инструмент, а затем затяните крышку ключом.

**Обслуживание**

- ▶ Для обеспечения безопасности и надежности продукта ремонт, любое другое обслуживание или регулировка должны выполняться в авторизованном сервисном центре P.I.T. [www.pittools.ru/services](http://www.pittools.ru/services). Всегда используйте запасные части P.I.T.

**Хранение и транспортировка**

Храните инструмент в закрытых помещениях с естественной вентиляцией в упаковке при температуре воздуха от  $-10^{\circ}\text{C}$  до  $+50^{\circ}\text{C}$  и влажности воздуха не более 80%.

Транспортировать продукцию можно любым видом закрытого транспорта в упаковке производителя или без нее, с сохранением изделия от механических повреждений, атмосферных осадков. Перед транспортировкой извлеките аккумулятор и сменный инструмент из инструмента.

<b>Диагностика неисправностей</b>		
<b>Неисправность</b>	<b>Индикация</b>	<b>Решение</b>
Машина не запускается	1. Нет напряжения питания.	Проверьте напряжение питания.
	2. Угольные щетки полностью изношены.	Обратитесь в центр послепродажного обслуживания для ремонта.
	3. Отказ переключателя, мотора или других компонентов.	Обратитесь в центр послепродажного обслуживания для ремонта.
	4. Заклинило редуктор.	
Машина не развивает полных оборотов или не работает на полную мощность	1. Напряжение питания слишком низкое.	Проверьте напряжение питания.
	2. Угольные щетки изношены.	Обратитесь в центр послепродажного обслуживания для ремонта.
	3. Отказ переключателя, мотора или других компонентов.	Обратитесь в центр послепродажного обслуживания для ремонта.
	4. Заклинило редуктор.	
	5. Недостаток смазки или ее неэффективность из-за высокой температуры.	Обратитесь в центр послепродажного обслуживания для ремонта.
Не переключаются режимы работы	Ручка переключения режимов сломана.	Обратитесь в центр послепродажного обслуживания для ремонта.
Машина остановилась при работе	1. Нет напряжения питания.	Проверьте напряжение питания.
	2. Угольные щетки полностью изношены.	Обратитесь в центр послепродажного обслуживания для ремонта.
	3. Заклинило редуктор.	Обратитесь в центр послепродажного обслуживания для ремонта.
Понижение эффективности машины	1. Срабатывание ограничительной муфты.	
	2. Заклинивание в механизме.	
	3. Отсутствие смазки в цилиндре.	
Заедание выключателя	Попадание пыли на выключатель и инструмент.	Очистите инструмент от пыли.
Невозможность установить/извлечь оснастку из патрона	1. Несоответствие типа / размера оснастки патрону.	Замените оснастку на соответствующую.
	2. Заклинивание оснастки вследствие повышения температуры из-за трения (в отсутствие / недостатке смазки).	Дайте оснастке остыть. Используйте смазку при установке оснастки.
Перегрев машины	1. Интенсивный режим работы, работа с максимальной нагрузкой.	Измените режим работы, снизьте нагрузку.
	2. Высокая температура окружающей среды, плохая вентиляция или забитые вентиляционные отверстия.	Примите меры для снижения температуры, улучшения вентиляции и очистки вентиляционных отверстий.
	3. Недостаточная смазка, заклинивание редуктора.	Обратитесь в центр послепродажного обслуживания для ремонта.
	4. Обмотка сгорела или повреждена.	

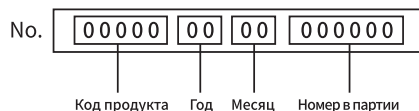
## Утилизация



Отслужившие свой срок электроинструменты, принадлежности и упаковку следует сдавать на экологически чистую переработку отходов.

Утилизируйте электроинструмент отдельно от бытового мусора!

## Расшифровка даты изготовления изделия



Дата изготовления изделия зашифрована в серийном номере, напечатанном на корпусе инструмента. Первые 2 цифры обозначают год выпуска, следующие 2 цифры – месяц.

## УСЛОВИЯ ГАРАНТИЙНОГО ОБСЛУЖИВАНИЯ

1. Настоящее гарантийное свидетельство является единственным документом, подтверждающим ваше право на бесплатное гарантийное обслуживание. Без предъявления данного свидетельства претензии не принимаются. В случае утери или порчи гарантийное свидетельство не восстанавливается.

2. Гарантийный срок указан в гарантийном сертификате. В течение гарантийного срока сервисная служба бесплатно устраняет производственные дефекты и производит замену деталей, вышедших из строя по вине изготовителя. На период гарантийного ремонта эквивалентный исправный инструмент не предоставляется. Заменяемые детали переходят в собственность служб сервиса.

Компания P.I.T. не несет ответственности за вред, который может быть причинен при работе с электроинструментом.

3. В гарантийный ремонт инструмент принимается в чистом виде, при обязательном наличии надлежащим образом оформленных документов: настоящего гарантийного свидетельства, гарантийного талона, с полностью заполненными полями, штампом торговой организации и подписью покупателя.

4. Гарантийный ремонт не производится в следующих случаях:

- при отсутствии гарантийного свидетельства и гарантийного талона или неправильном их оформлении;

- степень износа диаметра коллектора ротора двигателя превышает 0,4 мм (за исключением инструментов с бесщеточным двигателем);

- при совместном выходе из строя якоря и статора электродвигателя, при обугливание или оплавлении первичной обмотки трансформатора сварочного аппарата, зарядного или пуско-зарядного устройства, при оплавлении внутренних деталей, прожиге электронных плат и других случаях;

- если гарантийное свидетельство или талон не принадлежат данному электроинструменту или не соответствует установленному поставщиком образцу;

- по истечении срока гарантии;

- при попытках самостоятельного вскрытия или ремонта электроинструмента вне гарантийной мастерской;

- внесения конструктивных изменений и смазки инструмента в гарантийный период, о чем свидетельствуют, например, заломы на шлицевых частях крепежа корпусных деталей;

- при использовании электроинструмента в производственных или иных целях, связанных с получением прибыли, а также при возникновении неисправностей связанных с нестабильностью параметров электросети, превышающих нормы, установленные ГОСТ;

- при неправильной эксплуатации, использованию электроинструмента не по назначению, указанному в инструкции по эксплуатации, установки на электроинструмент не предназначенных заводом-изготовителем насадок, дополнительных приспособлений и т.п.;

- при механических повреждениях корпуса, сетевого шнура и при повреждениях, вызванных воздействиями агрессивных средств и высоких и низких температур, попадании инородных предметов в вентиляционные решетки электроинструмента, а также при повреждениях, наступивших в результате неправильного хранения (коррозия металлических частей);

- при естественном износе деталей электроинструмента, в результате длительной эксплуатации (определяется по признакам полной или частичной выработки ресурса, сильного загрязнения, ржавчины снаружи и внутри электроинструмента, отработанной смазки в редукторе);

- при возникновении повреждений в связи с несоблюдением предусмотренных ин-

структурой условий эксплуатации (см. главу «Указание по технике безопасности» в инструкции).

- при повреждении изделия вследствие несоблюдения правил хранения и транспортировки;

- при сильном внутреннем загрязнении инструмента;

- при работе с перегрузкой бензоинструмента, изменении цвета чашки и муфты сцепления в результате перегрева;

- при обрыве шнура стартера при условии исправности остальных деталей пускового устройства;

- на все виды работ, выполняемые при периодическом техническом обслуживании (регулировки, чистке, замене расходных материалов и др.);

- на неисправности, возникшие в результате нарушения требований и правил эксплуатации, установленных паспортом изделия. Например, перегрев изделия, несоблюдение требований к составу и качеству топливной смеси, повлекших выход из строя поршневой группы (безусловным признаком этого является залегание поршневого кольца и/или наличие царапин и потертостей на внутренней поверхности цилиндра и поверхности поршня, разрушение или оплавление опорных подшипников шатуна и поршневого пальца);

- на внешние и внутренние загрязнения, царапины, трещины, повреждения, возникшие в процессе эксплуатации или транспортировки.

- при работе электроинструментом с перегрузкой и заклиниванием оснастки, о чем свидетельствуют задиры, изменение цвета от температуры упорных и прижимных шайб, зажимного патрона, выхода из строя редуктора.

Профилактическое обслуживание электроинструмента (чистка, промывка, смазка, замена пыльников, поршневых и уплотнительных колец) в гарантийный период является платной услугой.

Срок службы изделия составляет 3 года.

Срок хранения – 2 года. Не рекомендуется к эксплуатации по истечении 2 лет хранения с даты изготовления, которая указана в серийном номере на этикетке инструмента, без предварительной проверки (определение даты выпуска смотрите ранее в Руководстве пользователя).

О возможных нарушениях, изложенных выше условий гарантийного обслуживания,

владельцу сообщается после проведения диагностики в сервисном центре. Владелец инструмента доверяет проведение диагностики в сервисном центре в свое отсутствие.

Запрещается эксплуатация электроинструмента при проявлении признаков повышенного нагрева, искрения, а также шума в редукторной части. Для выяснения причин неисправности покупателю следует обратиться в гарантийную мастерскую.

Неисправности, вызванные несвоевременной заменой угольных щеток двигателя, устраняются за счет покупателя.

5.Гарантия не распространяется на:

- сменные принадлежности (аксессуары и оснастка), например: аккумуляторы, диски, ножи, сверла, буры, патроны, цепи, звездочки, цанговые зажимы, шины, элементы натяжения и крепления, головки триммеров, подошвы шлифовальных и ленточных машин, фильтры, головки шестигранные сменные насадки и т.п.

- быстроизнашивающиеся детали, например: угольные щетки, приводные ремни, сальники, защитные кожухи, направляющие ролики, направляющие, резиновые уплотнения, подшипники, зубчатые ремни и колеса, стволы, ленты тормоза, храповики и тросы стартеров, поршневые кольца и т.п.

Замена их в течение гарантийного срока является платной услугой.

- шнуры питания, в случае повреждения изоляции. В данном случае потребитель должен быть уведомлен и ремонт (услуга платная) должен быть выполнен после согласия потребителя. Если потребитель не согласен на замену, то в любом ремонте этого инструмента будет отказано. Факт отказа должен быть зафиксирован в гарантийном талоне или квитанции сервисного центра и подписан владельцем.

# P.I.T. WARRANTY CERTIFICATE

Product Name \_\_\_\_\_

Product Serial Number

Battery Serial Number

Charger Serial Number

Sale Date \_\_\_\_\_

Trade Organization Name \_\_\_\_\_



Dear customer!

Thank you for purchasing the P.I.T. tool, and we hope that you will be satisfied with your choice. In the process of manufacturing the P.I.T. tools pass multilevel quality control, if nevertheless your product will need maintenance, please contact the authorized P.I.T. service centers.

Attention!

When buying, ask a seller to check the completeness and operability of the tool, to fill out the Warranty Certificate, the Warranty Card (the boxes shall be filled out by a seller) and to affix the seal of the trade organization in the Guarantee Certificate and the Warranty Card.

Warranty

By this Warranty Certificate, P.I.T. company guarantees the absence of defects of the production nature.

In the event any of the above defects are detected during the warranty period, the specialized P.I.T. service centers shall repair the product and replace the defective spare parts free of charge.

The warranty period for P.I.T. electric machines is 12 months from the date of sale.

“The warranty maintenance terms acknowledged and accepted. The operability and completeness of the product are checked in my presence. No claims on quality and appearance.”

Buyer's Signature \_\_\_\_\_ Surname (legibly) \_\_\_\_\_

Phone \_\_\_\_\_

**ГАРАНТИЙНОЕ СВИДЕТЕЛЬСТВО НА ИНСТРУМЕНТ P.I.T.**

Наименование изделия \_\_\_\_\_

Серийный номер изделия □□□□□□□□□□

Серийный номер аккумулятора □□□□□□□□□□

Серийный номер зарядного устройства □□□□□□□□□□

Дата продажи « \_\_\_\_ » \_\_\_\_\_

Наименование торговой организации \_\_\_\_\_

Уважаемый покупатель!

М.П.

Благодарим Вас за покупку инструмента P.I.T. и надеемся, что Вы останетесь довольны своим выбором.

При необходимости обслуживания Вашего изделия обращайтесь в авторизованные сервисные центры P.I.T. Все сервисные центры представлены на сайте [www.pittools.ru](http://www.pittools.ru)

**Внимание!**

При покупке требуйте у продавца проверки работоспособности инструмента и его комплектности, а также заполнения гарантийного свидетельства, гарантийного талона (графы «Заполняются продавцом») и простановки печати торговой организации в гарантийном свидетельстве и гарантийных талонах.

**Гарантия**

На основании данного гарантийного свидетельства компания P.I.T. гарантирует отсутствие дефектов производственного характера.

Если в течение гарантийного срока в Вашем изделии обнаружатся указанные дефекты, то специализированные сервисные центры P.I.T. бесплатно отремонтируют изделие и заменят дефектные запасные части.

Гарантийный срок на электроинструменты P.I.T. составляет 12 месяцев со дня продажи.

«С условиями гарантийного обслуживания ознакомлен(а). Работоспособность и комплектность изделия проверены в моем присутствии. Претензий к качеству и внешнему виду не имею».

Подпись покупателя \_\_\_\_\_ Фамилия (разборчиво) \_\_\_\_\_

Телефон \_\_\_\_\_

# P.I.T. WARRANTY CARD

Name _____ Serial Number _____ Sale Date _____ 20__ Date of Receipt from Repair _____ 20__	<b>P.I.T.</b>		<b>№ 1</b>
	Name _____		
	Serial Number _____		
	Sale Date _____ 20__	Place of Seal	
	(Filled out by a Seller)		
	WARRANTY REPAIR CARD		
	Date of Acceptance for Repair _____ 20__		
	Application for Repair _____		
	Customer _____		
	Phone (Address) _____		
Cause of Application _____			
Date of Receipt from Repair _____ 20__			
The Tool is checked in my presence _____			
(The Order shall be performed in a Service Center) (Signature)			

Name _____ Serial Number _____ Sale Date _____ 20__ Date of Receipt from Repair _____ 20__	<b>P.I.T.</b>		<b>№ 2</b>
	Name _____		
	Serial Number _____		
	Sale Date _____ 20__	Place of Seal	
	(Filled out by a Seller)		
	WARRANTY REPAIR CARD		
	Date of Acceptance for Repair _____ 20__		
	Application for Repair _____		
	Customer _____		
	Phone (Address) _____		
Cause of Application _____			
Date of Receipt from Repair _____ 20__			
The Tool is checked in my presence _____			
(The Order shall be performed in a Service Center) (Signature)			

Name _____ Serial Number _____ Sale Date _____ 20__ Date of Receipt from Repair _____ 20__	<b>P.I.T.</b>		<b>№ 3</b>
	Name _____		
	Serial Number _____		
	Sale Date _____ 20__	Place of Seal	
	(Filled out by a Seller)		
	WARRANTY REPAIR CARD		
	Date of Acceptance for Repair _____ 20__		
	Application for Repair _____		
	Customer _____		
	Phone (Address) _____		
Cause of Application _____			
Date of Receipt from Repair _____ 20__			
The Tool is checked in my presence _____			
(The Order shall be performed in a Service Center) (Signature)			

## ГАРАНТИЙНЫЙ ТАЛОН P.I.T.

P.I.T.

Талон № 1

Наименование \_\_\_\_\_

Серийный номер \_\_\_\_\_

Дата продажи « \_\_\_\_ » \_\_\_\_\_ 20\_\_

(Заполняется продавцом)

КАРТА ГАРАНТИЙНОГО РЕМОНА

Дата приема ремонт \_\_\_\_\_ 20\_\_

Заявка на ремонт \_\_\_\_\_

Заказчик \_\_\_\_\_

Телефон (адрес) \_\_\_\_\_

Причина обращения \_\_\_\_\_

Дата получения от ремонта \_\_\_\_\_ 20\_\_

Инструмент проверен в моем присутствии \_\_\_\_\_

(Заказ заполняется в Сервисном Центре) (Подпись)

Место печати  
или штампа

Наименование \_\_\_\_\_  
 Серийный номер \_\_\_\_\_  
 Дата продажи \_\_\_\_\_ 20\_\_  
 Дата получения от ремонта \_\_\_\_\_ 20\_\_

P.I.T.

Талон № 2

Наименование \_\_\_\_\_

Серийный номер \_\_\_\_\_

Дата продажи « \_\_\_\_ » \_\_\_\_\_ 20\_\_

(Заполняется продавцом)

КАРТА ГАРАНТИЙНОГО РЕМОНА

Дата приема ремонт \_\_\_\_\_ 20\_\_

Заявка на ремонт \_\_\_\_\_

Заказчик \_\_\_\_\_

Телефон (адрес) \_\_\_\_\_

Причина обращения \_\_\_\_\_

Дата получения от ремонта \_\_\_\_\_ 20\_\_

Инструмент проверен в моем присутствии \_\_\_\_\_

(Заказ заполняется в Сервисном Центре) (Подпись)

Место печати  
или штампа

Наименование \_\_\_\_\_  
 Серийный номер \_\_\_\_\_  
 Дата продажи \_\_\_\_\_ 20\_\_  
 Дата получения от ремонта \_\_\_\_\_ 20\_\_

P.I.T.

Талон № 3

Наименование \_\_\_\_\_

Серийный номер \_\_\_\_\_

Дата продажи « \_\_\_\_ » \_\_\_\_\_ 20\_\_

(Заполняется продавцом)

КАРТА ГАРАНТИЙНОГО РЕМОНА

Дата приема ремонт \_\_\_\_\_ 20\_\_

Заявка на ремонт \_\_\_\_\_

Заказчик \_\_\_\_\_

Телефон (адрес) \_\_\_\_\_

Причина обращения \_\_\_\_\_

Дата получения от ремонта \_\_\_\_\_ 20\_\_

Инструмент проверен в моем присутствии \_\_\_\_\_

(Заказ заполняется в Сервисном Центре) (Подпись)

Место печати  
или штампа


Наименование \_\_\_\_\_  
 Серийный номер \_\_\_\_\_  
 Дата продажи \_\_\_\_\_ 20\_\_  
 Дата получения от ремонта \_\_\_\_\_ 20\_\_



# P.I.T.

## Media account

---

 [pit\\_global](#)  [PIT Global](#)  [YouTube PIT Global](#)

 [bod@pit-tools.com](mailto:bod@pit-tools.com)  [www.pit-tools.com](http://www.pit-tools.com)

Сделано в КНР / Made in China