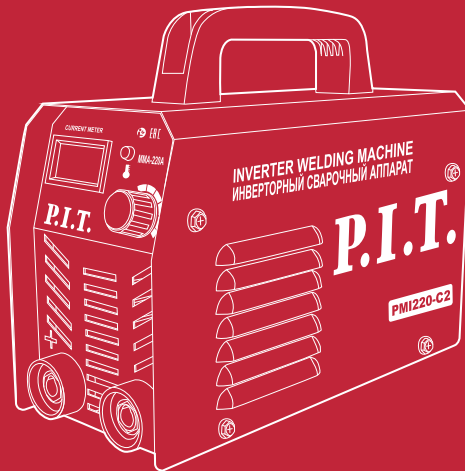


P.I.T.

PMI220-C2



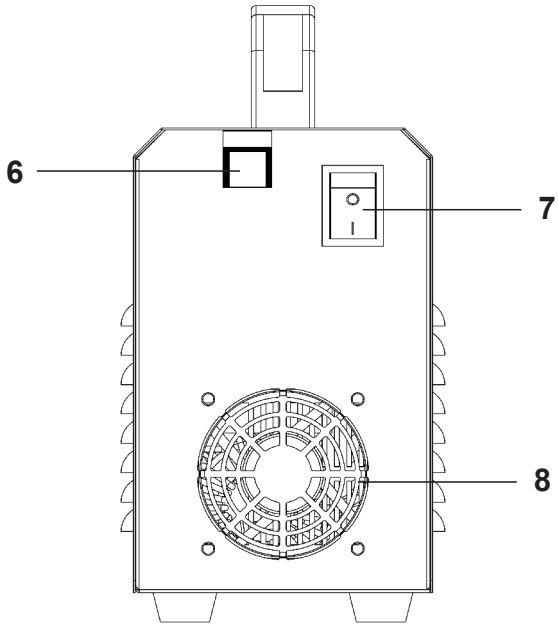
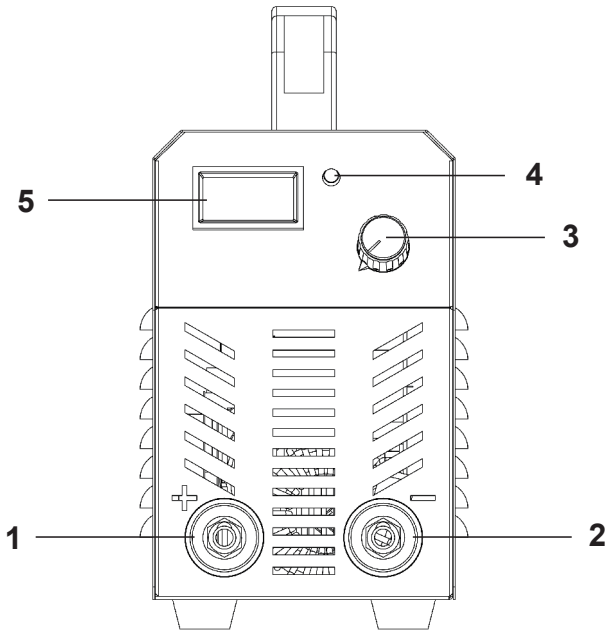
INVERTER WELDING MACHINE ИНВЕРТОРНЫЙ СВАРОЧНЫЙ АППАРАТ

5800W

**Powerful
Efficient**

Please read the instruction manual carefully before use!
Пожалуйста, внимательно прочтите инструкцию перед использованием!





English

Safety Notes

General Power Tool Safety Warnings



WARNING Read all safety warnings and all instructions.

Failure to follow the warnings and instructions may result in electric shock, fire and/or serious injury.

Save all warnings and instructions for future reference.

The term "power tool" in the warnings refers to your mains-operated (corded) power tool or battery-operated (cordless) power tool.

Work area safety

- ▶ **Keep work area clean and well lit.** Cluttered or dark areas invite accidents.
- ▶ **Do not operate power tools in explosive atmospheres, such as in the presence of flammable liquids, gases or dust.** Power tools create sparks which may ignite the dust or fumes.
- ▶ **Keep children and bystanders away while operating a power tool.** Distractions can cause you to lose control.

Electrical safety

- ▶ **Power tool plugs must match the outlet. Never modify the plug in any way. Do not use any adapter plugs with earthed (grounded) power tools.** Unmodified plugs and matching outlets will reduce risk of electric shock.
- ▶ **Avoid body contact with earthed or grounded surfaces, such as pipes, radiators, ranges and refrigerators.** There is an increased risk of electric shock if your body is earthed or grounded.
- ▶ **Do not expose power tools to rain or wet conditions.** Water entering a power tool will increase the risk of electric shock.
- ▶ **Do not abuse the cord. Never use the cord for carrying, pulling or unplugging the power tool. Keep cord away from heat, oil, sharp edges and moving parts.** Damaged or entangled cords increase the risk of electric shock.
- ▶ **When operating a power tool outdoors, use an extension cord suitable for outdoor use.** Use of a cord suitable for outdoor use reduces the risk of electric shock.
- ▶ **If operating a power tool in a damp location is unavoidable, use a residual current device (RCD) protected supply.** Use of an RCD reduces the risk of electric shock.

Personal safety

- ▶ **Stay alert, watch what you are doing and use common sense when operating a power tool. Do not use a power tool while you are tired or under the influence of drugs, alcohol or medication.** A moment of inattention while operating power tools may result in serious personal injury.
- ▶ **Use personal protective equipment. Always wear eye protection.** Protective equipment such as a dust mask, non-skid safety shoes, hard hat or hearing protection used for appropriate conditions will reduce personal injuries.
- ▶ **Prevent unintentional starting. Ensure the switch is in the off-position before connecting to power source and/or battery pack, picking up or carrying the tool.** Carrying power tools with your finger on the switch or energising power tools that have the switch on invites accidents.
- ▶ **Remove any adjusting key or wrench before turning the power tool on.** A wrench or a key left attached to a rotating part of the power tool may result in personal injury.
- ▶ **Do not overreach. Keep proper footing and balance at all times.** This enables better control of the power tool in unexpected situations.
- ▶ **Dress properly. Do not wear loose clothing or jewellery. Keep your hair, clothing and gloves away from moving parts.** Loose clothes, jewellery or long hair can be caught in moving parts.
- ▶ **If devices are provided for the connection of dust extraction and collection facilities, ensure these are connected and properly used.** Use of dust collection can reduce dust-related hazards.
- ▶ **Do not let familiarity gained from frequent use of tools allow you to become complacent and ignore tool safety principles.** A careless action can cause severe injury within a fraction of a second.

Power tool use and care

- ▶ **Do not force the power tool. Use the correct power tool for your application.** The correct power tool will do the job better and safer at the rate for which it was designed.
- ▶ **Do not use the power tool if the switch does not turn it on and off.** Any power tool that cannot be controlled with the

switch is dangerous and must be repaired.

- ▶ **Disconnect the plug from the power source and/or the battery pack from the power tool before making any adjustments ,changing accessories, or storing power tools.** Such preventive safety measures reduce the risk of starting the power tool accidentally .
- ▶ **Store idle power tools out of the reach of children and do not allow persons unfamiliar with the power tool or these instructions to operate the power tool.** Power tools are dangerous in the hands of untrained users.
- ▶ **Maintain power tools. Check for misalignment or binding of moving parts, breakage of parts and any other condition that may affect the power tool's operation. If damaged, have the power tool repaired before use.** Many accidents are caused by poorly maintained power tools.
- ▶ **Keep cutting tools sharp and clean.** Properly maintained cutting tools with sharp cutting edges are less likely to bind and are easier to control.
- ▶ **Use the power tool, accessories and tool bits etc. in accordance with these instructions, taking into account the working conditions and the work to be performed.** Use of the power tool for operations different from those intended could result in a hazardous situation.
- ▶ **Keep handles and grasping surfaces dry, clean and free from oil and grease.** Slippery handles and grasping surfaces do not allow for safe handling and control of the tool in unexpected situations.

Safety instructions for electric welding machine

- ▶ **Set the earth fitting according to applying standard.**
- ▶ **Forbidden to touch the bare electric parts and electrode with uncovered skin, wet gloves or clothes.**
- ▶ **Make sure you are insulated from the ground and the workshop.**
- ▶ **Make sure you are in safe position.**
- ▶ **Keep your head out of the gases and fumes.**
- ▶ **When arc welding, ventilators or air extractors should be used to avoid breathing gases.**
- ▶ **Wear suitable protective mask, light filter and protective garment to protect**

eyes and body.

- ▶ **Prepare suitable protective mask or curtain to protect looker-on.**
- ▶ **Welding spark may cause fire, make sure there is no tinder stuff around the welding area.**
- ▶ **Use ear protector or others means to protect ear.**
- ▶ **Warn looker-on that noise is harmful to hearing.**
- ▶ **If trouble happens during installation and operation, please follow this manual instruction to check up.**
- ▶ **If you fail to fully understand the manual, or fail to solve the problem with the instruction, you should contact the suppliers or the service center for professional help.**
- ▶ **The machine should be operated in dry environments with humidity levels of max 90%.**
- ▶ **Ambient temperature should be between -10 to 40 degrees centigrade.**
- ▶ **Avoid welding in sunshine or drippings. Do not let water infiltrate the machine.**
- ▶ **Avoid welding in dust area or the environment with corrosive gas.**
- ▶ **Avoid welding in a strong air flow environment.**

Product Description and Specifications



Read all safety warnings and all instructions. Failure to follow the warnings and instructions may result in electric shock, fire and/or serious injury.

Intended Use

The inverter welding machine is designed for manual electric arc welding with a covered electrode.

The electric welding machine uses the principle of inductance. The inductance will produce a huge voltage change when the inductance is turned on and off. The high-voltage arc generated by the instantaneous short circuit of the positive and negative poles is used to melt the solder on the welding rod.

Product Features

The numbering of the components shown refers to the representation of the power tool on the graphic pages.

- 1 Positive output
- 2 Negative output
- 3 Current adjustment
- 4 Protect indicator
- 5 Current meter

- 6 Input cable
- 7 Power switch
- 8 Cooling fan

Technical Data

Model	PMI220-C2
Rated voltage	190-250V~ / 50Hz
Rated power	5800 W
Electrode diameter	Ø1.6-3.2 mm (1/16"-1/8")
Welding current	10-220 A
Weight	4.5 kg

Contents of delivery

Inverter welding machine	1 pc
Cable with electrode holder	1 pc
Cable with grounding terminal	1 pc
Instruction manual	1 pc

Note

Technical errors and typographical errors may be made in the text and numerical designations of the instructions.

Since the product is constantly being improved, P.I.T. reserves the right to make changes to the specifications and product specifications specified here without prior notice.

Installation instruction

The machine is equipped with power voltage compensation equipment. When power voltage fluctuates between $\pm 10\%$ of rated voltage, it still can work normally.

When use long cable, in order to prevent voltage form going down, bigger section cable is suggested. If cable is too long, it may affect the performance of the power system. So we suggest you to use configured length.

- ▶ Make sure intake of the machine not blocked or covered, lest cooling system could not work.
- ▶ Ground the cables with section area no less than 6mm² to the housing, the way is connecting screw in the back of the power source to ground device, or make sure ground terminal of power socket is firmly connected. Both ways can be used for absolute safety.
- ▶ Correctly connect the arc torch or holder according to the sketch. Make sure the cable, holder and fastening plug have been connected with the ground. Put the fastening plug into the fastening socket at the "-" polarity and fasten it clockwise.
- ▶ Put the fastening plug of the cable to fastening socket of "+" polarity at the front

panel, fasten it clockwise, and the earth clamp at the other terminal clamps the work piece.

- ▶ Please pay attention to the connecting polarity, DC welding machine has two connecting ways: positive connection and negative connection. Positive connection: holder connects with "-" terminal, while work piece with the "+" terminal. Negative connection: work piece with the "-" terminal, holder with the "+" terminal. Choose suitable way according to working demands. If unsuitable choice, it will cause unstable arc, more spatters and conglutination. If such problems occur, please change the polarity of the fastening plug.
- ▶ According to input voltage grade, connect power cable with power supply box of relevant voltage grade. Make sure there is no mistake and the voltage of power supply does not exceed permission range. After the above job, installation is finished and welding is available.



If distance of work piece and machine is too far (500-100m), and the cables (torch cable and earth cable) are too long, please choose cable of bigger section to minimize the reduction of the voltage.

Operation instruction

- ▶ Open the power switch, screen will show set current value and ventilator is beginning to run.
- ▶ Adjust knobs of welding current and arc-striking push, make welding function complies with demands.
- ▶ Generally, welding current is adequate to welding electrode according with as following:

Specification	Current
φ2.5	70-100 A
φ3.2	110-160 A
φ4.0	170-220 A
φ5.0	230-280 A

Attention! Remember that the nature of the weld depends not only on the amperage, but also on other parameters such as the diameter and quality of the electrodes, arc length, welding speed and position of the welder, as well as the condition of the electrodes, which must be stored in the packaging and protected from dampness.

- ▶ To start welding, you need to touch the welding point with the end of the electrode, while the movement of your hand should

be similar to how you light a match. This is the correct arc ignition method.

Attention! Do not knock the electrode on the working surface when trying to ignite the arc, as this can damage it and further complicate the ignition of the arc.

- ▶ As soon as the arc strikes, the electrode must be held on such distance from the processed material, which corresponds to the diameter of the electrode. To obtain a uniform seam, it is further necessary to maintain this distance as constant as possible. It should also be remembered that the tilt of the electrode axis should be approximately 20-30 degrees.
- ▶ When finishing the weld, pull the electrode back a little to fill the weld crater and then lift it sharply until the arc disappears.
- ▶ If the thermal protection is triggered during operation (indicator 4 turns on), the device automatically turns off. It is necessary to turn off the device for 20 minutes in order for it to cool down, and after that you can continue to work.

Safety norms

The welding machine is installed with protection circuit of over voltage, over current and over heat. When voltage, output current and temperature of machine exceed the required standard, welding machine will stop working automatically. However, overuse (such as over voltage) will still result in damage to the welding machine. To avoid this, the user must pay attention to the following.

▶ The working area is adequately ventilated

The welding machine is powerful machine, when it is being operated, it generated by high currents, and natural wind will not satisfy machine cool demands. So there is a fan in inner-machine to cool down machine. Make sure the intake is not in block or covered, it is 0.3 meter from welding machine to objects of environment. User should make sure the working area is adequately ventilated. It is important for the performance and the longevity of the machine.

▶ Do not over load

The operator should remember to watch the max duty current (Response to the selected duty cycle). Keep welding current is not exceed max duty cycle current. Overload current will damage and burn up machine.

▶ No over voltage

- ▶ Power voltage can be found in diagram of main technical data. Automatic compensation circuit of voltage will assure that welding current keeps in allowable range. If power voltage is exceeding allowable range limited, it will damage to components of machine. The operator should understand this situation and take preventive measures.
- ▶ There is a grounding screw behind welding machine, with a grounding marker on it. Before operation, welding crust must be grounded reliable with cable which section is over 6 square millimeter, in order to prevent from static electricity, and accidents because of electricity leaking.
- ▶ If welding time is exceeded duty cycle limited, welding machine will stop working for protection. Because machine is overheated, temperature control switch is on "ON" position and the indicator light is red. In this situation, you don't have to pull the plug, in order to let the fan cool the machine. When the indicator light is off, and the temperature goes down to the standard range, it can weld again.

Questions to be run into during welding

- ▶ Fittings, welding materials, environment factors, power supply can affect welding performance.
- ▶ Make sure quality of tungsten electrode is high .
- ▶ If the electrode contains moisture, it will cause unstable arc, welding defect increase and poor quality.
- ▶ If the extra-long cable is used, the output voltage will be affected, so please shorten the cable.
- ▶ When power voltage deviates from the rated value, it will affect output current accordingly; When input voltage is lower than rated value, the max output may be lower than rated value.

Maintenance and Service

Maintenance and Cleaning

- ▶ **Pull the plug out of the socket before carrying out any work on the power tool.**
- ▶ **Remove dust by dry and clean compressed air regularly.** If welding machine is operated in environment where strong smoke and polluted air is present, the machine needs to be cleaned at least once a

month.

- ▶ **Pressure of compressed air must be within reasonable range in order to prevent damage to small and sensitive components in the machine.**
- ▶ **Check internal circuit of welding machine regularly and make sure the circuit connections are connected correctly and tightly (especially plug-in connector and components).** If scale and rust are found, please clean it, and connect again tightly.
- ▶ **Prevent water and steam from entering into the machine. If that happens, please blow it dry and check insulation of machine.**
- ▶ **If welding machine will not be used for long time, it must be put into the packing box and stored in dry and clean environment.**

In order to avoid safety hazards, if the power supply cord needs to be replaced, this must be done by P.I.T. or by an after-sales service centre that is authorised to repair P.I.T. power tools.

Service

- ▶ Have your power tool repaired only by qualified personnel and only with original spare parts. This ensures the safety of the power tool.

The list of authorized service centers can be viewed on the official website of P.I.T. by the link: <https://pittools.ru/services/>

Storage and transportation

The welding machine should be stored in closed rooms with natural ventilation at temperatures from 0 to +40 ° C and relative humidity up to 80%. The presence of vapors of acids, alkalis and other aggressive impurities in the air is not allowed.

Products can be transported by any type of closed transport in the manufacturer's packaging or without it, while preserving the product from mechanical damage, atmospheric precipitation.

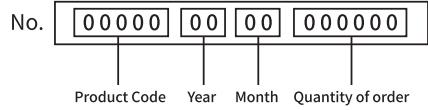
Dispose of waste



Damaged power tools, batteries, accessories and waste packaging materials must be recycled and reused in an environmentally friendly manner.

Do not throw power tools and accumulators / batteries into general household waste!

Product serial number interpretation serial number



The date of manufacture of the product is encoded in the serial number printed on the body of the tool. The first 2 digits indicate the year of issue, the next 2 digits indicate the month.

Trouble shooting and fault finding

Notes: The following operations must be performed by qualified electricians with valid certifications. Before maintenance, please contact with us for professional suggestion.

Fault symptom	Remedy
<p>Power indicator is not lit, fan is not working, no welding output.</p>	<p>A. Make sure power switch is close. B. Make sure the electric wire net connecting to input cable is working alright C. Heat-sense resistance (4 pieces) is broken. (24V relay has problem) D. Power source board (Bottom board has problem, no DC310V output voltage): Silicon bridge circuit is broken, cable is loosened. Part of board is burnt. Check cable between air switch and the power source board, power board between MOS board. E: Subsidiary power source on the control board has problem. (Contact with dealer or manufacturer.)</p>
<p>Fan is working and abnormal indicator is lit, no welding output.</p>	<p>A. Check if components are poor connects. B. Check if connector of output terminal is break circuit and poor connect. C. Inverter circuit may go wrong; Please disconnect the power supply plug of the main transformer on MOS board (near fan VH-07), then restart the machine. 1) If abnormal indicator is still lit, that means some fieldistors on MOS board are damaged. check and replace it. 2) If abnormal indicator is off: a. Maybe transformer of middle board- is damaged, measure primary inductance volume and Q volume of main transformer by inductance bridge. Primary value is parallel circuit, L=1.2-2.0mH, Q>40 If inductance value and Q value is low, replace it. b. Maybe some of secondary rectifier tube of transformer is broken, check and replace rectifier tube. D. Maybe feedback circuit is open.</p>

TERMS OF WARRANTY SERVICE

To customers (users) of warranty service:

1. This warranty certificate is the only document that confirms your right to free warranty service. If this proof is not presented, no claims will be accepted. Warranty certificates cannot be recovered if lost or damaged.

2. It is required to provide a valid and legal document for purchasing the product. The document must have the name or seal of the sales company; at the same time, state the full model name of the purchased P.I.T. product, the serial number on the nameplate of the fuselage, and the date of purchase, and the required warranty. The whole machine and its accessories.

The warranty period:

1. The warranty period of the product is 12 months from the date of sale. During the warranty period, the service department will eliminate manufacturing defects free of charge and replace the parts that fail due to the manufacturer's fault. In warranty repair, an equivalent operable product is not provided. Replaceable parts become the property of the service provider.

2. The wear degree on the diameter of the motor rotor commutator is less than 0.4 mm (except for brushless motor tools), and the internal damage caused by the quality of the tool belongs to the warranty.

The following situations occur during the warranty period, which is not covered by the warranty:

1. In the absence of any valid legal documents (invoices) such as warranty certificates and warranty cards to prove the date of purchase.

2. Damage caused by natural wear and overload. (For example, motor rotor and stator failure caused by overload, scorching or melting of the primary winding of the welding machine transformer, charging or starting the charging device, melting of internal parts, burning of electronic circuit boards, etc.)

3. The casing and power cord are mechanically damaged, as well as damage caused by corrosive media and high and low temperature, foreign objects entering the ventilation network of the motor, and damage caused by improper storage (corrosion of metal parts);

4. Damage caused by improper carrying, transportation and storage by users.

5. Products that are opened, repaired, replaced or modified by users themselves.

6. Any damage caused by indiscriminate use, beyond the scope of use of the tool, and not in accordance with the instructions for use and maintenance. (see chapter "Safety Precautions" in the manual);

7. The damage caused by the following situations is not guaranteed due to improper use and non-quality problems:

(1) When the power tool is running at high speed, use the braking device to forcibly stop the rotation.

(2) Excessive pressure is applied to the tool during the use of the tool.

(3) Use the tool outside the scope of its purpose and capabilities.

(4) Damage caused by the tool working in a dusty environment for a long time without timely maintenance of the tool.

(5) Change the rotation direction of the work head before the tool stops completely.

(6) Shock the battery or charger and replace the plug of the charger without permission, causing damage to the battery or charger.

(7) Damage caused by two-stroke gasoline tools not being fueled in the correct proportions.

The warranty does not include:

1. Replacement of accessories (accessories and components) such as batteries, discs, blades, drills, chucks, chains, sprockets, collet clamps, guide rails, tension and fastening elements, dresser heads, grinders And belt sander base machine, hexagonal head, etc.;

2. Wearing parts, such as: carbon brushes, transmission belts, seals, protective covers, guide rollers, guide rails, rubber seals, bearings, toothed belts and wheels, shanks, brake belts, starter ratchets and ropes, piston rings Wait.

The above accessories are replaced with paid services during the warranty period;

Русский

Общие указания по технике безопасности для электроинструментов



ПРЕДУПРЕЖДЕНИЕ Прочтите все указания и инструкции по технике безопасности. Несоблюдение указаний и инструкций по технике безопасности может стать причиной поражения электрическим током, пожара и тяжелых травм.

Сохраняйте эти инструкции и указания для будущего использования.

Использованное в настоящих инструкциях и указаниях понятие «электроинструмент» распространяется на электроинструмент с питанием от сети (с сетевым шнуром) и на аккумуляторный электроинструмент (без сетевого шнура).

Безопасность рабочего места

- ▶ Содержите рабочее место в чистоте и хорошо освещенным. Беспорядок или неосвещенные участки рабочего места могут привести к несчастным случаям.
- ▶ Не используйте электроинструменты во взрывоопасных средах, например, в присутствии легковоспламеняющихся жидкостей, газов или пыли. Электроинструменты создают искры, которые могут стать причиной воспламенения пыли или паров.
- ▶ Во время работы электроинструмента не допускайте присутствия детей и других лиц. Отвлечение внимания может привести к потере контроля.

Электробезопасность

- ▶ Штепсельная вилка электроинструмента должна подходить к штепсельной розетке. Ни в коем случае не вносите изменения в штепсельную вилку. Не применяйте переходные штекеры для электроинструментов с защитным заземлением. Неизменные штепсельные вилки и подходящие штепсельные розетки снижают риск поражения электротоком.
- ▶ Предотвращайте телесный контакт с заземленными поверхностями, как то: с трубами, элементами отопления, кухонными плитами и холодильниками. При заземлении Вашего тела повышается риск поражения электротоком.
- ▶ Защищайте электроинструмент от дождя и сырости. Проникновение воды в электроинструмент повышает риск поражения электротоком.

- ▶ Не разрешается использовать шнур не по назначению. Никогда не используйте шнур для транспортировки или подвески электроинструмента, или для извлечения вилки из штепсельной розетки. Защищайте шнур от воздействия высоких температур, масла, острых кромок или подвижных частей электроинструмента. Поврежденный или спутанный шнур повышает риск поражения электротоком.
 - ▶ При работе с электроинструментом под открытым небом применяйте пригодные для этого кабели-удлинители. Применение пригодного для работы под открытым небом кабеля-удлинителя снижает риск поражения электротоком.
 - ▶ Если невозможно избежать применения электроинструмента в сыром помещении, подключайте электроинструмент через устройство защитного отключения. Применение устройства защитного отключения снижает риск электрического поражения.
- ### Безопасность людей
- ▶ Будьте внимательными, следите за тем, что делаете, и продуманно начинайте работу с электроинструментом. Не пользуйтесь электроинструментом в усталом состоянии или под воздействием наркотиков, алкоголя или лекарственных средств. Один момент невнимательности при работе с электроинструментом может привести к серьезным травмам.
 - ▶ Применяйте средства индивидуальной защиты. Всегда носите защитные очки. Использование средств индивидуальной защиты, как то: защитной маски, обуви на нескользящей подошве, защитного шлема или средств защиты органов слуха, в зависимости от вида работы с электроинструментом снижает риск получения травм.
 - ▶ Предотвращайте непреднамеренное включение электроинструмента. Перед тем как подключить электроинструмент к сети и/или к аккумулятору, поднять или переносить электроинструмент, убедитесь, что он выключен. Удержание пальца на выключателе при транспортировке электроинструмента и подключение к сети питания включенного электроинструмента чревато

несчастными случаями.

- ▶ **Убирайте установочный инструмент или гаечные ключи до включения электроинструмента.** Инструмент или ключ, находящийся во вращающейся части электроинструмента, может привести к травмам.
- ▶ **Не принимайте неестественное положение корпуса тела. Всегда занимайте устойчивое положение и сохраняйте равновесие.** Благодаря этому Вы можете лучше контролировать электроинструмент в неожиданных ситуациях.
- ▶ **Носите подходящую рабочую одежду. Не носите широкую одежду и украшения. Держите волосы и одежду вдали от подвижных деталей.** Широкая одежда, украшения или длинные волосы могут быть затянuty вращающимися частями.
- ▶ **При наличии возможности установки пылеотсасывающих и пылесборных устройств проверяйте их присоединение и правильное использование.** Применение пылеотсоса может снизить опасность, создаваемую пылью.
- ▶ **Хорошее знание электроинструментов, полученное в результате частого их использования, не должно приводить к самоуверенности и игнорированию техники безопасности обращения с электроинструментами.** Одно небрежное действие за долю секунды может привести к серьезным травмам.
- ▶ **ВНИМАНИЕ!** В случае возникновения перебора в работе электроинструмента вследствие полного или частичного прекращения энергоснабжения или повреждения цепи управления энергоснабжением установите выключатель в положение Выкл., убедившись, что он не заблокирован (при его наличии). Отключите сетевую вилку от розетки или отсоедините съёмный аккумулятор. Этим предотвращается неконтролируемый повторный запуск.
- ▶ **Квалифицированный персонал** в соответствии с настоящим руководством подразумевает лиц, которые знакомы с регулировкой, монтажом, вводом в эксплуатацию обслуживанием электроинструмента.
- ▶ **К работе с электроинструментом допускаются лица не моложе 18 лет, изучившие техническое описание, инструкцию по эксплуатации и правила безопасно-**

сти.

- ▶ **Изделие не предназначено для использования лицами (включая детей) с пониженными физическими, чувственными или умственными способностями или при отсутствии у них жизненного опыта или знаний, если они не находятся под контролем или не проинструктированы об использовании электроинструмента лицом, ответственным за их безопасность.**

Применение электроинструмента и обращение с ним

- ▶ **Не перегружайте электроинструмент. Используйте для работы соответствующий специальный электроинструмент.** С подходящим электроинструментом Вы работаете лучше и надежнее в указанном диапазоне мощности.
- ▶ **Не работайте с электроинструментом при неисправном выключателе.** Электроинструмент, который не поддается включению или выключению, опасен и должен быть отремонтирован.
- ▶ **Перед тем как настраивать электроинструмент, заменять принадлежности или убирать электроинструмент на хранение, отключите штепсельную вилку от розетки сети и/или выньте, если это возможно, аккумулятор.** Эта мера предосторожности предотвращает непреднамеренное включение электроинструмента.
- ▶ **Храните электроинструменты в недоступном для детей месте. Не разрешайте пользоваться электроинструментом лицам, которые не знакомы с ним или не читали настоящих инструкций.** Электроинструменты опасны в руках неопытных лиц.
- ▶ **Тщательно ухаживайте за электроинструментом и принадлежностями. Проверяйте безупречную функцию и ход движущихся частей электроинструмента, отсутствие поломок или повреждений, отрицательно влияющих на функцию электроинструмента. Поврежденные части должны быть отремонтированы до использования электроинструмента.** Плохое обслуживание электроинструментов является причиной большого числа несчастных случаев.
- ▶ **Держите режущий инструмент в за-**

точном и чистом состоянии. Заботливо ухоженные режущие инструменты с острыми режущими кромками режут заклиниваются и их легче вести.

- ▶ **Применяйте электроинструмент, принадлежности, рабочие инструменты и т. п. в соответствии с настоящими инструкциями. Учитывайте при этом рабочие условия и выполняемую работу.** Использование электроинструментов для непредусмотренных работ может привести к опасным ситуациям.
- ▶ **Держите ручки и поверхности захвата сухими и чистыми, следите чтобы на них чтобы на них не было жидкой или консистентной смазки.** Скользкие ручки и поверхности захвата препятствуют безопасному обращению с инструментом и не дают надежно контролировать его в непредвиденных ситуациях.

Инструкции по технике безопасности для сварочного аппарата

- ▶ **Обязательно удостоверьтесь, что электрическая розетка, к которой подключается инвертор заземлена.**
- ▶ **Запрещается прикасаться к оголенным электрическим частям и электроду открытыми частями тела, мокрыми перчатками или одеждой.**
- ▶ **Не начинайте работу пока не убедитесь в том, что вы изолированы от земли и от заготовки.**
- ▶ **Убедитесь, что вы находитесь в безопасном положении.**
- ▶ **Не вдыхайте газы, образующиеся при сварке, они вредны для здоровья.**
- ▶ **Необходимо обеспечить достаточную вентиляцию рабочего места или использовать специальные вытяжки для удаления газов, образующихся в процессе проведения сварочных работ.**
- ▶ **Для защиты глаз и тела используйте подходящую защитную маску, светофильтр и защитную одежду.**
- ▶ **Приготовьте подходящую защитную маску или занавеску для защиты смотрящего.**
- ▶ **Не допускайте нахождения на рабочем месте горючих материалов (дерево, бумага, тряпки и т.д.).**
- ▶ **Используйте наушники или другие средства для защиты ушей.**

- ▶ **Предупредите наблюдателя, что шум вреден для слуха.**
- ▶ **Если во время установки и эксплуатации возникнут проблемы, пожалуйста, следуйте этой инструкции по эксплуатации для проверки.**
- ▶ **Если вы не до конца понимаете руководство или не можете решить проблему с инструкцией, вам следует обратиться к поставщикам или в сервисный центр за профессиональной помощью.**
- ▶ **Машина должна эксплуатироваться в сухих условиях с уровнем влажности не более 90%.**
- ▶ **Температура окружающей среды должна быть от -10 до 40 градусов по Цельсию.**
- ▶ **Избегайте сварки на солнце или под каплями воды. Не допускайте попадания воды внутрь машины.**
- ▶ **Избегайте сварки в пыльных местах или в среде с агрессивным газом.**
- ▶ **Избегайте сварки в среде с сильным воздушным потоком.**

Описание продукта и услуг



Прочтите все указания и инструкции по технике безопасности. Углубления в отношении указаний и инструкций по технике безопасности могут стать причиной поражения электрическим током, пожара и тяжелых травм.

Применение по назначению

Инверторный сварочный аппарат предназначен для ручной электродуговой сварки постоянным током покрытым электродом. В электросварочном аппарате используется принцип индуктивности. Индуктивность будет производить огромное изменение напряжения, когда индуктивность включается и выключается. Высоковольтная дуга, генерируемая мгновенным коротким замыканием положительного и отрицательного полюсов, используется для расплавления припоя на сварочном стержне.

Изображенные составные части

Нумерация представленных компонентов выполнена по изображению на странице с иллюстрациями.

- 1 Силовой разъем «+»
- 2 Силовой разъем «-»
- 3 Регулятор сварочного тока
- 4 Индикатор защиты
- 5 Цифровой дисплей амперметра

- 6 Вход кабеля питания
- 7 Кнопка питания
- 8 Вентилятор охлаждения

Технические характеристики

Модель	PMI220-C2
Номинальное напряжение / частота	190-250 В / 50 Гц
Номинальная мощность	5800 Вт
Диаметр электродов	Ø1.6-3.2 mm (1/16"-1/8")
Сварочный ток	10-220 А
Вес	4,5 кг

Комплект поставки

- Инверторный сварочный аппарат 1 шт
- Кабель с электрододержателем 1 шт
- Кабель с клеммой заземления 1 шт
- Руководство по эксплуатации 1 шт

Примечание

В тексте и цифровых обозначениях инструкции могут быть допущены технические ошибки и опечатки.

Так как инструмент P.I.T. постоянно совершенствуется, компания оставляет за собой право вносить изменения в указанные здесь технические характеристики и комплектацию без предварительного уведомления.

Подготовка к работе

Машина оснащена оборудованием для компенсации напряжения питания. Когда напряжение питания колеблется в допустимом диапазоне, он все еще может нормально работать.

При использовании длинного кабеля, чтобы предотвратить падение напряжения, рекомендуется использовать кабель большего сечения. Если кабель слишком длинный, это может повлиять на производительность системы питания. Поэтому мы предлагаем вам использовать настроенную длину.

- ▶ Убедитесь, что вентиляционное отверстие инвертора не заблокировано и не закрыто, чтобы система охлаждения могла работать.
- ▶ Убедитесь, что используемая электрическая сеть имеет провод заземления и что клемма заземления розетки питания надежно подключена.
- ▶ Присоединить к силовым клеммам (1 и 2) аппарата кабель с электрододержателем и кабель заземления в зависимости от требуемой для данной марки элект-

рода полярности.

- ▶ Пожалуйста, обратите внимание на полярность подключения, сварочный аппарат постоянного тока имеет два способа подключения: положительное соединение и отрицательное соединение. Положительное соединение: держатель соединяется с клеммой "-", а заготовка-с клеммой "+". Отрицательное соединение: заготовка с клеммой "-", держатель с клеммой "+". Выберите подходящий способ в соответствии с рабочими требованиями. При неподходящем выборе это приведет к нестабильной дуге, большому количеству брызг и сплианию. Если возникают такие проблемы, пожалуйста, измените полярность подключения.

- ▶ В соответствии с классом входного напряжения подключите кабель питания к блоку питания соответствующего класса напряжения. Убедитесь, что ошибки нет и напряжение источника питания не превышает допустимого диапазона. После выполнения вышеуказанной работы установка завершена и доступна сварка.



Если расстояние между заготовкой и аппаратом слишком велико, а кабели (кабель электрода и кабель заземления) слишком длинные, пожалуйста, выберите кабель большего сечения, чтобы свести к минимуму снижение напряжения.

Эксплуатация

- ▶ Нажмите кнопку питания, на экране амперметра появится установленное текущее значение, и вентилятор начнет работать.
- ▶ Регулятором 3 установите необходимый сварочный ток в соответствии с характеристиками (тип стали, толщина) свариваемых заготовок, диаметром электрода и рекомендациями таблицы.
- ▶ Как правило, сварочный ток соответствует сварочному электроду в соответствии со следующим:

Диаметр электрода, мм	Ток сварки, А.
φ2.5	70-100 А
φ3.2	110-160 А
φ4.0	170-220 А
φ5.0	230-280 А

Внимание! Помните, что характер свароч-

ного шва зависит не только от силы тока, но и от других параметров, таких как диаметр и качество электродов, длина дуги, скорость сварки и положение сварщика, а также от состояния электродов, которые должны храниться в упаковке и быть защищены от сырости.

► Чтобы начать сварку нужно прикоснуться к месту сварки концом электрода, при этом движение руки должно быть похоже на то, каким вы зажигаете спичку. Это и есть правильный метод зажигания дуги.

Внимание! Не стучите электродом по рабочей поверхности при попытках зажечь дугу, так как это может привести к его повреждению и в дальнейшем только затруднит зажигание дуги.

► Как только произойдет зажигание дуги, электрод нужно держать на таком расстоянии от обрабатываемого материала, которое соответствует диаметру электрода. Для получения равномерного шва далее необходимо соблюдать эту дистанцию по возможности постоянной. Также необходимо помнить, что наклон оси электрода должен быть примерно 20-30 градусов.

► Заканчивая сварочный шов, отведите электрод немного назад, чтобы заполнился сварочный кратер, а затем резко поднимите его до исчезновения дуги.

► Если во время работы сработала тепловая защита (включился индикатор 4), аппарат автоматически отключается. Необходимо выключить аппарат на 20 минут, для того чтобы он остыл, и после этого можно продолжить работу.

Нормы безопасности

Сварочный аппарат оборудован схемой защиты от перенапряжения, перегрузки по току и перегрева. Когда напряжение, выходной ток и температура аппарата превышают требуемый стандарт, сварочный аппарат автоматически прекращает работу. Однако чрезмерное использование (например, перенапряжение) все равно приведет к повреждению сварочного аппарата. Чтобы этого избежать, пользователь должен обратить внимание на следующее.

► **Рабочая зона хорошо вентилируется**
Сварочный аппарат является мощным аппаратом, когда он работает, он генерирует высокие токи, а естественная вентиляция не удовлетворяет потреб-

ности аппарата в охлаждении. Поэтому, внутри инвертора установлен вентилятор для охлаждения. Убедитесь, что воздухозаборник не заблокирован и не закрыт, доступ к прибору должен быть как минимум 0,3 метра с каждой стороны. Пользователь должен убедиться, что рабочая зона хорошо вентилируется. Это важно для производительности и долговечности машины.

► Не перегружайте аппарат

Оператор должен помнить о необходимости следить за максимальным рабочим током (в соответствии с выбранным рабочим циклом). Следите, чтобы сварочный ток не превышал максимальный рабочий ток. Ток перегрузки повредит и сожжет машину.

► Отсутствие перенапряжения

► Напряжение питания можно найти в таблице основных технических данных. Автоматическая схема компенсации напряжения обеспечит поддержание сварочного тока в допустимом диапазоне. Если напряжение питания превышает допустимый диапазон, ограниченный, это приведет к повреждению компонентов машины. Оператор должен понять эту ситуацию и принять превентивные меры.

► За сварочным аппаратом находится винт заземления с маркировкой заземления на нем. Перед началом работы корпус аппарата должен быть надежно заземлен кабелем сечением более 6 квадратных миллиметров, чтобы предотвратить статическое электричество и несчастные случаи из-за утечки электричества.

► Если время сварки превысит ограничение рабочего цикла, сварочный аппарат перестанет работать для защиты. Поскольку машина перегрета, переключатель контроля температуры находится в положении 'ВКЛЮЧЕНО', а индикатор горит красным. В этой ситуации вам не нужно вынимать вилку из розетки, чтобы вентилятор охладил машину. Когда индикатор погаснет, а температура снизится до стандартного диапазона, можно снова работать.

Вопросы, возникающие при сварке:

► Сварочные материалы, факторы окру-

жающей среды, источник питания могут повлиять на производительность сварки.

- ▶ Убедитесь в выборе качественного электрода.
- ▶ Если электрод содержит влагу, это приведет к нестабильной дуге, увеличению дефектов сварки и плохому качеству.
- ▶ Если используется удлиненный кабель, это повлияет на выходное напряжение, поэтому, пожалуйста, используйте стандартный кабель.
- ▶ Когда напряжение питания отклоняется от номинального значения, это соответствующим образом влияет на выходной ток; Когда входное напряжение ниже номинального значения, максимальная выходная мощность может быть ниже номинального значения.

Техобслуживание и сервис

Техобслуживание и очистка

- ▶ Все работы по техническому обслуживанию должны проводиться при отключенном от сети кабеле.
- ▶ Перед выполнением любых работ с электроинструментом вытащите вилку из розетки.
- ▶ Регулярно удаляйте пыль сухим и чистым сжатым воздухом. Если сварочный аппарат эксплуатируется в среде с сильным задымлением и загрязненным воздухом, его необходимо чистить не реже одного раза в месяц. Давление сжатого воздуха должно быть в разумных пределах, чтобы предотвратить повреждение мелких и чувствительных компонентов аппарата.
- ▶ Регулярно проверяйте внутреннюю цепь сварочного аппарата и убедитесь, что соединения цепи подключены правильно и плотно (особенно разъем и компоненты). При обнаружении окалины и ржавчины очистите его и снова плотно подсоедините.
- ▶ Не допускайте попадания воды и пара в инвертор. Если это произойдет, просушите его и проверьте изоляцию аппарата.
- ▶ Если сварочный аппарат не будет использоваться в течение длительного времени, его необходимо поместить в упаковочную коробку и хранить в сухом и чистом месте.

Если требуется поменять шнур, во избежание опасности обращайтесь на фирму P.I.T.

или в авторизованную сервисную мастерскую для электроинструментов P.I.T.

Сервис

- ▶ Ремонт вашего электроинструмента поручайте только квалифицированному персоналу и только с применением оригинальных запасных частей. Этим обеспечивается безопасность электроинструмента.

Список авторизованных сервисных центров можно посмотреть на официальном сайте P.I.T. по ссылке: <https://pittools.ru/servises/>

Хранение и транспортировка

Сварочный аппарат следует хранить в закрытых помещениях с естественной вентиляцией при температуре от 0 до +40 °C и относительной влажности воздуха до 80%. Наличие в воздухе паров кислот, щелочей и других агрессивных примесей не допускается.

Транспортировать продукцию можно любым видом закрытого транспорта в упаковке производителя или без нее, с сохранением изделия от механических повреждений, атмосферных осадков.

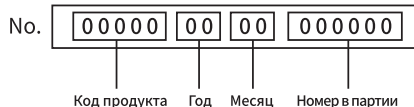
Утилизация



Отслужившие свой срок электроинструменты, принадлежности и упаковку следует сдавать на экологически чистую переработку отходов.

Утилизируйте электроинструмент отдельно от бытового мусора!

Расшифровка Даты Изготовления Изделия



Дата изготовления изделия зашифрована в серийном номере, напечатанном на корпусе инструмента. Первые 2 цифры обозначают год выпуска, следующие 2 цифры – месяц.

Возможные неисправности и методы их устранения

Примечания: Следующие операции должны выполняться квалифицированными электриками с действующими сертификатами. Перед техническим обслуживанием, пожалуйста, свяжитесь с нами для получения профессионального предложения.

Признак неисправности	Возможные причины и действия по устранению
<p>Индикатор питания не горит, вентилятор не работает, сварочный ток отсутствует.</p>	<p>A. Убедитесь, что выключатель питания включен. B. Убедитесь, что электрическая проводная сеть, соединяющая входной кабель, работает нормально. C. Сломан терморезистор (4 шт.). (Реле 24 В неисправно) D. Плата источника питания (проблема на нижней плате, нет выходного напряжения DC310V): Обрыв цепи кремниевого моста, ослабление кабеля. Часть доски обгорела. Проверьте кабель между воздушным переключателем и платой источника питания, плату питания между платой MOS. E: Возникла проблема с дополнительным источником питания на плате управления. (Обратитесь к дилеру или производителю.)</p>
<p>Вентилятор работает, и горит индикатор неисправности, сварочный ток отсутствует.</p>	<p>A. Проверьте, хорошо ли подключены компоненты. B. Убедитесь, что в разьеме выходной клеммы нет обрыва цепи и плохого соединения. C. Схема инвертора может выйти из строя;Пожалуйста, отсоедините шнур питания от главного трансформатора на плате MOS (рядом с вентилятором VH-07), затем перезапустите машину. 1) Если индикатор неисправности все еще горит, это означает, что некоторые полевые резисторы на плате MOS повреждены. проверьте и замените. 2) Если индикатор неисправности не горит: a. Возможно, трансформатор средней платы поврежден, измерьте объем индуктивности первичной обмотки и объем Q основного трансформатора с помощью индуктивного моста. Первичное значение - параллельная цепь, $L = 1,2-2,0$ мГн, $Q > 40$ Если значения индуктивности и добротности низкие, замените их. b. Возможно, что часть вторичной выпрямительной трубки трансформатора сломана, проверьте и замените выпрямительную трубку. D. Возможно, цепь обратной связи разомкнута.</p>

УСЛОВИЯ ГАРАНТИЙНОГО ОБСЛУЖИВАНИЯ

1. Настоящее гарантийное свидетельство является единственным документом, подтверждающим ваше право на бесплатное гарантийное обслуживание. Без предъявления данного свидетельства претензии не принимаются. В случае утери или порчи гарантийное свидетельство не восстанавливается.

2. Гарантийный срок указан в гарантийном сертификате. В течение гарантийного срока сервисная служба бесплатно устраняет производственные дефекты и производит замену деталей, вышедших из строя по вине изготовителя. На период гарантийного ремонта эквивалентный исправный инструмент не предоставляется. Заменяемые детали переходят в собственность служб сервиса.

Компания Р.І.Т. не несет ответственности за вред, который может быть причинен при работе с электроинструментом.

3. В гарантийный ремонт инструмент принимается в чистом виде, при обязательном наличии надлежащим образом оформленных документов: настоящего гарантийного свидетельства, гарантийного талона, с полностью заполненными полями, штампом торговой организации и подписью покупателя.

4. Гарантийный ремонт не производится в следующих случаях:

- при отсутствии гарантийного свидетельства и гарантийного талона или неправильном их оформлении;
- степень износа диаметра коллектора ротора двигателя превышает 0,4 мм (за исключением инструментов с бесщеточным двигателем);
- при совместном выходе из строя якоря и статора электродвигателя, при обугливаниях или оплавлении первичной обмотки трансформатора сварочного аппарата, зарядного или пуско-зарядного устройства, при оплавлении внутренних деталей, прожиге электронных плат и других случаях;
- если гарантийное свидетельство или талон не принадлежат данному электроинструменту или не соответствует установленному поставщиком образцу;
- по истечении срока гарантии;
- при попытках самостоятельного вскрытия или ремонта электроинструмента вне гарантийной мастерской;

- внесения конструктивных изменений и смазки инструмента в гарантийный период, о чем свидетельствуют, например, заломы на шлицевых частях крепежа корпусных деталей;

- при использовании электроинструмента в производственных или иных целях, связанных с получением прибыли, а также при возникновении неисправностей связанных с нестабильностью параметров электросети, превышающих нормы, установленные ГОСТ;

- при неправильной эксплуатации, использованию электроинструмента не по назначению, указанному в инструкции по эксплуатации, указавши на электроинструмент не предназначенных заводом-изготовителем насадок, дополнительных приспособлений и т.п.;

- при механических повреждениях корпуса, сетевого шнура и при повреждениях, вызванных воздействиями агрессивных средств и высоких и низких температур, попадании инородных предметов в вентиляционные решетки электроинструмента, а также при повреждениях, наступивших в результате неправильного хранения (коррозия металлических частей);

- при естественном износе деталей электроинструмента, в результате длительной эксплуатации (определяется по признакам полной или частичной выработки ресурса, сильного загрязнения, ржавчины снаружи и внутри электроинструмента, отработанной смазки в редукторе);

- при возникновении повреждений в связи с несоблюдением предусмотренных инструкцией условий эксплуатации (см. главу «Указание по технике безопасности» в инструкции).

- при повреждении изделия вследствие несоблюдения правил хранения и транспортировки;

- при сильном внутреннем загрязнении инструмента;

- при работе с перегрузкой бензоинструмента, изменении цвета чашки и муфты сцепления в результате перегрева;

- при обрыве шнура стартера при условии исправности остальных деталей пускового устройства;

- на все виды работ, выполняемые при периодическом техническом обслуживании (регулировки, чистке, замене расходных материалов и др.);

- на неисправности, возникшие в резуль-

тате нарушения требований и правил эксплуатации, установленным паспортом изделия. Например, перегрев изделия, несоблюдение требований к составу и качеству топливной смеси, повлекших выход из строя поршневой группы (безусловным признаком этого является залегание поршневого кольца и/или наличие царапин и потертостей на внутренней поверхности цилиндра и поверхности поршня, разрушение или оплавление опорных подшипников шатуна и поршневого пальца);

- на внешние и внутренние загрязнения, царапины, трещины, повреждения, возникшие в процессе эксплуатации или транспортировки.

- при работе электроинструментом с перегрузкой и заклиниванием оснастки, о чем свидетельствуют задиры, изменение цвета от температуры упорных и прижимных шайб, зажимного патрона, выхода из строя редуктора.

Профилактическое обслуживание электроинструмента (чистка, промывка, смазка, замена пыльников, поршневых и уплотнительных колец) в гарантийный период является платной услугой.

Срок службы изделия составляет 3 года.

Срок хранения – 2 года. Не рекомендуется к эксплуатации по истечении 2 лет хранения с даты изготовления, которая указана в серийном номере на этикетке инструмента, без предварительной проверки (определение даты выпуска смотрите ранее в Руководстве пользователя).

О возможных нарушениях, изложенных выше условий гарантийного обслуживания, владельцу сообщается после проведения диагностики в сервисном центре. Владелец инструмента доверяет проведение диагностики в сервисном центре в свое отсутствие.

Запрещается эксплуатация электроинструмента при проявлении признаков повышенного нагрева, искрения, а также шума в редукторной части. Для выяснения причин неисправности покупателю следует обратиться в гарантийную мастерскую.

Неисправности, вызванные несвоевременной заменой угольных щеток двигателя, устраняются за счет покупателя.

5.Гарантия не распространяется на:

- сменные принадлежности (аксессуары и оснастка), например: аккумуляторы, диски, ножи, сверла, буры, патроны, цепи, звездочки, цанговые зажимы, шины, элементы

натяжения и крепления, головки триммеров, подошвы шлифовальных и ленточных машин, фильтры, головки шестигранные сменные насадки и т.п.

- быстроизнашивающиеся детали, например: угольные щетки, приводные ремни, сальники, защитные кожухи, направляющие ролики, направляющие, резиновые уплотнения, подшипники, зубчатые ремни и колеса, стволы, ленты тормоза, храповики и тросы стартеров, поршневые кольца и т.п.

Замена их в течение гарантийного срока является платной услугой.

- шнуры питания, в случае повреждения изоляции. В данном случае потребитель должен быть уведомлен и ремонт (услуга платная) должен быть выполнен после согласия потребителя. Если потребитель не согласен на замену, то в любом ремонте этого инструмента будет отказано. Факт отказа должен быть зафиксирован в гарантийном талоне или квитанции сервисного центра и подписан владельцем.

P.I.T. WARRANTY CERTIFICATE

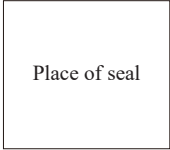
Product Name _____

Product Serial Number

Charger Serial Number

Sale Date _____

Trade Organization Name _____



Dear customer!

Thank you for purchasing the P.I.T. tool, and we hope that you will be satisfied with your choice. In the process of manufacturing the P.I.T. tools pass multilevel quality control, if nevertheless your product will need maintenance, please contact the authorized P.I.T. service centers.

Attention!

When buying, ask a seller to check the completeness and operability of the tool, to fill out the Warranty Certificate, the Warranty Card (the boxes shall be filled out by a seller) and to affix the seal of the trade organization in the Guarantee Certificate and the Warranty Card.

Warranty

By this Warranty Certificate, P.I.T. company guarantees the absence of defects of the production nature.

In the event any of the above defects are detected during the warranty period, the specialized P.I.T. service centers shall repair the product and replace the defective spare parts free of charge.

The warranty period for P.I.T. electric machines is 12 months from the date of sale.

“The warranty maintenance terms acknowledged and accepted. The operability and completeness of the product are checked in my presence. No claims on quality and appearance.”

Buyer's Signature _____ Surname (legibly) _____

Phone _____

ГАРАНТИЙНОЕ СВИДЕТЕЛЬСТВО НА ИНСТРУМЕНТ P.I.T.

Наименование изделия _____

Серийный номер изделия □□□□□□□□□□

Серийный номер зарядного устройства □□□□□□□□□□

Дата продажи « ____ » _____

Наименование торговой организации _____

Уважаемый покупатель!

М.П.

Благодарим Вас за покупку инструмента P.I.T. и надеемся, что Вы останетесь довольны своим выбором.

При необходимости обслуживания Вашего изделия обращайтесь в авторизованные сервисные центры P.I.T. Все сервисные центры представлены на сайте www.pittools.ru

Внимание!

При покупке требуйте у продавца проверки работоспособности инструмента и его комплектности, а также заполнения гарантийного свидетельства, гарантийного талона (графы «Заполняются продавцом») и простановки печати торговой организации в гарантийном свидетельстве и гарантийных талонах.

Гарантия

На основании данного гарантийного свидетельства компания P.I.T. гарантирует отсутствие дефектов производственного характера.

Если в течение гарантийного срока в Вашем изделии обнаружатся указанные дефекты, то специализированные сервисные центры P.I.T. бесплатно отремонтируют изделие и заменят дефектные запасные части.

Гарантийный срок на электроинструменты P.I.T. составляет 12 месяцев со дня продажи.

«С условиями гарантийного обслуживания ознакомлен(а). Работоспособность и комплектность изделия проверены в моем присутствии. Претензий к качеству и внешнему виду не имею».

Подпись покупателя _____ Фамилия (разборчиво) _____

Телефон _____

P.I.T. WARRANTY CARD

Name _____ Serial Number _____ Sale Date _____ 20__ Date of Receipt from Repair _____ 20__	P.I.T.	№ 1
	Name _____	
	Serial Number _____	
	Sale Date _____ 20__	
	Place of Seal	
	(Filled out by a Seller)	
	WARRANTY REPAIR CARD	
	Date of Acceptance for Repair _____ 20__	
	Application for Repair _____	
	Customer _____	
Phone (Address) _____		
Cause of Application _____		
Date of Receipt from Repair _____ 20__		
The Tool is checked in my presence _____		
(The Order shall be performed in a Service Center) (Signature)		

Name _____ Serial Number _____ Sale Date _____ 20__ Date of Receipt from Repair _____ 20__	P.I.T.	№ 2
	Name _____	
	Serial Number _____	
	Sale Date _____ 20__	
	Place of Seal	
	(Filled out by a Seller)	
	WARRANTY REPAIR CARD	
	Date of Acceptance for Repair _____ 20__	
	Application for Repair _____	
	Customer _____	
Phone (Address) _____		
Cause of Application _____		
Date of Receipt from Repair _____ 20__		
The Tool is checked in my presence _____		
(The Order shall be performed in a Service Center) (Signature)		

Name _____ Serial Number _____ Sale Date _____ 20__ Date of Receipt from Repair _____ 20__	P.I.T.	№ 3
	Name _____	
	Serial Number _____	
	Sale Date _____ 20__	
	Place of Seal	
	(Filled out by a Seller)	
	WARRANTY REPAIR CARD	
	Date of Acceptance for Repair _____ 20__	
	Application for Repair _____	
	Customer _____	
Phone (Address) _____		
Cause of Application _____		
Date of Receipt from Repair _____ 20__		
The Tool is checked in my presence _____		
(The Order shall be performed in a Service Center) (Signature)		

ГАРАНТИЙНЫЙ ТАЛОН P.I.T.

P.I.T.

Талон № 1

Наименование _____

Серийный номер _____

Дата продажи « ____ » ____ 20__

(Заполняется продавцом)

КАРТА ГАРАНТИЙНОГО РЕМОНА

Дата приема ремонт ____ 20__

Заявка на ремонт _____

Заказчик _____

Телефон (адрес) _____

Причина обращения _____

Дата получения от ремонта ____ 20__

Инструмент проверен в моем присутствии _____

(Заказ заполняется в Сервисном Центре) (Подпись)

Место печати
или штампа

Наименование _____
 Серийный номер _____
 Дата продажи ____ 20__
 Дата получения от ремонта ____ 20__

P.I.T.

Талон № 2

Наименование _____

Серийный номер _____

Дата продажи « ____ » ____ 20__

(Заполняется продавцом)

КАРТА ГАРАНТИЙНОГО РЕМОНА

Дата приема ремонт ____ 20__

Заявка на ремонт _____

Заказчик _____

Телефон (адрес) _____

Причина обращения _____

Дата получения от ремонта ____ 20__

Инструмент проверен в моем присутствии _____

(Заказ заполняется в Сервисном Центре) (Подпись)

Место печати
или штампа

Наименование _____
 Серийный номер _____
 Дата продажи ____ 20__
 Дата получения от ремонта ____ 20__

P.I.T.

Талон № 3

Наименование _____

Серийный номер _____

Дата продажи « ____ » ____ 20__

(Заполняется продавцом)

КАРТА ГАРАНТИЙНОГО РЕМОНА

Дата приема ремонт ____ 20__

Заявка на ремонт _____

Заказчик _____

Телефон (адрес) _____

Причина обращения _____

Дата получения от ремонта ____ 20__

Инструмент проверен в моем присутствии _____

(Заказ заполняется в Сервисном Центре) (Подпись)


Место печати
или штампа

Наименование _____
 Серийный номер _____
 Дата продажи ____ 20__
 Дата получения от ремонта ____ 20__



P.I.T.

Media account

 [pit_global](#)  [PIT Global](#)  [YouTube](#) [PIT Global](#)

 +7 7073005064 +86 15305798923  bod@pit-tools.com  www.pit-tools.com/