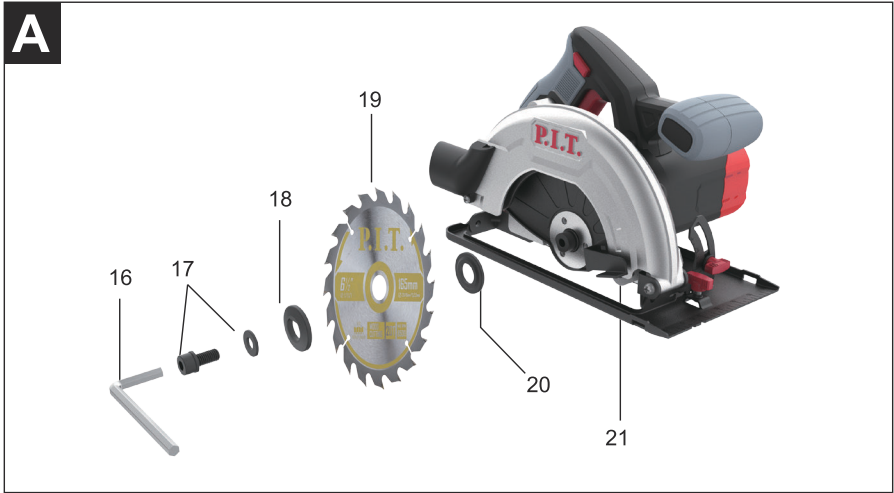
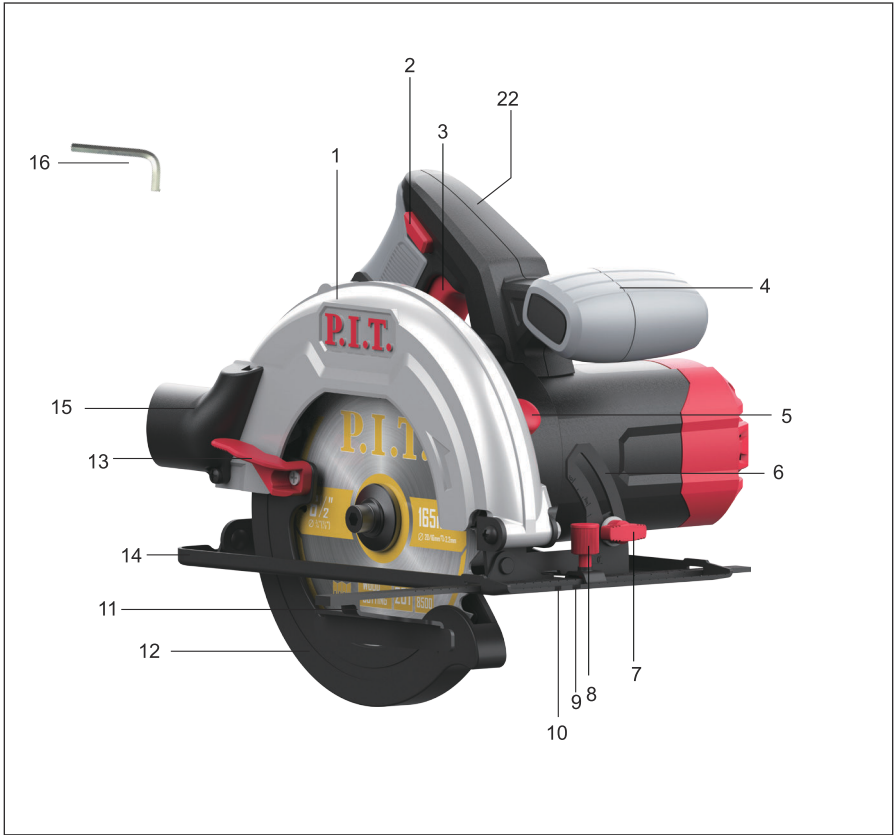


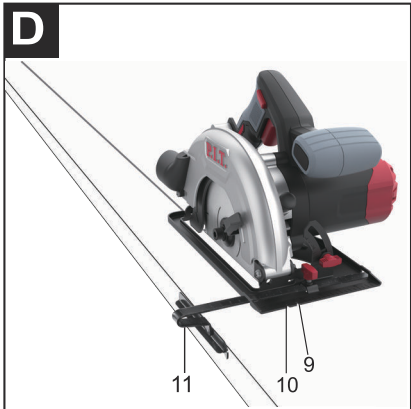
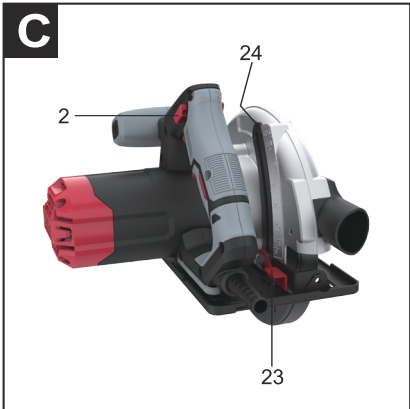
CIRCULAR SAW

**Powerful
Efficient**

Please read the instruction manual carefully before use!
Пожалуйста, внимательно прочтите инструкцию перед использованием!







English

Safety Notes

General Power Tool Safety Warnings



WARNING Read all safety warnings and all instructions.

Failure to follow the warnings and instructions may result in electric shock, fire and/or serious injury.

Save all warnings and instructions for future reference. The term "power tool" in the warnings refers to your mains operated (corded) power tool or battery operated (cord-less) power tool.

Work area safety

- ▶ **Keep work area clean and well-lit.** Cluttered or dark areas invite accidents.
- ▶ **Do not operate power tools in explosive atmospheres, such as in the presence of flammable liquids, gases or dust.** Power tools create sparks which may ignite the dust or fumes.
- ▶ **Keep children and bystanders away while operating a power tool.** Distractions can cause you to lose control.

Electrical safety

- ▶ **Power tool plugs must match the outlet. Never modify the plug in any way. Do not use any adapter plugs with earthed (grounded) power tools.** Unmodified plugs and matching outlets will reduce risk of electric shock.
- ▶ **Avoid body contact with earthed or grounded surfaces, such as pipes, radiators, ranges and refrigerators.** There is an increased risk of electric shock if your body is earthed or grounded.
- ▶ **Do not expose power tools to rain or wet conditions.** Water entering a power tool will increase the risk of electric shock.
- ▶ **Do not abuse the cord. Never use the cord for carrying, pulling or unplugging the power tool. Keep cord away from heat, oil, sharp edges or moving parts.** Damaged or entangled cords increase the risk of electric shock.
- ▶ **When operating a power tool outdoors, use an extension cord suitable for outdoor use.** Use of a cord suitable for outdoor use reduces the risk of electric shock.
- ▶ **If operating a power tool in a damp location is unavoidable, use a residual current device (RCD) protected supply.** Use of an RCD reduces the risk of electric shock.

Personal safety

- ▶ **Stay alert, watch what you are doing and use common sense when operating a power tool. Do not use a power tool while you are tired or under the influence of drugs, alcohol or medication.** A moment of inattention while operating power tools may result in serious personal injury.
- ▶ **Use personal protective equipment. Always wear eye protection.** Protective equipment such as dust mask, non-skid safety shoes, hard hat, or hearing protection used for appropriate conditions will reduce personal injuries.
- ▶ **Prevent unintentional starting. Ensure the switch is in the off-position before connecting to power source and/or battery pack, picking up or carrying the tool.** Carrying power tools with your finger on the switch or energising power tools that have the switch on invites accidents.
- ▶ **Remove any adjusting key or wrench before turning the power tool on.** A wrench or a key left attached to a rotating part of the power tool may result in personal injury.
- ▶ **Do not overreach. Keep proper footing and balance at all times.** This enables better control of the power tool in unexpected situations.
- ▶ **Dress properly. Do not wear loose clothing or jewellery. Keep your hair, clothing and gloves away from moving parts.** Loose clothes, jewellery or long hair can be caught in moving parts.
- ▶ **If devices are provided for the connection of dust extraction and collection facilities, ensure these are connected and properly used.** Use of dust collection can reduce dust related hazards.

Power tool use and care

- ▶ **Do not force the power tool. Use the correct power tool for your application.** The correct power tool will do the job better and safer at the rate for which it was designed.
- ▶ **Do not use the power tool if the switch does not turn it on and off.** Any power tool that cannot be controlled with the switch is dangerous and must be repaired.
- ▶ **Disconnect the plug from the power source and/or the battery pack from the power tool before making any adjustments, changing accessories, or storing power tools.** Such preventive safety

measures reduce the risk of starting the power tool accidentally.

- ▶ **Store idle power tools out of the reach of children and do not allow persons unfamiliar with the power tool or these instructions to operate the power tool.** Power tools are dangerous in the hands of untrained users.
- ▶ **Maintain power tools. Check for misalignment or binding of moving parts, breakage of parts and any other condition that may affect the power tool's operation. If damaged, have the power tool repaired before use.** Many accidents are caused by poorly maintained power tools.
- ▶ **Keep cutting tools sharp and clean.** Properly maintained cutting tools with sharp cutting edges are less likely to bind and are easier to control.
- ▶ **Use the power tool, accessories and tool bits etc. in accordance with these instructions, taking into account the working conditions and the work to be performed.** Use of the power tool for operations different from those intended could result in a hazardous situation.

Safety Warnings for Circular Saws Cutting procedures

- ▶ **DANGER: Keep hands away from cutting area and the blade. Keep your second hand on auxiliary handle, or motor housing.** If both hands are holding the saw, they cannot be cut by the blade.
- ▶ **Do not reach underneath the workpiece.** The guard cannot protect you from the blade below the workpiece.
- ▶ **Adjust the cutting depth to the thickness of the workpiece.** Less than a full tooth of the blade teeth should be visible below the workpiece.
- ▶ **Never hold piece being cut in your hands or across your leg.** Secure the workpiece to a stable platform. It is important to support the work properly to minimize body exposure, blade binding, or loss of control.
- ▶ **Hold the power tool by insulated gripping surfaces only, when performing an operation where the cutting tool may contact hidden wiring or its own cord.** Contact with a "live" wire will also make exposed metal parts of the power tool "live" and could give the operator an electric shock.
- ▶ **When ripping, always use a rip fence or**

straight edge guide. This improves the accuracy of cut and reduces the chance of blade binding.

- ▶ **Always use blades with correct size and shape (diamond versus round) of arbour holes.** Blades that do not match the mounting hardware of the saw will run eccentrically, causing loss of control.
- ▶ **Never use damaged or incorrect blade washers or bolt.** The blade washers and bolt were specially designed for your saw, for optimum performance and safety of operation.
- ▶ **Kickback causes and related warnings**
 - Kickback is a sudden reaction to a pinched, bound or misaligned saw blade, causing an uncontrolled saw to lift up and out of the workpiece toward the operator;
 - When the blade is pinched or bound tightly by the kerf closing down, the blade stalls and the motor reaction drives the unit rapidly back toward the operator;
 - If the blade becomes twisted or misaligned in the cut, the teeth at the back edge of the blade can dig into the top surface of the wood causing the blade to climb out of the kerf and jump back toward the operator.

Kickback is the result of saw misuse and/or incorrect operating procedures or conditions and can be avoided by taking proper precautions as given below.

- ▶ **Maintain a firm grip with both hands on the saw and position your arms to resist kickback forces. Position your body to either side of the blade, but not in line with the blade.** Kickback could cause the saw to jump backwards, but kickback forces can be controlled by the operator, if proper precautions are taken.
- ▶ **When blade is binding, or when interrupting a cut for any reason, release the trigger and hold the saw motionless in the material until the blade comes to a complete stop. Never attempt to remove the saw from the work or pull the saw backward while the blade is in motion or kickback may occur.** Investigate and take corrective actions to eliminate the cause of blade binding.
- ▶ **When restarting a saw in the workpiece, centre the saw blade in the kerf and check that saw teeth are not engaged into the material.** If saw blade is binding, it may walk up or kickback from the workpiece as the saw is restarted.
- ▶ **Support large panels to minimise the**

risk of blade pinching and kickback.

Large panels tend to sag under their own weight. Supports must be placed under the panel on both sides, near the line of cut and near the edge of the panel.

- ▶ **Do not use dull or damaged blades.** Unsharpened or improperly set blades produce narrow kerf causing excessive friction, blade binding and kickback.
- ▶ **Blade depth and bevel adjusting locking levers must be tight and secure before making cut.** If blade adjustment shifts while cutting, it may cause binding and kickback.
- ▶ **Use extra caution when sawing into existing walls or other blind areas.** The protruding blade may cut objects that can cause kickback.

Lower guard function

- ▶ **Check lower guard for proper closing before each use. Do not operate the saw if lower guard does not move freely and close instantly. Never clamp or tie the lower guard into the open position.** If saw is accidentally dropped, lower guard may be bent. Raise the lower guard with the retracting handle and make sure it moves freely and does not touch the blade or any other part, in all angles and depths of cut.
- ▶ **Check the operation of the lower guard spring. If the guard and the spring are not operating properly, they must be serviced before use.** Lower guard may operate sluggishly due to damaged parts, gummy deposits, or a build-up of debris.
- ▶ **Lower guard may be retracted manually only for special cuts such as “plunge cuts” and “compound cuts”.** Raise lower guard by retracting handle and as soon as blade enters the material, the lower guard must be released. For all other sawing, the lower guard should operate automatically.
- ▶ **Always observe that the lower guard is covering the blade before placing saw down on bench or floor.** An unprotected, coasting blade will cause the saw to walk backwards, cutting whatever is in its path. Be aware of the time it takes for the blade to stop after switch is released.

Additional safety warnings

- ▶ **Do not reach into the chip ejector with your hands.** They could be injured by rotating parts.
- ▶ **Do not work overhead with the saw.**

In this manner you do not have sufficient control over the power tool.

- ▶ **Use suitable detectors to determine if utility lines are hidden in the work area or call the local utility company for assistance.** Contact with electric lines can lead to fire and electric shock. Damaging a gas line can lead to explosion. Penetrating a water line causes property damage or may cause an electric shock.
- ▶ **Do not operate the power tool stationary.** It is not designed for operation with a saw table.
- ▶ **Do not use high speed steel (HSS) saw blades.** Such saw blades can easily break.
- ▶ **Do not saw ferrous metals.** Red hot chips can ignite the dust extraction.
- ▶ **When working with the machine, always hold it firmly with both hands and provide for a secure stance.** The power tool is guided more secure with both hands.
- ▶ **Secure the workpiece.** A workpiece clamped with clamping devices or in a vice is held more secure than by hand.
- ▶ **Always wait until the machine has come to a complete stop before placing it down.** The tool insert can jam and lead to loss of control over the power tool.
- ▶ **Products sold in GB only:** Your product is fitted with a BS 1363/A approved electric plug with internal fuse (ASTA approved to BS 1362).

If the plug is not suitable for your socket outlets, it should be cut off and an appropriate plug fitted in its place by an authorised customer service agent. The replacement plug should have the same fuse rating as the original plug.

The severed plug must be disposed of to avoid a possible shock hazard and should never be inserted into a mains socket elsewhere.

Products sold in AUS and NZ only: Use a residual current device (RCD) with a rated residual current of 30 mA or less.

Product Description and Specifications

Read all safety warnings and all instructions. Failure to follow the warnings and instructions may result in electric shock, fire and/or serious injury.

Intended Use

The machine is intended for lengthways and crossways cutting of wood with straight cut-

ting lines as well as mitre cuts in wood while resting firmly on the workpiece. With suitable saw blades, thin-walled non-ferrous metals, e. g., profiles, can also be sawed.

Working ferrous metals is not permitted.

Product Features

The numbering of the product features refers to the illustration of the machine on the graphics page.

1. Protection guard
2. Lock-on button for On/Off switch
3. On/Off switch
4. Auxiliary handle (insulated gripping surface)
5. Spindle lock button
6. Scale for mitre angle
7. Wing screw for tilt adjustment
8. Wing screw for rip fence
9. Mark for the angle of cut at 45 °
10. Mark for the angle of cut at 0 °
11. Rip fence
12. Movable guard
13. Lever for opening the movable guard
14. Base plate
15. Chip ejector
16. Wrench
17. Clamping bolt with washer
18. Clamping flange
19. Saw blade
20. Mounting flange
21. Saw spindle
22. Handle (insulated gripping surface)
23. Clamping lever for cutting-depth preselection
24. Cutting-depth scale

Technical Parameters

Model	PKS165-C
Rated voltage	220 V~/50 Hz
Power	1200 W
Rotating speed	5500 r/min
Saw blade diameter	165 mm(6-1/2")
Cutting depth (Max.)45°/90°	36 / 54 mm
Weight	3.7 kg

Note

Since the product is constantly being improved, P.I.T. reserves the right to make changes to the specifications and product specifications specified here without prior notice.

Contents of delivery

Circular saw	1 pc
Woodworking saw blade	1 pc
Parallel stop	1 pc
Wrench	1 pc
Chip ejector	1 pc
Instruction manual	1 pc

Assembly

Mounting/Replacing the Saw Blade

Before any work on the machine itself, pull the mains plug.

- ▶ **When mounting the saw blade, wear protective gloves.** Danger of injury when touching the saw blade.
- ▶ **Only use saw blades that correspond with the characteristic data given in the operating instructions.**
- ▶ **Do not under any circumstances use grinding discs as the cutting tool.**

Removal of the Saw Blade (see figure A)

For changing the cutting tool, it is best to place the machine on the face side of the motor housing.

- Press the spindle lock button and keep it pressed.

The spindle lock button may be actuated only when the saw spindle is at a standstill. Otherwise, the power tool can be damaged.

- Use the supplied wrench to remove the screw that secures the drive.
- Tilt back the retracting blade guard and hold firmly.
- Remove the clamping flange and the saw blade from the saw spindle.

Mounting the Saw Blade (see figure A)

For changing the cutting tool, it is best to place the machine on the face side of the motor housing.

- Clean the saw blade and all clamping parts to be assembled.
- Tilt back the retracting blade guard and hold firmly.
- Place the saw blade on to the mounting flange. The cutting direction of the teeth (direction or arrow on saw blade) and the direction of rotation arrow on the blade guard must correspond.
- Mount the clamping flange and screw in the clamping bolt turning in rotation direction. Observe correct mounting position of mounting flange and clamping flange.

- Press the spindle lock button and keep it pressed.
- With the wrench, tighten the clamping bolt turning in rotation direction. The tightening torque is between 10–12 Nm, which corresponds to hand tight plus ¼ turn.

Dust/Chip Extraction

- ▶ **Before any work on the machine itself, pull the mains plug.**
- ▶ Dust from materials such as lead-containing coatings, some wood types, minerals and metal can be harmful to one's health. Touching or breathing-in the dust can cause allergic reactions and/or lead to respiratory infections of the user or bystanders.

Certain dust, such as oak or beech dust, is considered carcinogenic, especially in connection with wood-treatment additives (chromate, wood preservative). Materials containing asbestos may only be worked by specialists.

- As far as possible, use a dust extraction system suitable for the material.
- Provide for good ventilation of the working place.
- It is recommended to wear a P2 filter-class respirator. Observe the relevant regulations in your country for the materials to be worked.
- ▶ **Prevent dust accumulation at the workplace. Dust can easily ignite.**

Operation

Operating Modes

- ▶ **Before any work on the machine itself, pull the mains plug.**

Adjusting the Cutting Depth (see figure C)

- ▶ **Adjust the cutting depth to the thickness of the workpiece. Less than a full tooth of the blade teeth should be visible below the workpiece.**

Loosen the clamping lever. For a smaller cutting depth, pull the saw away from the base plate; for a larger cutting depth, push the saw toward the base plate. Adjust the desired cutting depth at the cutting depth scale. Tighten the clamping lever again.

The tightening tension of the clamping lever can be readjusted. For this, unscrew the clamping lever, and screw it back again turned offset by at least 30° in anticlockwise direction.

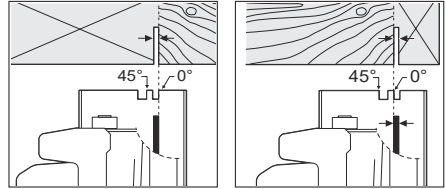
Adjusting the Cutting Angle

It is best to place the machine on the face side of the blade guard.

Loosen the wing bolts and. Tilt the saw side-wards. Adjust the desired measure on the scale. Tighten the wing bolts and again.

Note: For bevel cuts, the cutting depth is smaller than the setting indicated on the cutting-depth scale.

Cutting Marks



The 0° cutting mark indicates the position of the saw blade for right-angled cuts. The 45° cutting mark indicates the position of the saw blade for 45° cuts.

For precise cuts, position the circular saw against the workpiece as shown in the figure. It is best to carry out a trial cut.

Starting Operation

- ▶ **Observe correct mains voltage! The voltage of the power source must agree with the voltage specified on the nameplate of the machine.**

Switching On and Off

To start the machine, press the On/Off switch and keep it pressed.

To lock the pressed On/Off switch, push the lock-on button 2 toward the right or left.

To switch off the machine, release the On/Off switch or when it is locked with the lock-on button, briefly press the On/Off switch and then release it.

To save energy, only switch the power tool on when using it.

Working Advice

ATTENTION! To avoid damage to the product and its failure, do not start sawing before the electric motor has reached maximum speed.

Protect saw blades against impact and shock. Guide the machine evenly and with light feed in the cutting direction. Excessive feed significantly reduces the service life of the saw blade and can cause damage to the power tool.

Sawing performance and cutting quality depend essentially on the condition and the tooth form of the saw blade. Therefore, use only sharp saw blades that are suited for the material to be worked.

- ▶ **Before any work on the machine itself, pull the mains plug.**

Sawing Wood

The correct selection of the saw blade depends on the type and quality of the wood and whether lengthway or crossway cuts are required.

When cutting spruce lengthways, long spiral chips are formed.

Beech and oak dusts are especially detrimental to health. Therefore, work only with dust extraction.

Sawing with Parallel Guide (see figure D)

The parallel guide enables exact cuts along a workpiece edge and cutting strips of the same dimension.

Loosen wing bolt and slide the scale of the parallel guide through the guide in the base plate. Adjust the desired cutting width as the scale setting at the respective cutting mark; see Section "Cutting Marks". Tighten wing bolt again.

Maintenance and Service

Maintenance and Cleaning

- ▶ Before any work on the machine itself, pull the mains plug.
- ▶ For safe and proper working, always keep the machine and ventilation slots clean.

Saw blades that are not coated can be protected against corrosion with a thin coat of acid-free oil. Before use, the oil must be removed again, otherwise the wood will become soiled.

Resin and glue residue on the saw blade produces poor cuts. Therefore, clean the saw blade immediately after use.

If you need to change the cord, contact P.I.T. or an Authorized P.I.T. Power Tool Service Center.

Service

- ▶ Have your power tool repaired only by qualified personnel and only with original spare parts. This ensures the safety of the power tool.

The list of authorized service centers can be viewed on the official website of P.I.T. by the link: <https://pittools.ru/services/>


Storage and transportation

Store the instrument in an enclosed area with natural ventilation in its packaging at an air temperature from 0 °C to + 50 °C and an air humidity of no more than 80%.

Products can be transported by any type of closed transport in the manufacturer's packaging or without it, while preserving the product from mechanical damage, atmospheric

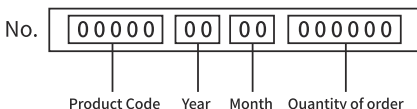
precipitation. Remove the exchange tool from the power tool before transporting it.

Dispose of waste

 Damaged power tools, batteries, accessories and waste packaging materials must be recycled and reused in an environmentally friendly manner.

Do not throw power tools and accumulators / batteries into general household waste!

Product serial number interpretation serial number



The date of manufacture of the product is encoded in the serial number printed on the body of the tool. The first 2 digits indicate the year of issue, the next 2 digits indicate the month.

TERMS OF WARRANTY SERVICE

To customers (users) of warranty service:

1. This warranty certificate is the only document that confirms your right to free warranty service. If this proof is not presented, no claims will be accepted. Warranty certificates cannot be recovered if lost or damaged.
2. It is required to provide a valid and legal document for purchasing the product. The document must have the name or seal of the sales company; at the same time, state the full model name of the purchased P.I.T. product, the serial number on the nameplate of the fuselage, and the date of purchase, and the required warranty. The whole machine and its accessories.

The warranty period:

1. The warranty period of the product is 12 months from the date of sale. During the warranty period, the service department will eliminate manufacturing defects free of charge and replace the parts that fail due to the manufacturer's fault. In warranty repair, an equivalent operable product is not provided. Replaceable parts become the property of the service provider.

2. The wear degree on the diameter of the motor rotor commutator is less than 0.4 mm (except for brushless motor tools), and the internal damage caused by the quality of the tool belongs to the warranty.

The following situations occur during the warranty period, which is not covered by the warranty:

1. In the absence of any valid legal documents (invoices) such as warranty certificates and warranty cards to prove the date of purchase.

2. Damage caused by natural wear and overload. (For example, motor rotor and stator failure caused by overload, scorching or melting of the primary winding of the welding machine transformer, charging or starting the charging device, melting of internal parts, burning of electronic circuit boards, etc.)

3. The casing and power cord are mechanically damaged, as well as damage caused by corrosive media and high and low temperature, foreign objects entering the ventilation network of the motor, and damage caused by improper storage (corrosion of metal parts);

4. Damage caused by improper carrying, transportation and storage by users.

5. Products that are opened, repaired, replaced or modified by users themselves.

6. Any damage caused by indiscriminate use, beyond the scope of use of the tool, and not in accordance with the instructions for use and maintenance. (see chapter "Safety Precautions" in the manual);

7. The damage caused by the following situations is not guaranteed due to improper use and non-quality problems:

(1) When the power tool is running at high speed, use the braking device to forcibly stop the rotation.

(2) Excessive pressure is applied to the tool during the use of the tool.

(3) Use the tool outside the scope of its purpose and capabilities.

(4) Damage caused by the tool working in a dusty environment for a long time without timely maintenance of the tool.

(5) Change the rotation direction of the work head before the tool stops completely.

(6) Shock the battery or charger and replace the plug of the charger without permission, causing damage to the battery or charger.

(7) Damage caused by two-stroke gasoline tools not being fueled in the correct proportions.

The warranty does not include:

1. Replacement of accessories (accessories and components) such as batteries, discs, blades, drills, chucks, chains, sprockets, collet clamps, guide rails, tension and fastening elements, dresser heads, grinders And belt sander base machine, hexagonal head, etc.;

2. Wearing parts, such as: carbon brushes,

transmission belts, seals, protective covers, guide rollers, guide rails, rubber seals, bearings, toothed belts and wheels, shanks, brake belts, starter ratchets and ropes, piston rings Wait.

The above accessories are replaced with paid services during the warranty period;

P.I.T.**Русский**

Указания по технике безопасности
Общие указания по технике безопасности для электроинструментов

**ПРЕДУПРЕЖДЕНИЕ**

Прочтите все указания и инструкции по технике безопасности.

Несоблюдение указаний и инструкций по технике безопасности может стать причиной поражения электрическим током, пожара и тяжелых травм.

Сохраняйте эти инструкции и указания для будущего использования.

Используемое в настоящих инструкциях и указаниях понятие «электроинструмент» распространяется на электроинструмент с питанием от сети (с сетевым шнуром) и на аккумуляторный электроинструмент (без сетевого шнура).

Безопасность рабочего места

- ▶ **Содержите рабочее место в чистоте и хорошо освещенным.** Беспорядок или неосвещенные участки рабочего места могут привести к несчастным случаям.
- ▶ **Не работайте с этим электроинструментом во взрывоопасном помещении, в котором находятся горючие жидкости, воспламеняющиеся газы или пыль.** Электроинструменты искрят, что может привести к воспламенению пыли или паров.
- ▶ **Во время работы с электроинструментом не допускайте близко к Вашему рабочему месту детей и посторонних лиц.** Отвлечшись, Вы можете потерять контроль над электроинструментом.

Электробезопасность

- ▶ **Штепсельная вилка электроинструмента должна подходить к штепсельной розетке.** Ни в коем случае не изменяйте штепсельную вилку. Не применяйте переходные штекеры для электроинструментов с защитным заземлением. Неизменные штепсельные вилки и подходящие штепсельные розетки снижают риск поражения электротоком.
- ▶ **Предотвращайте телесный контакт с заземленными поверхностями, как то: с трубами, элементами отопления, кухонными плитами и холодильниками.** При заземлении Вашего тела повышается риск поражения электротоком.

- ▶ **Защищайте электроинструмент от дождя и сырости.** Проникновение воды в электроинструмент повышает риск поражения электротоком.
- ▶ **Не разрешается использовать шнур не по назначению, например, для транспортировки или подвески электроинструмента, или для вытягивания вилки из штепсельной розетки.** Защищайте шнур от воздействия высоких температур, масла, острых кромок или подвижных частей электроинструмента. Поврежденный или спутанный шнур повышает риск поражения электротоком.
- ▶ **При работе с электроинструментом под открытым небом применяйте пригодные для этого кабели удлинители.** Применение пригодного для работы под открытым небом кабеля удлинителя снижает риск поражения электротоком.
- ▶ **Если невозможно избежать применения электроинструмента в сыром помещении, подключайте электроинструмент через устройство защитного отключения.** Применение устройства защитного отключения снижает риск электрического поражения.

Безопасность людей

- ▶ **Будьте внимательными, следите за тем, что Вы делаете, и продуманно начинайте работу с электроинструментом.** Не пользуйтесь электроинструментом в усталом состоянии или если Вы находитесь в состоянии наркотического или алкогольного опьянения или под воздействием лекарств. Один момент невнимательности при работе с электроинструментом может привести к серьезным травмам.
- ▶ **Применяйте средства индивидуальной защиты и всегда защитные очки.** Использование средств индивидуальной защиты, как то: защитной маски, обуви на нескользящей подошве, защитного шлема или средств защиты органов слуха, – в зависимости от вида работы с электроинструментом снижает риск получения травм.
- ▶ **Предотвращайте непреднамеренное включение электроинструмента.** Перед подключением электроинструмента к электропитанию и/или к аккумулятору убедитесь в выключенном состоянии электроинструмента.

Удержание пальца на выключателе при транспортировке и подключение к сети питания включенного электроинструмента чревато несчастными случаями.

- ▶ **Убирайте установочный инструмент или гаечные ключи до включения электроинструмента.** Инструмент или ключ, находящийся во вращающейся части электроинструмента, может привести к травмам.
- ▶ **Не принимайте неестественное положение корпуса тела. Всегда занимайте устойчивое положение и сохраняйте равновесие.** Благодаря этому Вы можете лучше контролировать электроинструмент в неожиданных ситуациях.
- ▶ **Носите подходящую рабочую одежду. Не носите широкую одежду и украшения. Держите волосы, одежду и рукавицы вдали от движущихся частей.** Широкая одежда, украшения или длинные волосы могут быть затянуты вращающимися частями.
- ▶ **При наличии возможности установки пылеотсасывающих и пылесборных устройств проверяйте их присоединение и правильное использование.** Применение пылесоса может снизить опасность, создаваемую пылью.
- ▶ **Хорошее знание электроинструментов, полученное в результате частого их использования, не должно приводить к самоуверенности и игнорированию техники безопасности обращения с электроинструментами.** Одно небрежное действие за долю секунды может привести к серьезным травмам.
- ▶ **ВНИМАНИЕ!** В случае возникновения перебоя в работе электроинструмента вследствие полного или частичного прекращения энергоснабжения или повреждения цепи управления энергоснабжением установите выключатель в положение Выкл. убедившись, что он не заблокирован (при его наличии). Отключите сетевую вилку от розетки или отсоедините съёмный аккумулятор. Этим предотвращается неконтролируемый повторный запуск.

Применение электроинструмента и обращение с ним

- ▶ **Не перегружайте электроинструмент. Используйте для работы соответствующий специальный электроинструмент.** С подходящим электроинстру-

ментом Вы работаете лучше и надежнее в указанном диапазоне мощности.

- ▶ **Не работайте с электроинструментом при неисправном выключателе.** Электроинструмент, который не поддается включению или выключению, опасен и должен быть отремонтирован.
- ▶ **Перед тем как настраивать электроинструмент, заменять принадлежностей или убирать электроинструмент на хранение, отключите штепсельную вилку от розетки сети и/или выньте, если это возможно, аккумулятор.** Эта мера предосторожности предотвращает непреднамеренное включение электроинструмента.
- ▶ **Храните электроинструменты в недоступном для детей месте.** Не разрешайте пользоваться электроинструментом лицам, которые не знакомы с ним или не читали настоящих инструкций. Электроинструменты опасны в руках неопытных лиц.
- ▶ **Тщательно ухаживайте за электроинструментом и принадлежностями. Проверяйте безупречную функцию и ход движущихся частей электроинструмента, отсутствие поломок или повреждений, отрицательно влияющих на функцию электроинструмента.** Поврежденные части должны быть отремонтированы до использования электроинструмента. Плохое обслуживание электроинструментов является причиной большого числа несчастных случаев.
- ▶ **Держите режущий инструмент в заточенном и чистом состоянии.** Заботливо ухоженные режущие инструменты с острыми режущими кромками режут заклиниваются и их легче вести.
- ▶ **Применяйте электроинструмент, принадлежности, рабочие инструменты и т. п. в соответствии с настоящими инструкциями.** Учитывайте при этом рабочие условия и выполняемую работу. Использование электроинструментов для непредусмотренных работ может привести к опасным ситуациям.
- ▶ **Держите ручки и поверхности захвата сухими и чистыми, следите чтобы на них чтобы на них не было жидкой или консистентной смазки.** Скользкие ручки и поверхности захвата препятствуют безопасному обращению с инструментом и не дают надежно

контролировать его в непредвиденных ситуациях.

Указания по технике безопасности для дисковых пил

Распилка

- ▶ **ОПАСНОСТЬ:** Не подставляйте руки в зону пиления и к пильному диску. Ваша вторая рука должна охватывать дополнительную рукоятку или корпус двигателя. Если Вы обеими руками держите пилу, то пильный диск не может ранить их.
- ▶ Не подставляйте руку под обрабатываемую заготовку. Защитный кожух не может защитить Вашу руку от пильного диска, если она находится под обрабатываемой заготовкой.
- ▶ Глубина резания должна соответствовать толщине детали. Пильный диск не должен выступать за обрабатываемую заготовку более чем на высоту зуба.
- ▶ Никогда не держите заготовку в руках или на коленках во время резания. Надежно крепите обрабатываемую заготовку. Для снижения опасности соприкосновения с телом, заклинивания пильного диска или потери контроля важно хорошо опереть обрабатываемую заготовку.
- ▶ При выполнении работ, при которых рабочий инструмент может задеть скрытую электропроводку или свой собственный шнур питания, держите электроинструмент за изолированные поверхности. Контакт с проводкой под напряжением может привести к заряду открытых металлических частей электроинструмента и привести к поражению электрическим током.
- ▶ При продольном пилении всегда применяйте упор или ровную направляющую. Это улучшает точность резания и снижает возможность заклинивания пильного диска.
- ▶ Всегда используйте пильные диски правильного размера и с подходящим посадочным отверстием (напр., ромбовидной или круглой формы). Пильные диски, не соответствующие крепежным частям пилы, вращаются с биением и ведут к потере контроля над инструментом.
- ▶ Никогда не применяйте поврежденные или неправильные подкладные шайбы и винты. Подкладные шайбы

и винты были специально сконструированы для Вашей пилы и обеспечивают оптимальную производительность и эксплуатационную безопасность.

Причины обратного удара и соответствующие предупредительные указания

- обратный удар – это внезапная реакция пильного диска на заклинивание, зажатие или неправильную установку пильного диска, что приводит к неконтролируемому поднятию пилы, ее выходу из заготовки и движению в сторону оператора;
- если пильный диск застрял или зажат в узкой щели, он блокируется и двигатель отбрасывает пилу со всей силой в направлении оператора;
- если пильный диск перекошен или неправильно установлен в прорези, зубья пильного диска с тыльной стороны могут застревать в поверхности заготовки, что приводит к выбрасыванию пильного диска из прорези и отбрасыванию пилы в направлении оператора.

Обратный удар является следствием неправильного использования пилы или ошибки оператора. Он может быть предотвращен описанными ниже мерами предосторожности.

- ▶ Крепко держите пилу обеими руками и располагайте руки так, чтобы Вы были в состоянии противодействовать силам обратного удара. Стойте всегда сбоку от пильного полотна, не стойте на одной линии с пильным полотном. При обратном ударе пила может отскочить назад, но оператор может подходящими мерами предосторожности противодействовать обратным силам.
- ▶ При заклинивании пильного диска или при перерыве в работе выключайте пилу и спокойно держите ее в заготовке до полной остановки пильного диска. Никогда не пытайтесь вынуть пилу из заготовки или вытянуть ее назад, пока вращается пильный диск, так как при этом может возникнуть обратный удар. Установите и устраните причину заклинивания пильного диска.
- ▶ Если Вы хотите повторно запустить пилу, которая застряла в заготовке, отцентрируйте пильный диск в пропиленой пиле и проверьте возможность его свободного вращения в заготовке.

Если пильный диск заклинило, то при повторном запуске пилы он может быть выброшен из заготовки или вызвать обратный удар.

- ▶ **Большие плиты должны надежно лежать на опоре для снижения опасности обратного удара при заклинивании пильного диска.** Большие плиты прогибаются под собственным весом. Плиты должны лежать на опорах с обеих сторон, как вблизи пропила, так и по краям.
- ▶ **Не применяйте тупые или поврежденные пильные диски.** Пильные диски с тупыми или неправильно разведенными зубьями ведут в результате очень узкого пропила к повышенному трению, заклиниванию диска и к обратному удару.
- ▶ **До начала пиления крепко затяните устройства регулировки глубины и угла пропила.** Их смещение во время пиления может привести к заклиниванию пильного диска и обратному удару.
- ▶ **Будьте особенно осторожны при распиловке в стенах или других непрозрачиваемых участках.** Выступающий пильный диск может врезаться в объекты, что приведет к обратному удару.

Функция нижнего защитного кожуха

- ▶ **Перед каждым применением проверьте защитный кожух на безупречное закрытие. Не пользуйтесь пилой, если движение нижнего защитного кожуха притормаживается и он закрывается с замедлением. Никогда не заклинивайте и не закрепляйте нижний защитный кожух в открытом положении.** При случайном падении пилы на пол, нижний защитный кожух может погнуться. Откройте защитный кожух за рычаг и убедитесь в его свободном движении при любом угле распила и любой глубине пиления без соприкосновения с пильным диском или другими частями.
- ▶ **Проверьте функцию пружины нижнего защитного кожуха. Если защитный кожух и пружина работают неудовлетворительно, то сдайте пилу на техобслуживание перед использованием.** Поврежденные части, клейкие скопления и отложения опилок затормаживают движение нижнего защитного кожуха.
- ▶ **Открывайте нижний защитный кожух**

рукой только при особых способах пиления, как то: пиление с погружением и под углом. Откройте нижний защитный кожух за рычаг и отпустите его, как только пильный диск войдет в заготовку. При всех других работах пилой нижний защитный кожух должен работать автоматически.

- ▶ **Когда кладете пилу на верстак или на пол, нижний защитный кожух должен прикрывать пильный диск.** Незащищенный, вращающийся на выбеге пильный диск двигает пилу против направления реза и пилит все, что стоит на его пути. Учитывайте при этом продолжительность выбега пилы после выключения.

Функция распорного клина(если предусмотрен в конструкции)

- ▶ **При использовании распорного клина применяйте соответствующий пильный диск.** Чтобы распорный клин выполнял свою функцию, полотно пильного диска должно быть тоньше, чем распорный клин, а ширина зубьев диска больше, чем толщина распорного клина.
- ▶ **Отрегулируйте распорный клин, как описано в настоящем руководстве по эксплуатации.** Неправильная толщина, положение и настройка могут стать причиной неэффективности распорного клина при предотвращении обратного удара.
- ▶ **Всегда применяйте распорный клин, за исключением пиления с погружением.** После пиления с погружением поставьте распорный клин на место. При пиления с погружением распорный клин мешает и может вызвать обратный удар.
- ▶ **Чтобы распорный клин выполнял свою функцию, он должен быть вставлен в заготовку.** Распорный клин неэффективен для предотвращения обратного удара при коротких пропилах.
- ▶ **Не работайте с пилой с погнутым распорным клином.** Даже незначительная погрешность может замедлить закрытие защитного кожуха.


Дополнительные указания по технике безопасности

- ▶ **Не вставляйте руки в патрубков для выброса опилок.** Вы можете пораниться вращающимися деталями.
- ▶ **Не работайте пилой над головой.** Иначе Вы не в состоянии достаточным

образом контролировать электроинструмент.

- ▶ **Используйте соответствующие металлоискатели для нахождения скрытых в стене труб или проводки или обращайтесь за справкой в местное коммунальное предприятие.** Контакт с электропроводкой может привести к пожару и поражению электротоком. Повреждение газопровода может привести к взрыву. Повреждение водопровода ведет к нанесению материального ущерба или может вызвать поражение электротоком.
- ▶ **Крепко держите электроинструмент во время работы двумя руками и следите за устойчивым положением тела.** Двумя руками Вы можете более надежно вести электроинструмент.
- ▶ **Не используйте электроинструмент стационарно.** Он не предназначен для применения со столом.
- ▶ **При распиловке с погружением, выполняемой не под прямым углом, зафиксируйте направляющую плиту плиты, чтобы она не сдвинулась в сторону.** Боковое смещение плиты может привести к заклиниванию пильного диска и, таким образом, к обратному удару.
- ▶ **Закрепляйте заготовку.** Заготовка, установленная в зажимное приспособление или в тиски, удерживается более надежно, чем в Вашей руке.
- ▶ **Выждите полной остановки электроинструмента и только после этого выпускайте его из рук.** Рабочий инструмент может заесть, и это может привести к потере контроля над электроинструментом.
- ▶ **Не используйте пильные диски из быстрорежущей стали.** Такие диски могут легко разломаться.
- ▶ **Не распиливайте черные металлы.** Раскаленная стружка может воспламенить патрубков для отсасывания пыли.
- ▶ **Применяйте противопылевой респиратор.**

Описание продукта и услуг

 Прочтите все указания и инструкции по технике безопасности.

Несоблюдение указаний по технике безопасности и инструкций может привести к поражению электрическим током, пожару и/или тяжелым травмам.

Пожалуйста, соблюдайте иллюстрации в

начале руководства по эксплуатации.

Применение по назначению

Настоящий электроинструмент предназначен для выполнения продольных и поперечных прямых резов и резов под углом в древесине.

Распиливать черные металлы не разрешается.

Устройство циркулярной пилы

Общий вид инструмента представлен на странице с иллюстрациями.

- (1) Защитный кожух
- (2) Блокатор выключателя
- (3) Выключатель
- (4) Дополнительная рукоятка
- (5) Кнопка фиксации шпинделя
- (6) Шкала угла распила
- (7) Барашковый винт для настройки угла наклона
- (8) Барашковый винт для параллельного упора
- (9) Метка угла пропила на 45°
- (10) Метка угла пропила на 0°
- (11) Параллельный упор
- (12) Подвижный защитный кожух
- (13) Рычаг для открытия подвижного защитного кожуха
- (14) Опорная плита
- (15) Патрубок для выброса опилок
- (16) Гаечный ключ
- (17) Зажимной винт с шайбой
- (18) Зажимной фланец
- (19) Пильный диск
- (20) Крепежный фланец
- (21) Шпиндель пилы
- (22) Рукоятка (с изолированной поверхностью)
- (23) Зажимной рычаг настройки глубины резания
- (24) Шкала глубины пропила

Технические характеристики

Модель	PKS165-C
Номинальные напряжение/частота	220 В / 50 Гц
Номинальная мощность	1200 Вт
Номинальное число оборотов	5500 об / мин
Диаметр диска наружный	165 мм(6-1/2")
Глубина пропила (макс.) 45° / 90°	36 / 54 мм
Вес	3,7 Кг

Комплект поставки

Пила циркулярная	1 шт
Пильный диск для деревообработки	1 шт
Параллельный упор	1 шт
Ключ	1 шт
Патрубок для выброса опилок	1 шт
Руководство пользователя	1 шт

Примечание

Так как изделие постоянно совершенствуется, P.I.T. оставляет за собой право на внесение изменений в указанные здесь технические характеристики и комплектацию изделия без предварительного уведомления.

Сборка

- ▶ Применяйте только пильные диски с максимальной допустимой скоростью выше скорости холостого хода Вашего электроинструмента.

Установка/смена пильного диска

- ▶ Перед любыми манипуляциями с электроинструментом вытаскивайте штепсель из розетки.
- ▶ При установке пильного диска надевайте защитные перчатки. Прикосновение к пильному полотну может привести к травме.
- ▶ Ни в коем случае не применяйте шлифовальные круги в качестве рабочего инструмента.

Демонтаж пильного диска (см. рис. А)

Для смены рабочего инструмента положите электроинструмент на торцовую сторону корпуса двигателя.

- Нажмите кнопку фиксации шпинделя и удерживайте ее нажатой.
- ▶ Нажимайте на кнопку фиксации шпинделя только при остановленном шпинделе. В противном случае электроинструмент может быть поврежден.
- Прилагаемым ключом отверните винт крепления диска.
- Откиньте маятниковый защитный кожух назад и крепко держите его.
- Снимите прижимной фланец и пильный диск со шпинделя пилы.

Монтаж пильного диска (см. рис. А)

Для смены рабочего инструмента положите электроинструмент на торцовую сторону

корпуса двигателя.

- Очистите пильный диск и все монтируемые зажимные детали.
- Откиньте маятниковый защитный кожух назад и крепко держите его.
- Установите пильный диск на опорный фланец. Направление резания зубьев (стрелка на пильном диске) должно совпадать с направлением стрелки на защитном кожухе.
- Установите зажимной фланец и вкрутите зажимной винт в направлении вращения. Следите за правильным монтажным положением опорного фланца и зажимного фланца.
- Нажмите кнопку фиксации шпинделя и удерживайте ее нажатой.
- Туго затяните с помощью ключа-шестигранника зажимной винт в направлении вращения. Момент затяжки должен составлять 10–12 Н·м, что соответствует затяжке от руки плюс $\frac{1}{4}$ оборота.

Удаление пыли и стружки

Пыль некоторых материалов, как напр., красок с содержанием свинца, некоторых сортов древесины, минералов и металлов, может быть вредной для здоровья.

Прикосновение к пыли и попадание пыли в дыхательные пути может вызвать аллергические реакции и/или заболевания дыхательных путей оператора или находящегося вблизи персонала.

Определенные виды пыли, напр., дуба и бука, считаются канцерогенными, особенно совместно с присадками для обработки древесины (хромат, средство для защиты древесины). Материал с содержанием асбеста разрешается обрабатывать только специалистам.

- По возможности используйте пригодную для материала систему пылеудаления.
- Хорошо проветривайте рабочее место.
- Рекомендуется пользоваться респираторной маской с фильтром класса P2.

Соблюдайте действующие в Вашей стране предписания для обрабатываемых материалов.

- ▶ Избегайте скопления пыли на рабочем месте. Пыль может легко воспламениться.

Работа с инструментом**Режимы работы**

- ▶ Перед любыми манипуляциями с электроинструментом вытаскивайте штепсель из розетки.

Установка глубины пиления**► Устанавливайте глубину пиления в соответствии с толщиной заготовки.**

Пильный диск не должен выступать за обрабатываемую заготовку более чем на высоту зуба.

Отпустите зажимной рычаг. Чтобы уменьшить глубину пропила, отведите пилу от опорной плиты, чтобы увеличить – опустите пилу к опорной плите. Установите желаемый размер по шкале глубины пропила. Снова туго затяните зажимной рычаг.

Силу зажима зажимного рычага можно регулировать. Для этого выкрутите зажимной рычаг и снова вкрутите его со смещением не менее 30° против часовой стрелки.

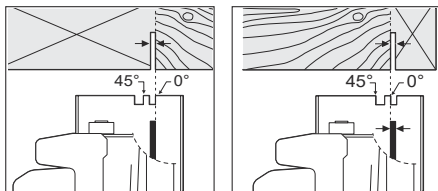
Настройка угла распила

Положите электроинструмент на торцовую сторону защитного кожуха.

Ослабьте барашковые винты и. Поверните пилу в сторону. Установите нужное значение на шкале.

Снова крепко затяните барашковые винты и.

Указание: При косой распиловке глубина пиления меньше, чем значение, указанное на шкале глубины пиления.

Метки угла пропила

Метка линии распила 0° показывает положение пильного диска при распиливании под прямым углом. Метка линии распила 45° показывает положение пильного диска при распиливании под углом 45°.

Для получения точного пропила установите дисковую пилу на заготовке согласно рисунку. Рекомендуется сделать пробный пропил.

Включение электроинструмента

► Примите во внимание напряжение в сети! Напряжение источника питания должно соответствовать данным на заводской табличке электроинструмента.

Включение/выключение

► Убедитесь, что Вы можете приводить в действие

выключатель, не отпуская рукоятки.

Чтобы **включить** электроинструмент, сна-

чала нажмите блокиратор выключателя, а затем нажмите на выключатель и удерживайте его нажатым.

Чтобы **выключить**, отпустите выключатель.

Указание: Из соображений безопасности выключатель не может быть зафиксирован и при работе следует постоянно нажимать на него.

Указания по применению

ВНИМАНИЕ! Во избежание повреждения изделия и выхода его из строя не начинайте пилить до набора электродвигателем максимальных оборотов.

Защищайте пильные диски от ударов.

Ведите электроинструмент равномерно, слегка подталкивая его, в направлении распиловки. Слишком сильная подача значительно сокращает срок службы оснастки и может повредить электроинструмент.

Производительность пиления и качество распила в значительной степени зависят от состояния и формы зубьев пильного диска. Поэтому применяйте только острые и пригодные для обрабатываемого материала пильные диски.

Пиление древесины

Правильный выбор пильного диска зависит от вида и качества древесины, а также от вида пропилов - продольные или поперечные.

При продольном распиливании ели образуется длинная спиралевидная стружка.

Пыль бука и дуба особенно вредна для здоровья, поэтому работайте только с системой пылеудаления.

Распиливание с параллельным упором (см. рис. D)

Параллельный упор обеспечивает возможность точного пиления вдоль края заготовки или распиливания на одинаковые полосы.

Отпустите барашковый винт и вставьте шкалу параллельного упора в направляющую опорной плиты. С помощью соответствующей метки угла пропила или настройте по шкале необходимую ширину распила, см. раздел «Метки угла пропила». Снова крепко затяните барашковый винт.

Техобслуживание и сервис**Техобслуживание и очистка**

► Перед любыми манипуляциями с электроинструментом вытаскивайте штепсель из розетки.

► Для обеспечения качественной и

безопасной работы содержите электроинструмент и вентиляционные прорези в чистоте.

Маятниковый защитный кожух должен всегда свободно двигаться и самостоятельно закрываться. Поэтому всегда держите в чистоте участок вокруг маятниково-защитного кожуха. Удаляйте пыль и стружку кисточкой.

Пильные диски без покрытия можно защитить от коррозии тонким слоем не содержащего кислот масла. Перед работой удалите масло, чтобы древесина не выглядела пятнистой.

Смола или остатки клея на пильном диске отрицательно сказываются на качестве пропила. Поэтому очищайте пильный диск сразу после использования.

Если требуется поменять шнур, обращайтесь на фирму P.I.T или в авторизованную сервисную мастерскую для электроинструментов P.I.T.

Сервис

► Ремонт вашего электроинструмента поручайте только квалифицированному персоналу и только с применением оригинальных запасных частей. Этим обеспечивается безопасность электроинструмента.


Список авторизованных сервисных центров можно посмотреть на официальном сайте P.I.T. по ссылке: <https://pittools.ru/services/>

Хранение и транспортировка

Храните инструмент в закрытых помещениях с естественной вентиляцией в упаковке при температуре воздуха от 0°C до +50°C и влажности воздуха не более 80%.

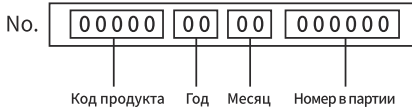
Транспортировать продукцию можно любым видом закрытого транспорта в упаковке производителя или без нее, с сохранением изделия от механических повреждений, атмосферных осадков. Перед транспортировкой извлеките сменный инструмент из электроинструмента.

Утилизация

 Отслужившие свой срок электроинструменты, принадлежности и упаковку следует сдавать на экологически чистую переработку отходов.

Утилизируйте электроинструмент отдельно от бытового мусора!

Расшифровка Даты Изготовления Изделия



Дата изготовления изделия зашифрована в серийном номере, напечатанном на корпусе инструмента. Первые 2 цифры обозначают год выпуска, следующие 2 цифры – месяц.

УСЛОВИЯ ГАРАНТИЙНОГО ОБСЛУЖИВАНИЯ

1. Настоящее гарантийное свидетельство является единственным документом, подтверждающим ваше право на бесплатное гарантийное обслуживание. Без предъявления данного свидетельства претензии не принимаются. В случае утери или порчи гарантийное свидетельство не восстанавливается.

2. Гарантийный срок указан в гарантийном сертификате. В течение гарантийного срока сервисная служба бесплатно устраняет производственные дефекты и производит замену деталей, вышедших из строя по вине изготовителя. На период гарантийного ремонта эквивалентный исправный инструмент не предоставляется. Заменяемые детали переходят в собственность служб сервиса.

Компания P.I.T. не несет ответственности за вред, который может быть причинен при работе с электроинструментом.

3. В гарантийный ремонт инструмент принимается в чистом виде, при обязательном наличии надлежащим образом оформленных документов: настоящего гарантийного свидетельства, гарантийного талона, с полностью заполненными полями, штампом торговой организации и подписью покупателя.

4. Гарантийный ремонт не производится в следующих случаях:

- при отсутствии гарантийного свидетельства и гарантийного талона или неправильном их оформлении;
- степень износа диаметра коллектора ротора двигателя превышает 0,4 мм (за исключением инструментов с бесщеточным двигателем);
- при совместном выходе из строя якоря и статора электродвигателя, при обугливание или оплавлении первичной обмотки транс-

форматора сварочного аппарата, зарядного или пуско-зарядного устройства, при оплавлении внутренних деталей, прожиге электронных плат и других случаях;

- если гарантийное свидетельство или талон не принадлежат данному электроинструменту или не соответствует установленному поставщиком образцу;

- по истечении срока гарантии;

- при попытках самостоятельного вскрытия или ремонта электроинструмента вне гарантийной мастерской;

- внесения конструктивных изменений и смазки инструмента в гарантийный период, о чем свидетельствуют, например, заломы на шлицевых частях крепежа корпусных деталей;

- при использовании электроинструмента в производственных или иных целях, связанных с получением прибыли, а также при возникновении неисправностей связанных с нестабильностью параметров электросети, превышающих нормы, установленные ГОСТ;

- при неправильной эксплуатации, использованию электроинструмента не по назначению, указанному в инструкции по эксплуатации, установки на электроинструмент не предназначенных заводом-изготовителем насадок, дополнительных приспособлений и т.п.;

- при механических повреждениях корпуса, сетевого шнура и при повреждениях, вызванных воздействиями агрессивных средств и высоких и низких температур, попадании инородных предметов в вентиляционные решетки электроинструмента, а также при повреждениях, наступивших в результате неправильного хранения (коррозия металлических частей);

- при естественном износе деталей электроинструмента, в результате длительной эксплуатации (определяется по признакам полной или частичной выработки ресурса, сильного загрязнения, ржавчины снаружи и внутри электроинструмента, отработанной смазки в редукторе);

- при возникновении повреждений в связи с несоблюдением предусмотренных инструкцией условий эксплуатации (см. главу «Указание по технике безопасности» в инструкции).

- при повреждении изделия вследствие несоблюдения правил хранения и транспортировки;

- при сильном внутреннем загрязнении ин-

струмента;

- при работе с перегрузкой бензоинструмента, изменении цвета чашки и муфты сцепления в результате перегрева;

- при обрыве шнура стартера при условии исправности остальных деталей пускового устройства;

- на все виды работ, выполняемые при периодическом техническом обслуживании (регулировки, чистке, замене расходных материалов и др.);

- на неисправности, возникшие в результате нарушения требований и правил эксплуатации, установленным паспортом изделия. Например, перегрев изделия, несоблюдение требований к составу и качеству топливной смеси, повлекших выход из строя поршневой группы (безусловным признаком этого является залегание поршневого кольца и/или наличие царапин и потеростей на внутренней поверхности цилиндра и поверхности поршня, разрушение или оплавление опорных подшипников шатуна и поршневого пальца);

- на внешние и внутренние загрязнения, царапины, трещины, повреждения, возникшие в процессе эксплуатации или транспортировки.

- при работе электроинструментом с перегрузкой и заклиниванием оснастки, о чем свидетельствуют задиры, изменение цвета от температуры упорных и прижимных шайб, зажимного патрона, выхода из строя редуктора.

Профилактическое обслуживание электроинструмента (чистка, промывка, смазка, замена пыльников, поршневых и уплотнительных колец) в гарантийный период является платной услугой.

Срок службы изделия составляет 3 года.

Срок хранения – 2 года. Не рекомендуется к эксплуатации по истечении 2 лет хранения с даты изготовления, которая указана в серийном номере на этикетке инструмента, без предварительной проверки (определение даты выпуска смотрите ранее в Руководстве пользователя).

О возможных нарушениях, изложенных выше условий гарантийного обслуживания, владельцу сообщается после проведения диагностики в сервисном центре. Владелец инструмента доверяет проведение диагностики в сервисном центре в свое отсутствие.

Запрещается эксплуатация электроинструмента при проявлении признаков повы-

шенного нагрева, искрения, а также шума в редукторной части. Для выяснения причин неисправности покупателю следует обратиться в гарантийную мастерскую.

Неисправности, вызванные несвоевременной заменой угольных щеток двигателя, устраняются за счет покупателя.

5.Гарантия не распространяется на:

- сменные принадлежности (аксессуары и оснастка), например: аккумуляторы, диски, ножи, сверла, буры, патроны, цепи, звездочки, цанговые зажимы, шины, элементы натяжения и крепления, головки триммеров, подошвы шлифовальных и ленточных машин, фильтры, головки шестигранные сменные насадки и т.п.

- быстроизнашивающиеся детали, например: угольные щетки, приводные ремни, сальники, защитные кожухи, направляющие ролики, направляющие, резиновые уплотнения, подшипники, зубчатые ремни и колеса, стволы, ленты тормоза, храповики и тросы стартеров, поршневые кольца и т.п.

Замена их в течение гарантийного срока является платной услугой.

- шнуры питания, в случае повреждения изоляции. В данном случае потребитель должен быть уведомлен и ремонт (услуга платная) должен быть выполнен после согласия потребителя. Если потребитель не согласен на замену, то в любом ремонте этого инструмента будет отказано. Факт отказа должен быть зафиксирован в гарантийном талоне или квитанции сервисного центра и подписан владельцем.

ГАРАНТИЙНОЕ СВИДЕТЕЛЬСТВО НА ИНСТРУМЕНТ P.I.T.

Наименование изделия _____

Серийный номер изделия □□□□□□□□□□

Серийный номер зарядного устройства □□□□□□□□□□

Дата продажи « ____ » _____

Наименование торговой организации _____

Уважаемый покупатель!

М.П.

Благодарим Вас за покупку инструмента P.I.T. и надеемся, что Вы останетесь довольны своим выбором.

При необходимости обслуживания Вашего изделия обращайтесь в авторизованные сервисные центры P.I.T. Все сервисные центры представлены на сайте www.pittools.ru

Внимание!

При покупке требуйте у продавца проверки работоспособности инструмента и его комплектности, а также заполнения гарантийного свидетельства, гарантийного талона (графы «Заполняются продавцом») и простановки печати торговой организации в гарантийном свидетельстве и гарантийных талонах.

Гарантия

На основании данного гарантийного свидетельства компания P.I.T. гарантирует отсутствие дефектов производственного характера.

Если в течение гарантийного срока в Вашем изделии обнаружатся указанные дефекты, то специализированные сервисные центры P.I.T. бесплатно отремонтируют изделие и заменят дефектные запасные части.

Гарантийный срок на электроинструменты P.I.T. составляет 12 месяцев со дня продажи.

«С условиями гарантийного обслуживания ознакомлен(а). Работоспособность и комплектность изделия проверены в моем присутствии. Претензий к качеству и внешнему виду не имею».

Подпись покупателя _____ Фамилия (разборчиво)

Телефон _____

P.I.T. WARRANTY CARD

Name _____ Serial Number _____ Sale Date _____ 20__ Date of Receipt from Repair _____ 20__	P.I.T.		№ 1
	Name _____		Place of Seal
	Serial Number _____		
	Sale Date _____ 20__		
	(Filled out by a Seller)		
	WARRANTY REPAIR CARD		
	Date of Acceptance for Repair _____ 20__		
	Application for Repair _____		
	Customer _____		
	Phone (Address) _____		
Cause of Application _____			
Date of Receipt from Repair _____ 20__			
The Tool is checked in my presence _____			
(The Order shall be performed in a Service Center) (Signature)			

Name _____ Serial Number _____ Sale Date _____ 20__ Date of Receipt from Repair _____ 20__	P.I.T.		№ 2
	Name _____		Place of Seal
	Serial Number _____		
	Sale Date _____ 20__		
	(Filled out by a Seller)		
	WARRANTY REPAIR CARD		
	Date of Acceptance for Repair _____ 20__		
	Application for Repair _____		
	Customer _____		
	Phone (Address) _____		
Cause of Application _____			
Date of Receipt from Repair _____ 20__			
The Tool is checked in my presence _____			
(The Order shall be performed in a Service Center) (Signature)			

Name _____ Serial Number _____ Sale Date _____ 20__ Date of Receipt from Repair _____ 20__	P.I.T.		№ 3
	Name _____		Place of Seal
	Serial Number _____		
	Sale Date _____ 20__		
	(Filled out by a Seller)		
	WARRANTY REPAIR CARD		
	Date of Acceptance for Repair _____ 20__		
	Application for Repair _____		
	Customer _____		
	Phone (Address) _____		
Cause of Application _____			
Date of Receipt from Repair _____ 20__			
The Tool is checked in my presence _____			
(The Order shall be performed in a Service Center) (Signature)			

ГАРАНТИЙНЫЙ ТАЛОН P.I.T.

P.I.T.

Талон № 1

Наименование _____

Серийный номер _____

Дата продажи « ____ » _____ 20__

(Заполняется продавцом)

Место печати
или штампа

КАРТА ГАРАНТИЙНОГО РЕМОНА

Дата приема ремонт _____ 20__

Заявка на ремонт _____

Заказчик _____

Телефон (адрес) _____

Причина обращения _____

Дата получения от ремонта _____ 20__

Инструмент проверен в моем присутствии _____

(Заказ заполняется в Сервисном Центре) (Подпись)

Наименование _____
 Серийный номер _____
 Дата продажи _____ 20__
 Дата получения от ремонта _____ 20__

P.I.T.

Талон № 2

Наименование _____

Серийный номер _____

Дата продажи « ____ » _____ 20__

(Заполняется продавцом)

Место печати
или штампа

КАРТА ГАРАНТИЙНОГО РЕМОНА

Дата приема ремонт _____ 20__

Заявка на ремонт _____

Заказчик _____

Телефон (адрес) _____

Причина обращения _____

Дата получения от ремонта _____ 20__

Инструмент проверен в моем присутствии _____

(Заказ заполняется в Сервисном Центре) (Подпись)

Наименование _____
 Серийный номер _____
 Дата продажи _____ 20__
 Дата получения от ремонта _____ 20__

P.I.T.

Талон № 3

Наименование _____

Серийный номер _____

Дата продажи « ____ » _____ 20__

(Заполняется продавцом)

Место печати
или штампа

КАРТА ГАРАНТИЙНОГО РЕМОНА

Дата приема ремонт _____ 20__

Заявка на ремонт _____

Заказчик _____

Телефон (адрес) _____

Причина обращения _____

Дата получения от ремонта _____ 20__


Инструмент проверен в моем присутствии _____

(Заказ заполняется в Сервисном Центре) (Подпись)

Наименование _____
 Серийный номер _____
 Дата продажи _____ 20__
 Дата получения от ремонта _____ 20__



Media account

 [pit_global](#)  [PIT Global](#)  [YouTube](#) [PIT Global](#)

 bod@pit-tools.com  www.pit-tools.com/